

OPERATOR'S MANUAL

# HEAVY OFFSET AGRICULTURAL DISKS

**DH5410-DH5411**

**| DH5412-DH5413-DH5414**

**| DH5510-DH5511-DH5513-DH5514**

**| DH5610-DH5612-DH5613-DH5615**



**FRONTIER™**

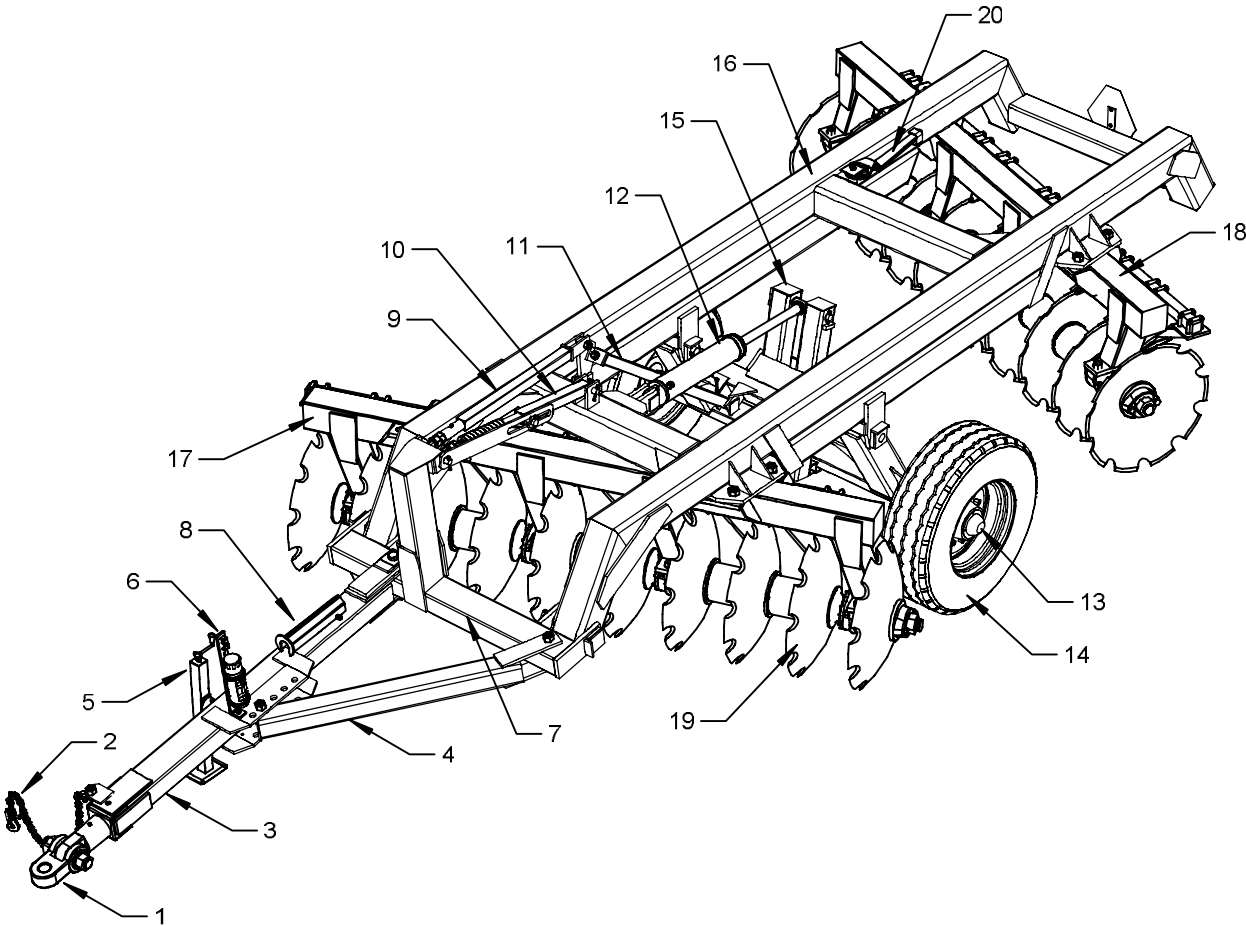
5KB456AGMAN (06July12)

## Contents

Product General Arrangement and Identification	5
General Information	6
Checklists	7
Predelivery Checklist	7
Delivery Checklist	7
After-Sale Checklist	8
Each Day of Operation Checklist	8
Before Each Season Checklist	8
Safety Decal Identification and Placement	9
Safety First Guidelines	10
Attaching the Disk to the Tractor	11
Transporting the Disk	12
Adjusting the Transport Levelling Control Arm	12
Transport Safety	13
Operating Safety	14
Operating the Disk	15
General Operating Guidelines	15
Reposition the Hitch	15
Change the Gang Angles	16
Adjust the Levelling Control Arm	17
Service and Maintenance Safety	18
Lubricate the Disk	19
Check the Oil-Bath Bearings	20
Adjusting the Scrapers	21
Repack and Pre-Load Wheel Hub Bearings	21
Fluid and Fastener Specifications	22
Disc Gang Assembly Axles	22
Fastener Torque Values	22
Oil-Bath Bearing Oil	22
Tire and Wheel Service	22
Keep Gang Assemblies Tight	23
Assembly Safety	24
Assemble the Disk	24
Disk Gang Assembly Procedure	32
Detailed Parts Diagrams	33
Hitch and Side Arm Assembly	34
Bridle and Control Arm Assembly	35
Main Frame and Transport Assembly	36
Gang Bars and Scrapers	37
Gang Assembly – Model DH54xx	38
Gang Assembly – Model DH55xx	39
Gang Assembly – Model DH56xx	40

Oil-Bath Bearing Assembly (Model – DH54xx)	41
Oil-Bath Bearing Assembly (Model – DH55xx)	41
Oil-Bath Bearing Assembly (Model – DH56xx)	42
20” Hydraulic Cylinder (CTD)	43
20” Hydraulic Cylinder (RAM)	44
10 Bolt Hub Assembly	45
Tire and Wheel Assembly	46
Light Kit	47
Decals, Reflectors and Logos	48
Specifications	49
Storage	50

# PRODUCT GENERAL ARRANGEMENT AND IDENTIFICATION



- |                                      |                                    |
|--------------------------------------|------------------------------------|
| 1. Hitch Tongue                      | 11. Bottom Transport Control Arm   |
| 2. Safety Chain                      | 12. Hydraulic Cylinder             |
| 3. Hitch                             | 13. 10-Bolt Hub                    |
| 4. Side Arm                          | 14. Wheel and Tire Assembly        |
| 5. Jack                              | 15. Transport Assembly             |
| 6. Hose Holder & Manual Cannister    | 16. Main Frame                     |
| 7. Bridle                            | 17. Front Gang Bar c/w Scraper Bar |
| 8. Transport Stay (Storage Location) | 18. Rear Gang Bar c/w Scraper Bar  |
| 9. Top Transport Control Arm         | 19. Disc Gang                      |
| 10. Leveling Control Arm             | 20. Gang Wrenches                  |

Thank you so much for reading.  
Please click the “Buy Now!”  
button below to download the  
complete manual.



After you pay.

You can download the most  
perfect and complete manual in  
the world immediately.

Our support email:

[ebooklibonline@outlook.com](mailto:ebooklibonline@outlook.com)