

# BOX BLADES

**BB1048**

**BB1060**

**BB1065**

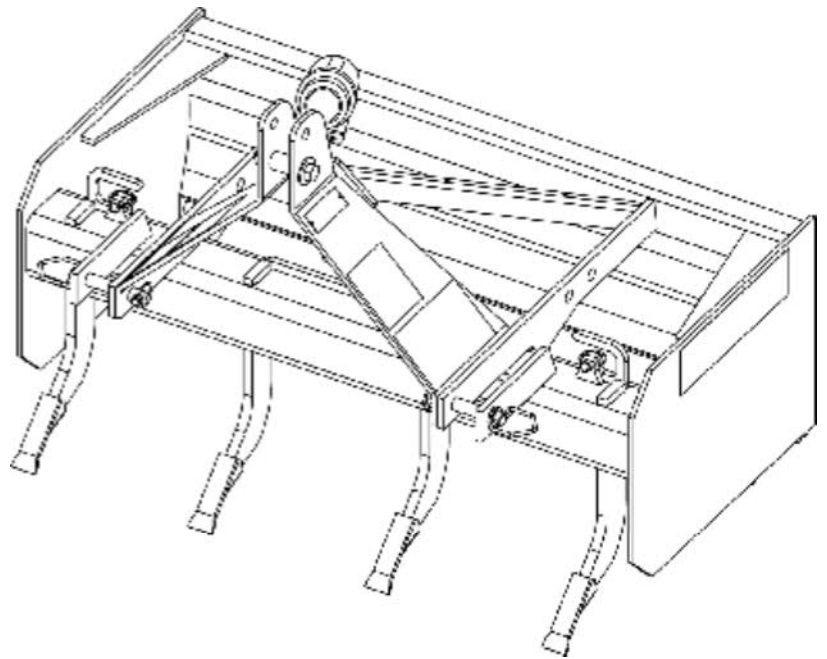
**BB1072**

**BB1160**

**BB1165**

**BB1172**

**BB1184**



**FRONTIER**  
EQUIPMENT™

# TABLE OF CONTENTS

INTRODUCTION .....	INSIDE FRONT COVER
SPECIFICATIONS .....	2
GENERAL INFORMATION .....	2
SAFETY RULES .....	3 - 4
SAFETY DECALS .....	5 - 6
DEALER CHECK LISTS .....	7
OPERATION .....	8 - 9
OWNER SERVICE.....	10 - 11
PARTS LIST.....	12
BOLT TORQUE CHART .....	14
BOLT SIZE CHART & ABBREVIATIONS.....	15
PRODUCT WARRANTY .....	16
REPLACEMENT PARTS WARRANTY .....	INSIDE BACK COVER



**This Operator's Manual should be regarded as part of the machine. Suppliers of both new and second-hand machines must make sure that this manual is provided with the machine.**

Thank you so much for reading.  
Please click the “Buy Now!”  
button below to download the  
complete manual.



After you pay.

You can download the most  
perfect and complete manual in  
the world immediately.

Our support email:

[ebooklibonline@outlook.com](mailto:ebooklibonline@outlook.com)