

O P E R A T O R ' S M A N U A L

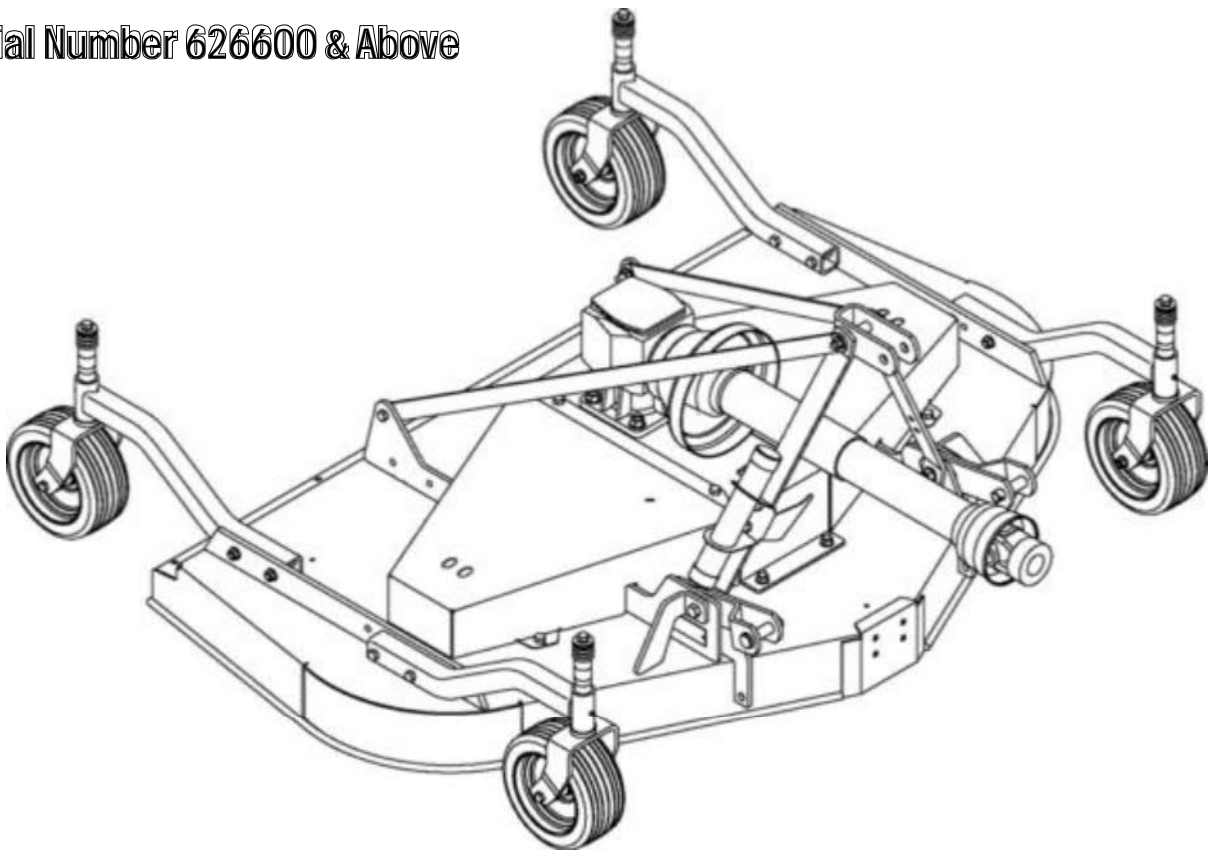
GROOMING MOWERS

GM1060R

GM1072R

GM1084R

Serial Number 626600 & Above



FRONTIER
EQUIPMENT™

TABLE OF CONTENTS

INTRODUCTION	2
SPECIFICATIONS	4
GENERAL INFORMATION	4
SAFETY RULES	5-7
SAFETY DECALS	8-9
OPERATION	10
OWNER SERVICE	16
TROUBLESHOOTING	20
DEALER SERVICE	22
ASSEMBLY	29
DEALER CHECK LISTS	33
PARTS INDEX	35
BOLT TORQUE CHART	44
BOLT SIZE CHART & ABBREVIATIONS	45
INDEX	46
PRODUCT WARRANTY	48
REPLACEMENT PARTS WARRANTY	49

Thank you so much for reading.
Please click the “Buy Now!”
button below to download the
complete manual.



After you pay.

You can download the most
perfect and complete manual in
the world immediately.

Our support email:

ebooklibonline@outlook.com