

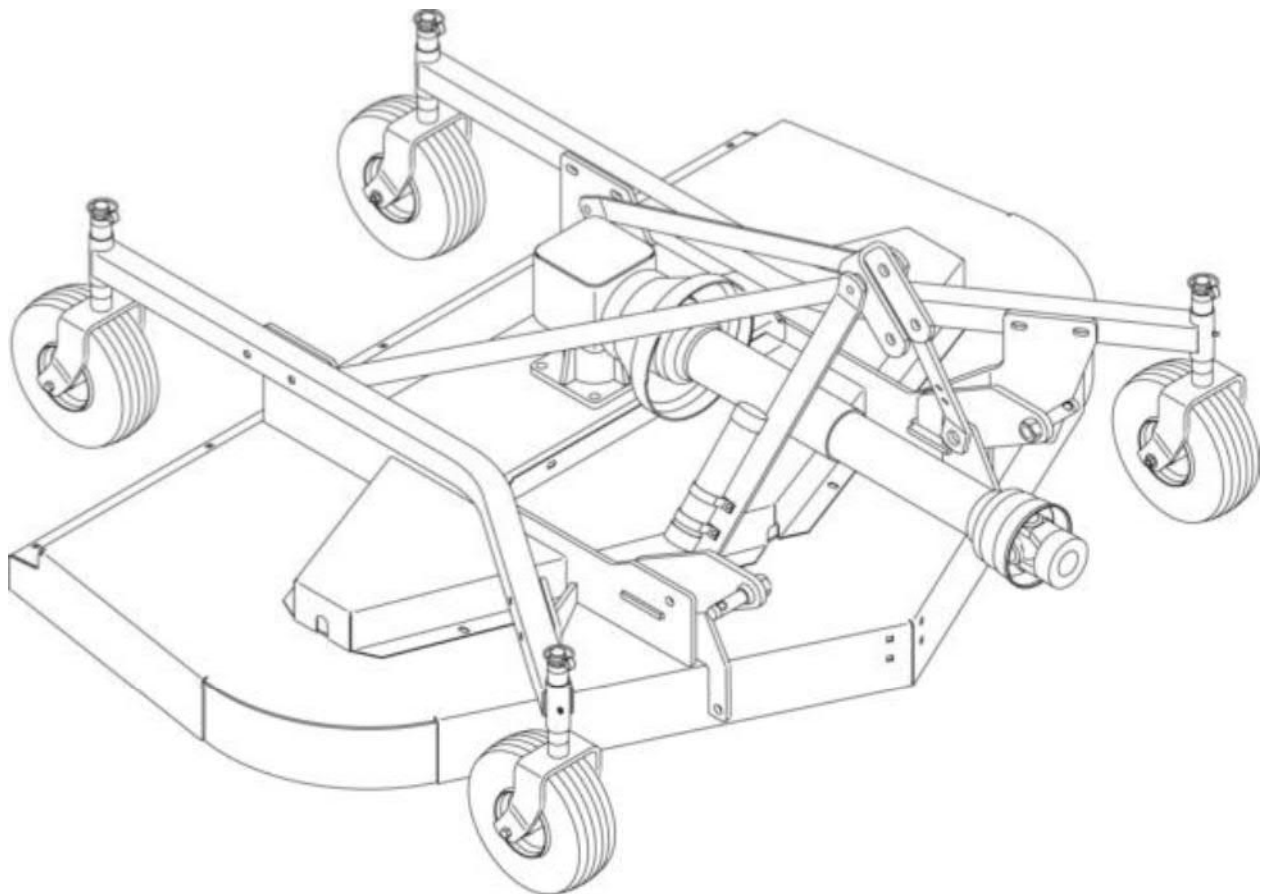
O P E R A T O R ' S M A N U A L

GROOMING MOWERS

GM3054

GM3060

GM3072



FRONTIER
EQUIPMENT™

TABLE OF CONTENTS

INTRODUCTION	2
SPECIFICATIONS	4
GENERAL INFORMATION	4
SAFETY RULES	5
SAFETY DECALS	8
OPERATION	10
OWNER SERVICE	14
TROUBLESHOOTING	18
DEALER SERVICE	20
ASSEMBLY	27
DEALER CHECK LISTS	31
PARTS LISTS	33
BOLT TORQUE CHART	42
BOLT SIZE CHART & ABBREVIATIONS	43
INDEX	44

Thank you so much for reading.
Please click the “Buy Now!”
button below to download the
complete manual.



After you pay.

You can download the most
perfect and complete manual in
the world immediately.

Our support email:

ebooklibonline@outlook.com