

BOX BLADES

BB1354

BB1360

BB1365

BB1372

BB1472

BB1484

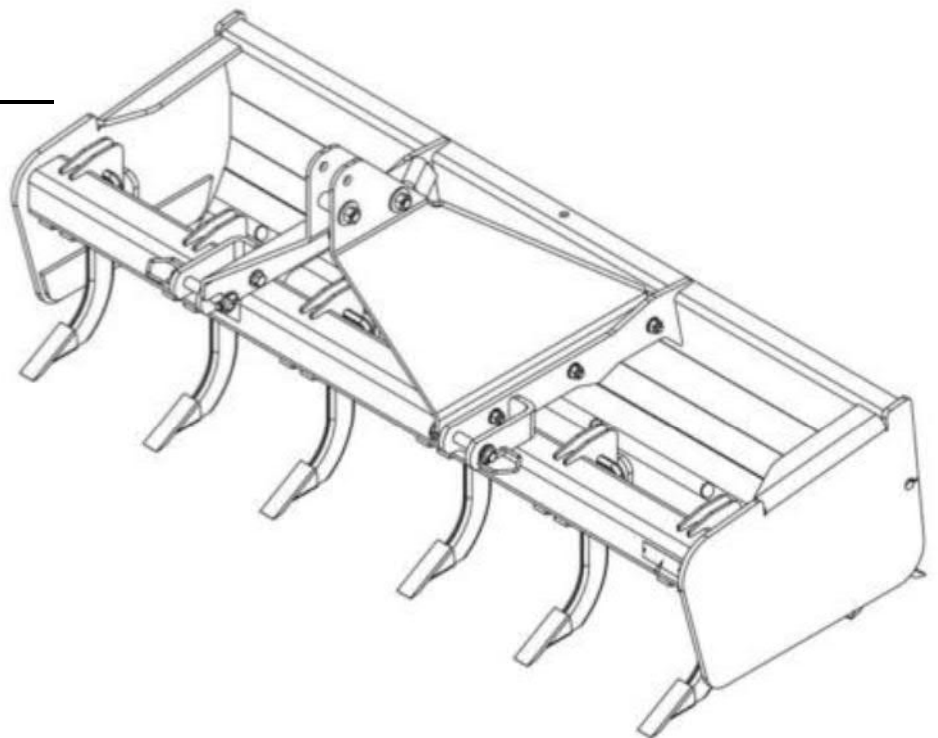


TABLE OF CONTENTS

| | |
|---------------------------------------|---------|
| INTRODUCTION | 2 |
| SPECIFICATIONS | 4 |
| GENERAL INFORMATION | 4 |
| SAFETY RULES | 5 - 6 |
| SAFETY DECALS | 7 - 8 |
| OPERATION | 9 - 11 |
| OWNER SERVICE | 12 - 13 |
| ASSEMBLY | 14 |
| DEALER CHECK LISTS | 15 |
| PARTS LIST | 16 - 17 |
| BOLT TORQUE CHART | 18 |
| BOLT SIZE CHART & ABBREVIATIONS | 19 |

Thank you so much for reading.
Please click the “Buy Now!”
button below to download the
complete manual.



After you pay.

You can download the most
perfect and complete manual in
the world immediately.

Our support email:

ebooklibonline@outlook.com