

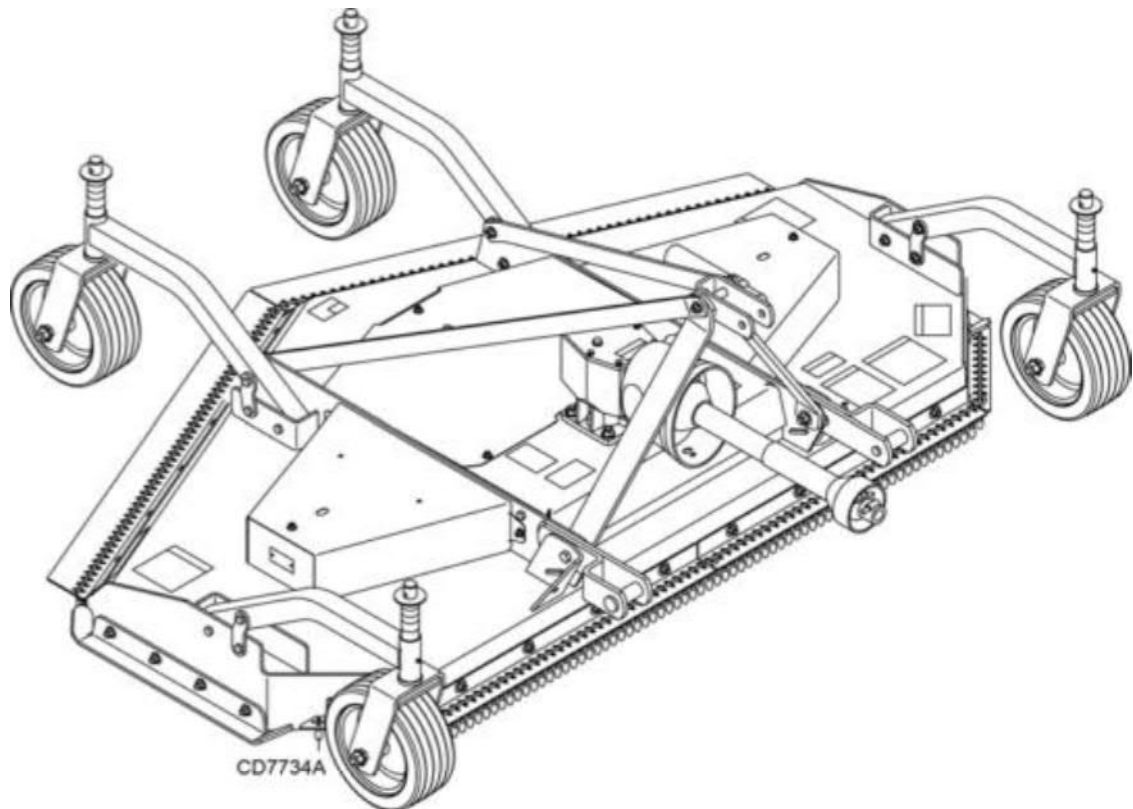
O P E R A T O R ' S M A N U A L

GROOMING MOWERS

GM1190

Rear Discharge

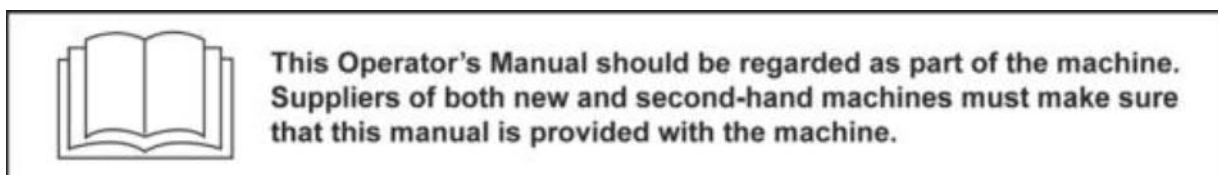
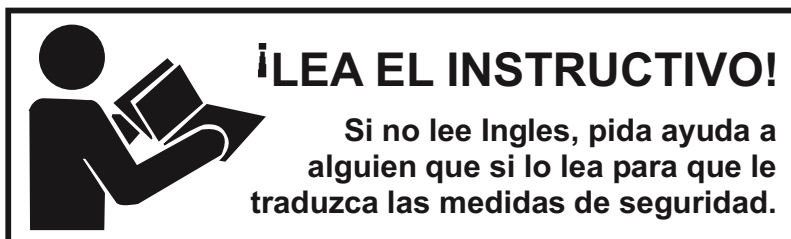
Serial Number 1XFGM11XKB0000121 & Above



FRONTIER

TABLE OF CONTENTS

INTRODUCTION	2
SPECIFICATIONS	4
GENERAL INFORMATION	4
SAFETY RULES	5-7
SAFETY DECALS	8-9
OPERATION	10
OWNER SERVICE	15
TROUBLE SHOOTING	19
DEALER SERVICE	22
ASSEMBLY	29
DEALER CHECK LIST	34
PARTS LISTS	35
BOLT TORQUE CHART	43
BOLT SIZE CHART & ABBREVIATIONS	44
INDEX	45



Thank you so much for reading.
Please click the “Buy Now!”
button below to download the
complete manual.



After you pay.

You can download the most
perfect and complete manual in
the world immediately.

Our support email:

ebooklibonline@outlook.com