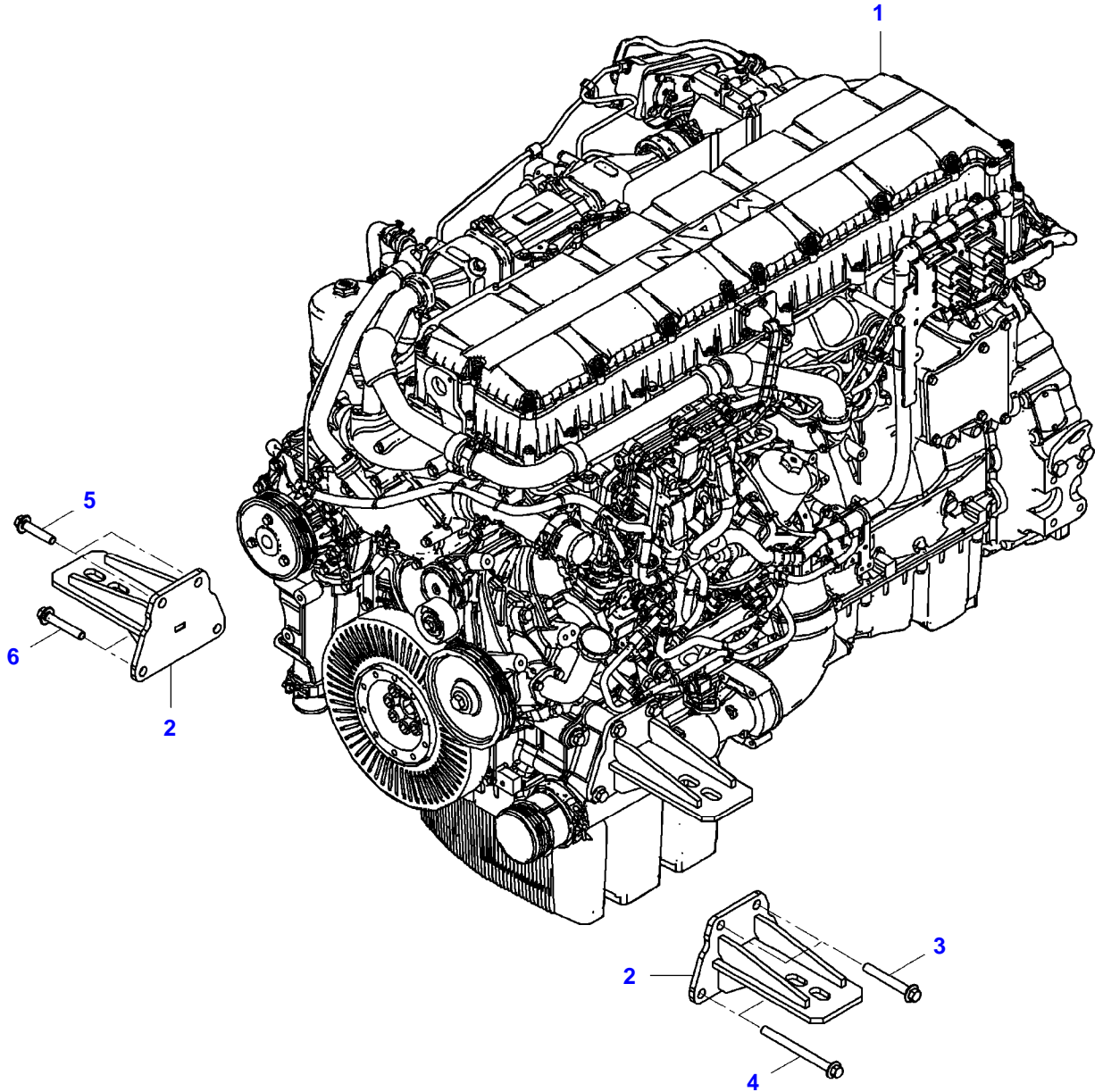


## TABLE OF CONTENT

Page Number	Page Title	Page Reference
01-000-TOC	ENGINE ACW4998690 D3876LE124 (TIER 3 / LRC)	01-000-TOC
02-000-TOC	ENGINE ACW4998670 D3876LE123 (T4F)	02-000-TOC
03-000-TOC	ENGINE ACW4998320 D3876LE125 (STAGE 4)	03-000-TOC
04-000-TOC	ENGINE ACW5251320 D3876LE126 STAGE 5	04-000-TOC
05-000-TOC	ENGINE INSTALLATION	05-000-TOC
06-000-TOC	DRIVE SYSTEM	06-000-TOC
07-000-TOC	AXLES	07-000-TOC
08-000-TOC	STEERING SYSTEM	08-000-TOC
09-000-TOC	DRIVE TRAIN SYSTEM	09-000-TOC
10-000-TOC	BRAKE SYSTEM	10-000-TOC
11-000-TOC	HYDRAULIC SYSTEM	11-000-TOC
12-000-TOC	ELECTRICAL SYSTEM	12-000-TOC
13-000-TOC	CAB	13-000-TOC
14-000-TOC	AIR CONDITIONING AND HEATING SYSTEM	14-000-TOC
15-000-TOC	CHASSIS	15-000-TOC
16-000-TOC	DECALS	16-000-TOC
17-000-TOC	WHEELS	17-000-TOC
18-000-TOC	FEEDING SYSTEM	18-000-TOC
19-000-TOC	THRESHING SYSTEM	19-000-TOC
20-000-TOC	CLEANING SYSTEM	20-000-TOC
21-000-TOC	GRAIN BIN AND ELEVATOR SYSTEM	21-000-TOC
22-000-TOC	DISCHARGE SYSTEM	22-000-TOC
23-000-TOC	PRECISION FARMING SYSTEMS	23-000-TOC
24-000-TOC	ACCESSORIES	24-000-TOC

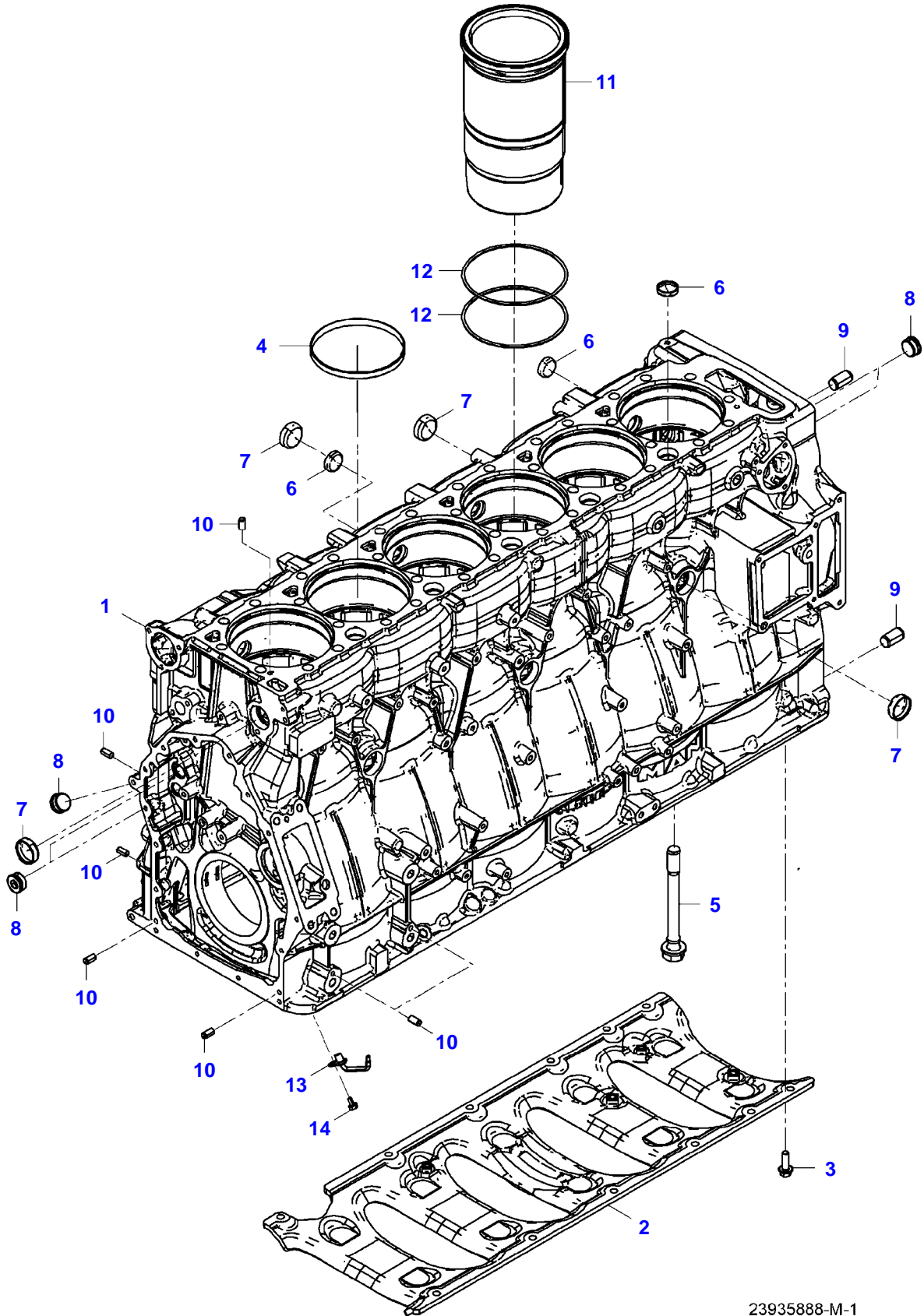
Page Number	Page Title	Page Reference
01-0001	ENGINE - RETAINER MOTORE : TIER 3	1MDL2472366
01-0002	CRANKCASE MOTORE : TIER 3	1MDL2472367
01-0003	TIMING GEARS AND HOUSING MOTORE : TIER 3	1MDL2472368
01-0004	FLYWHEEL AND HOUSING MOTORE : TIER 3	1MDL2472369
01-0005	CRANKSHAFT AND PISTONS MOTORE : TIER 3	1MDL2472370
01-0006	FROM - UP TO ENGINE S/N 56853290115330 - 56853300105330 CRANKSHAFT AND PISTONS MOTORE : TIER 3 FROM ENGINE S/N 56853750015371	1MDL2472751
01-0007	CAMSHAFT AND VALVE MOTORE : TIER 3	1MDL2472371
01-0008	CYLINDER HEAD AND VALVES MOTORE : TIER 3	1MDL2472372
01-0009	VALVE COVER MOTORE : TIER 3	1MDL2472373
01-0010	AIR INTAKE MOTORE : TIER 3	1MDL2472374
01-0011	EXHAUST MANIFOLD MOTORE : TIER 3	1MDL2472375
01-0012	TURBO-CHARGER MOTORE : TIER 3	1MDL2472376
01-0013	EXHAUST GAS RECIRCULATION (EGR) MOTORE : TIER 3 1 OF 2	1MDL2472377
01-0014	EXHAUST GAS RECIRCULATION (EGR) MOTORE : TIER 3 2 OF 2	1MDL2472378
01-0015	OIL PUMP AND SUMP MOTORE : TIER 3	1MDL2472379
01-0016	OIL COOLER AND FILTER MOTORE : TIER 3	1MDL2472380
01-0017	COOLANT PIPING MOTORE : TIER 3	1MDL2472381
01-0018	COOLANT PUMP AND THERMOSTAT MOTORE : TIER 3	1MDL2472382
01-0019	FUEL INJECTION SYSTEM MOTORE : TIER 3	1MDL2472383
01-0020	FUEL FILTERS MOTORE : TIER 3	1MDL2472384
01-0021	ELECTRONIC ENGINE MANAGEMENT - SENSOR MOTORE : TIER 3	1MDL2472385
01-0022	ELECTRONIC ENGINE MANAGEMENT - WIRING HARNESS MOTORE : TIER 3	1MDL2472386
01-0023	ELECTRONIC ENGINE MANAGEMENT - SUPPORT BRACKET MOTORE : TIER 3	1MDL2472387
01-0024	WIRING HARNESS - INJECTOR MOTORE : TIER 3	1MDL2472388
01-0025	BELT TENSIONER MOTORE : TIER 3	1MDL2472389
01-0026	ENGINE GASKETS SETS MOTORE : TIER 3	1MDL2472390
01-0027	SPECIAL OVERHAUL PARTS MOTORE : TIER 3	1MDL2472391



23935880-M-1

Item	Part Number	Qty	Description Comments	Technical Specification
<b>ENGINE : TIER 3</b>				
1	ACW4998690	1	ENGINE	15.2L T3
2	ACP0406410	2	ENGINE SUPPORT	
3	ACP0357430	2	HEX FLANGE CAPSCREW	M14X105-10.9
4	ACP0357420	2	HEX FLANGE CAPSCREW	M14X160-10.9
5	ACP0357410	2	HEX FLANGE CAPSCREW	M14X65-10.9
6	72624253	2	HEX FLANGE CAPSCREW	M14X80-10.9

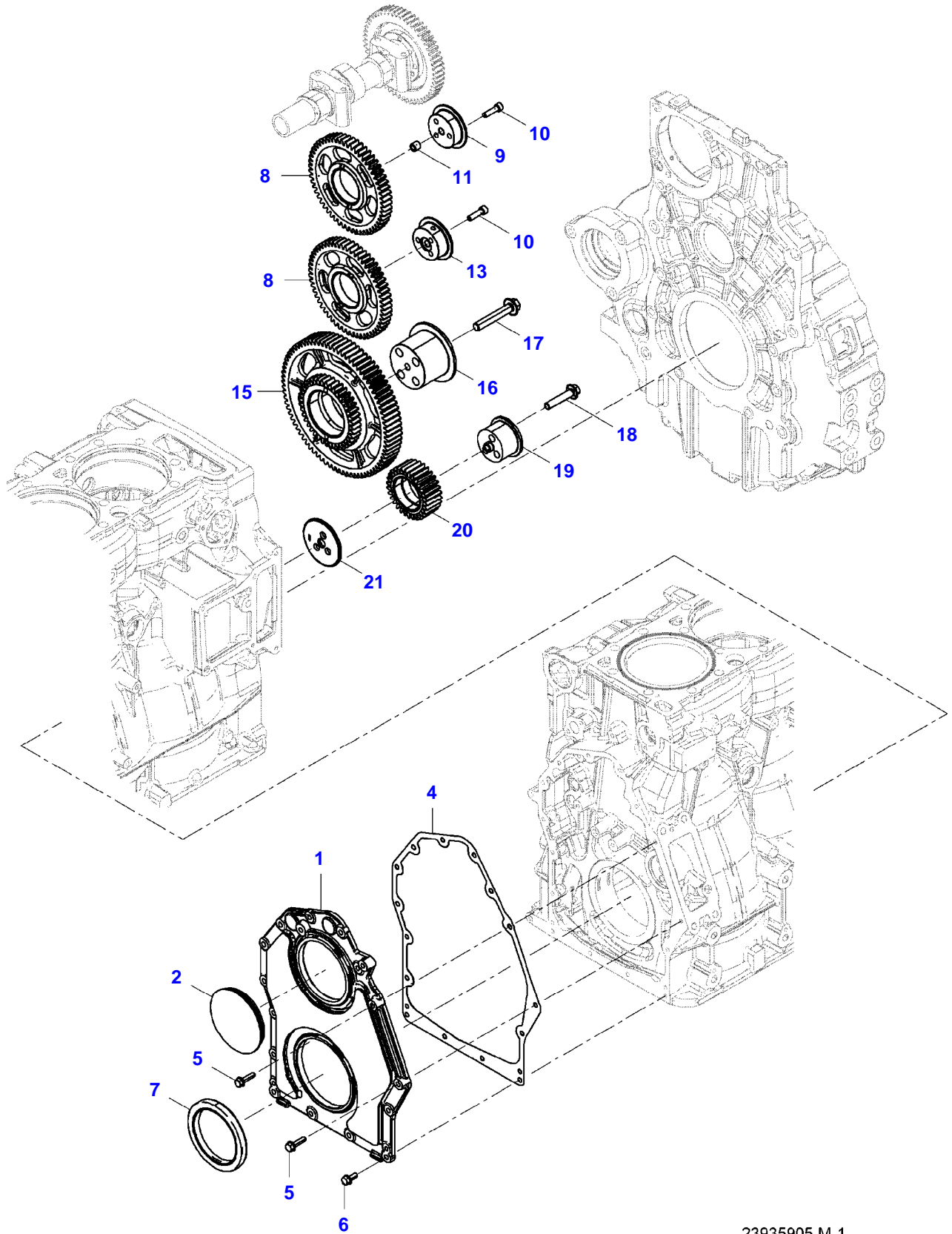
IDEAL 9 COMBINE (2019) (ZN2G0009C03020001-999)  
23935888-M-1



23935888-M-1

Item	Part Number	Qty	Description Comments	Technical Specification
<b>ENGINE : TIER 3</b>				
1	ACP0406490	1	CRANKCASE	
2	ACP0406500	1	COVER	
3	ACP0353330	12	HEX FLANGE CAPSCREW	M10X30-10.9-MAN183-B1
4	ACP0357860	6	RING	
5	ACP0406510	14	HEX BOLT, WITH COLLAR	M20X2X185-12.9
6	72311428	10	COVER	
7	72624556	10	CAP PLUG	A40,3/14,5-X5CRNI1810N
8	72624540	5	PLUG SCREW	M22X1,5X9-5.8
9	72624289	2	DOWEL	16H8X24-ST50-2K
10	72624290	8	DOWEL	8M6X18
11	ACP0406520	6	CYLINDER LINER	
12	ACP0359500	12	PROFILE SEAL	
13	ACP0357900	6	OIL SPLASH NOZZLE	
14	ACP0410440	6	HEX BOLT, WITH COLLAR	M6X12-10.9

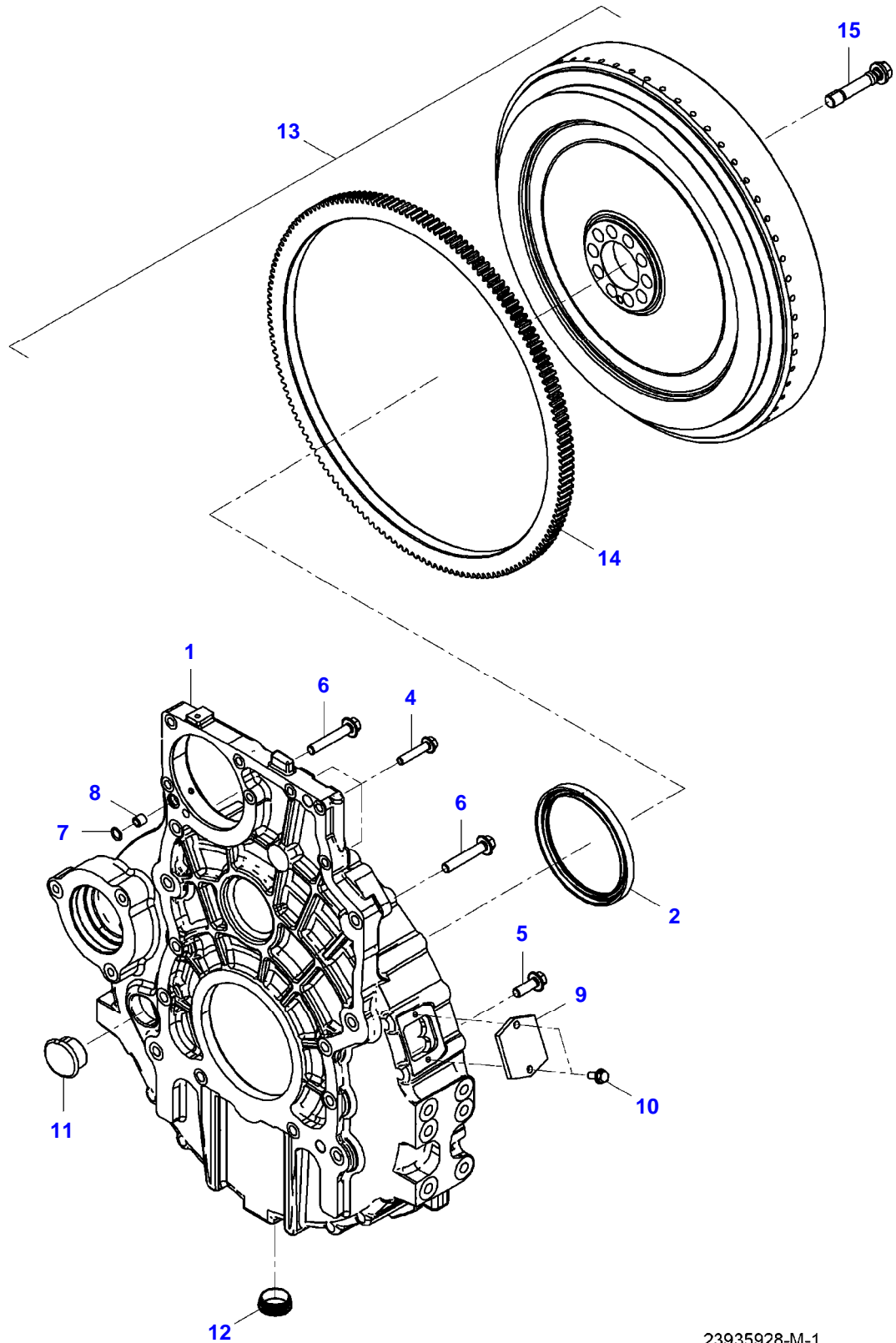
IDEAL 9 COMBINE (2019) (ZN2G0009C03020001-999)  
23935905-M-1



23935905-M-1

Item	Part Number	Qty	Description Comments	Technical Specification
ENGINE : TIER 3				
1	ACP0406560	1	LID	
2	ACP0357880	1	LID	
4	ACP0357910	1	GASKET	
5	72624233	2	HEX FLANGE CAPSCREW	M8X35-10.9
6	72624230	13	HEX FLANGE CAPSCREW	M8X20-10.9
7	72624340	1	RADIAL SHAFT LIP SEAL	100X130X12
8	ACP0358210	2	GEAR,IDLER	
9	ACP0358240	1	WHEEL BOLT	
10	72624213	6	SOCKET HEAD BOLT	M8X30-10.9
11	ACP0359370	1	BUSHING	
13	ACP0358230	1	WHEEL BOLT	
15	ACP0358220	1	GEAR,IDLER	
16	72629229	1	HUB	
17	72624253	4	HEX FLANGE CAPSCREW	M14X80-10.9
18	ACP0357380	3	HEX FLANGE CAPSCREW	M12X60-10.9
19	ACP0359270	1	WHEEL BOLT	
20	ACP0359280	1	GEAR,IDLER	
21	72624551	1	THRUST WASHER	

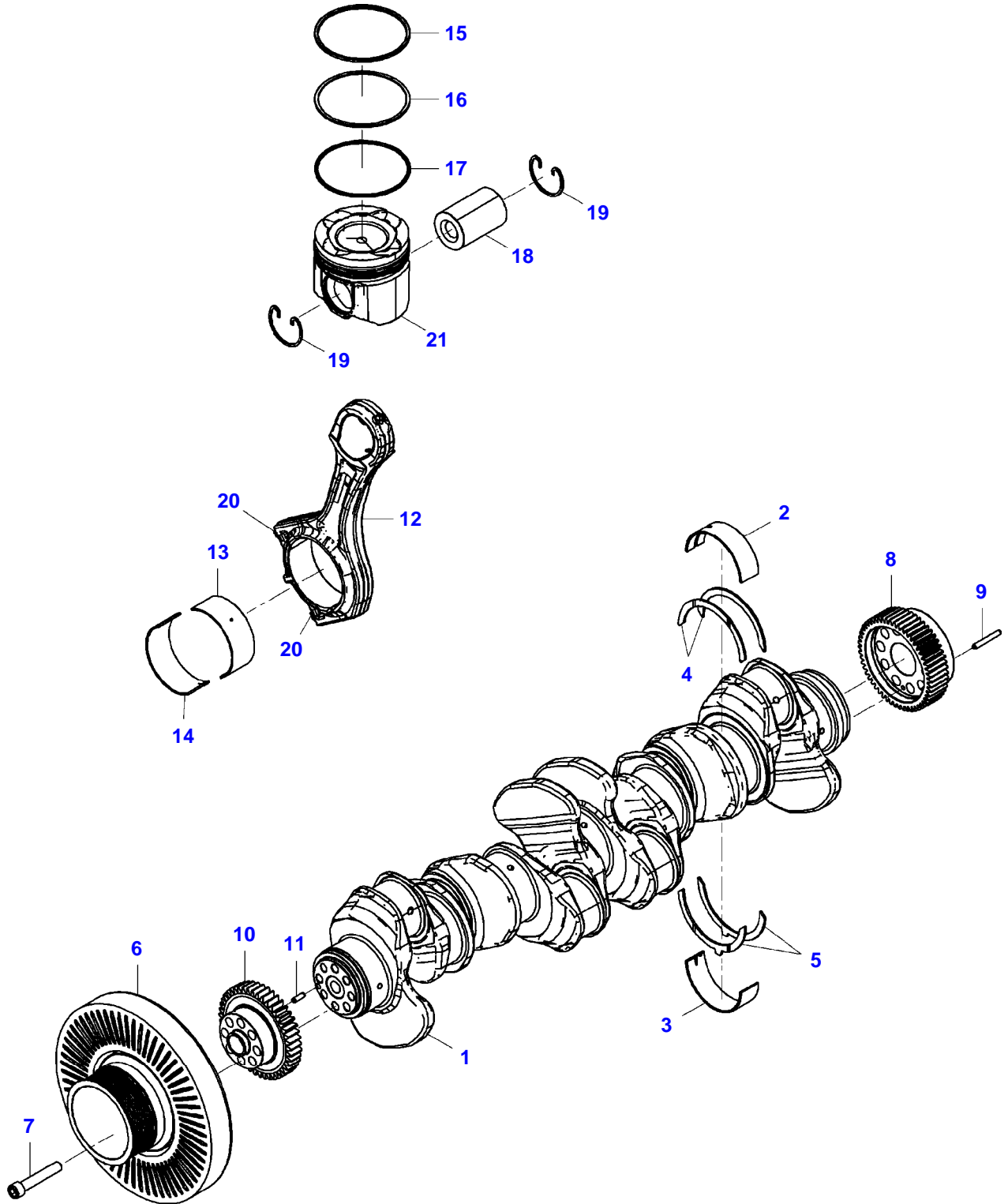




23935928-M-1

Item	Part Number	Qty	Description Comments	Technical Specification
<b>ENGINE : TIER 3</b>				
1	ACP0436780	1	FLYWHEEL HOUSING	
2	ACP0436790	1	SHAFT SEAL	
4	ACP0357320	3	HEX FLANGE CAPSCREW	M10X50-10.9
5	72625957	10	HEX BOLT, WITH COLLAR	M12X35-10.9
6	ACP0357390	2	HEX FLANGE CAPSCREW	M12X70-10.9
7	ACP0357560	1	SEALING WASHER	12,5X2,5N-FKM1-70-GN
8	ACP0359370	1	BUSHING	
9	ACP0353880	1	BLANK FLANGE	
10	ACP0406790	2	HEX TAPPING SCREW	ST4,2X16C
11	ACP0353770	1	RUBBER PLUG	46/38X19-59/51-CR2-70
12	72314695	1	LOCKING PLUG	
13	ACP0406800	1	FLYWHEEL INCLUDES ITEMS 14	
14	72624355	1	STARTER RING	
15	ACP0359290	10	HEX WAISTED BOLT	M18X1,5X98-12.9

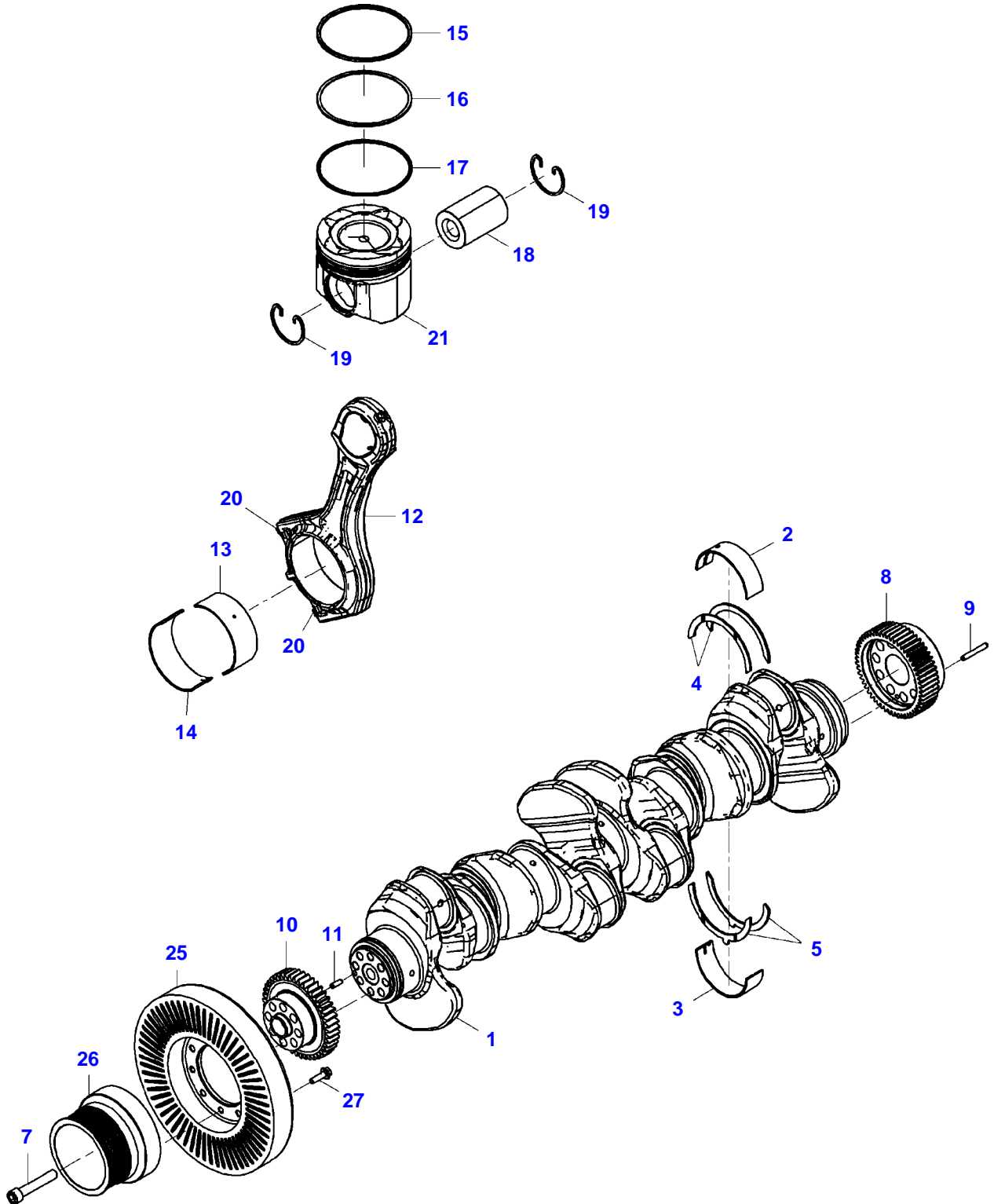
IDEAL 9 COMBINE (2019) (ZN2G0009C03020001-999)  
23935946-M-1



23935946-M-1

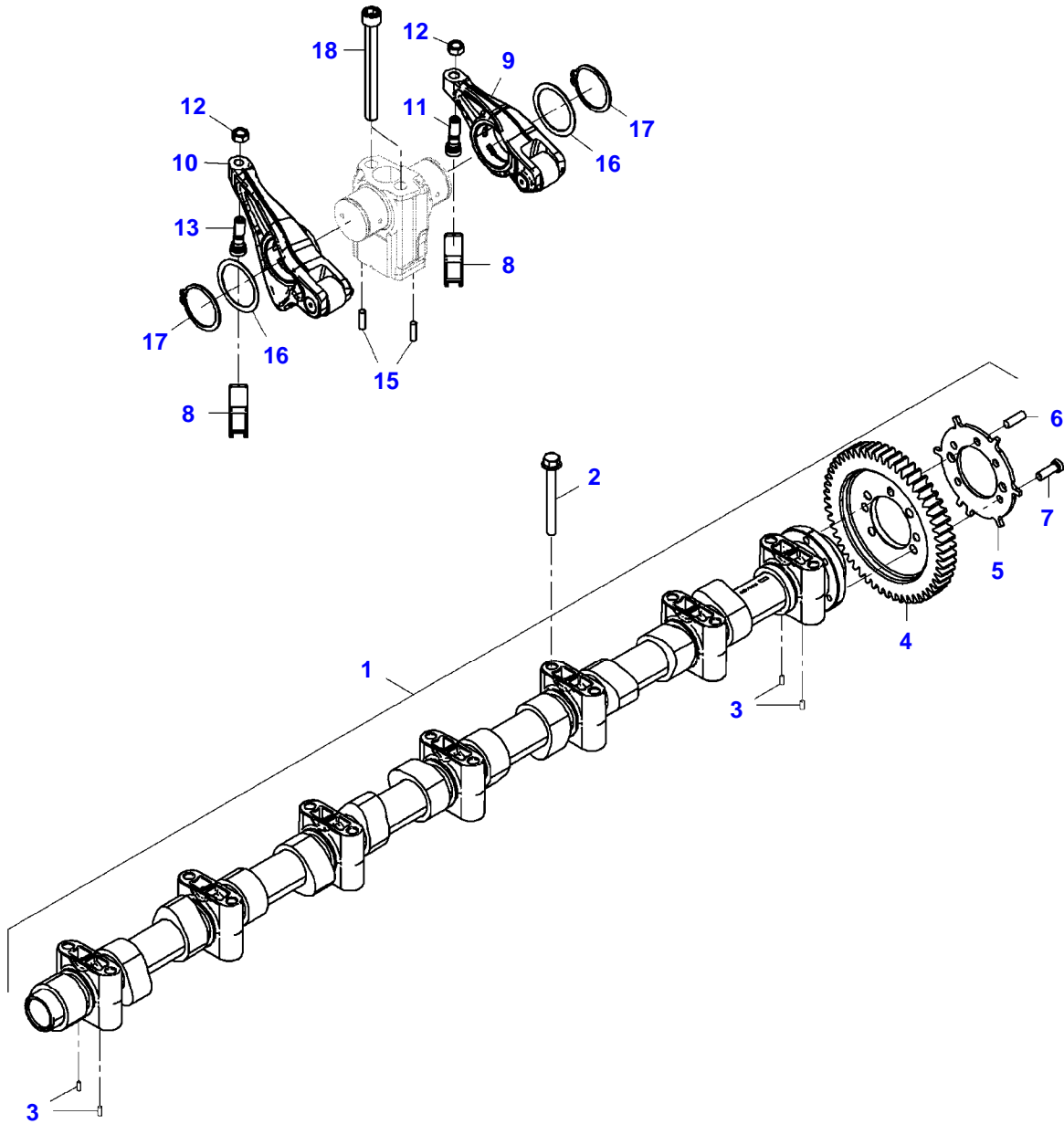
Item	Part Number	Qty	Description Comments	Technical Specification
			<b>ENGINE : TIER 3 FROM - UP TO ENGINE S/N 56853290115330 - 56853300105330</b>	
1	ACP0406810	1	CRANKSHAFT	
2	ACP0406820	7	BEARING SHELL	
3	ACP0406830	7	BEARING SHELL	
4	ACP0357840	2	RACE DISC	
5	ACP0357850	2	RACE DISC	
6	ACP0357940	1	CRANKSHAFT VIBRATION DAMPENER	
7	ACP0353250	8	SOCKET HEAD BOLT	M16X1,5X90-10.9-MAN183-B1
8	ACP0357930	1	CRANKSHAFT GEAR	
9	72624291	1	SPIRAL PIN	8X60-ST
10	ACP0435280	1	CRANKSHAFT GEAR	
11	72313849	1	TENSIONING PIN	ISO8750-8X24-ST
12	ACP0357950	6	CONROD	
13	ACP0357960	6	BEARING SHELL	
14	ACP0357970	6	BEARING SHELL	
15	ACP0358030	6	TRAP.SECTION RG.	
16	ACP0358010	6	CHAMFER PIST.RG.	
17	ACP0358020	6	U/MKME-CHAMF.RG.	
18	ACP0435340	6	PISTON PIN	
19	ACP0435170	12	SNAPRING	
20	ACP0410880	12	BUTTON HEAD CAP SCREW	M16X1,5X80-11.9
21	ACP0435290	6	PISTON	

IDEAL 9 COMBINE (2019) (ZN2G0009C03020001-999)  
23957568-M-1



23957568-M-1

Item	Part Number	Qty	Description Comments	Technical Specification
			<b>ENGINE : TIER 3 FROM ENGINE S/N 56853750015371</b>	
1	ACP0406810	1	CRANKSHAFT	
2	ACP0406820	7	BEARING SHELL	
3	ACP0406830	7	BEARING SHELL	
4	ACP0357840	2	RACE DISC	
5	ACP0357850	2	RACE DISC	
7	ACP0353250	8	SOCKET HEAD BOLT	M16X1,5X90-10.9-MAN183-B1
8	ACP0357930	1	CRANKSHAFT GEAR	
9	72624291	1	SPIRAL PIN	8X60-ST
10	ACP0435280	1	CRANKSHAFT GEAR	
11	72313849	1	TENSIONING PIN	ISO8750-8X24-ST
12	ACP0357950	6	CONROD	
13	ACP0357960	6	BEARING SHELL	
14	ACP0357970	6	BEARING SHELL	
15	ACP0358030	6	TRAP SECTION RG.	
16	ACP0358010	6	CHAMFER PIST.RG.	
17	ACP0358020	6	U/MKME-CHAMF.RG.	
18	ACP0435340	6	PISTON PIN	
19	ACP0435170	12	SNAPRING	
20	ACP0410880	12	BUTTON HEAD CAP SCREW	M16X1,5X80-11.9
21	ACP0435290	6	PISTON	
25	ACP0436920	1	CRANKSHAFT VIBRATION DAMPENER	
26	ACP0436930	1	PULLEY	
27	72624223	10	HEX FLANGE CAPSCREW	M10X35-8.8

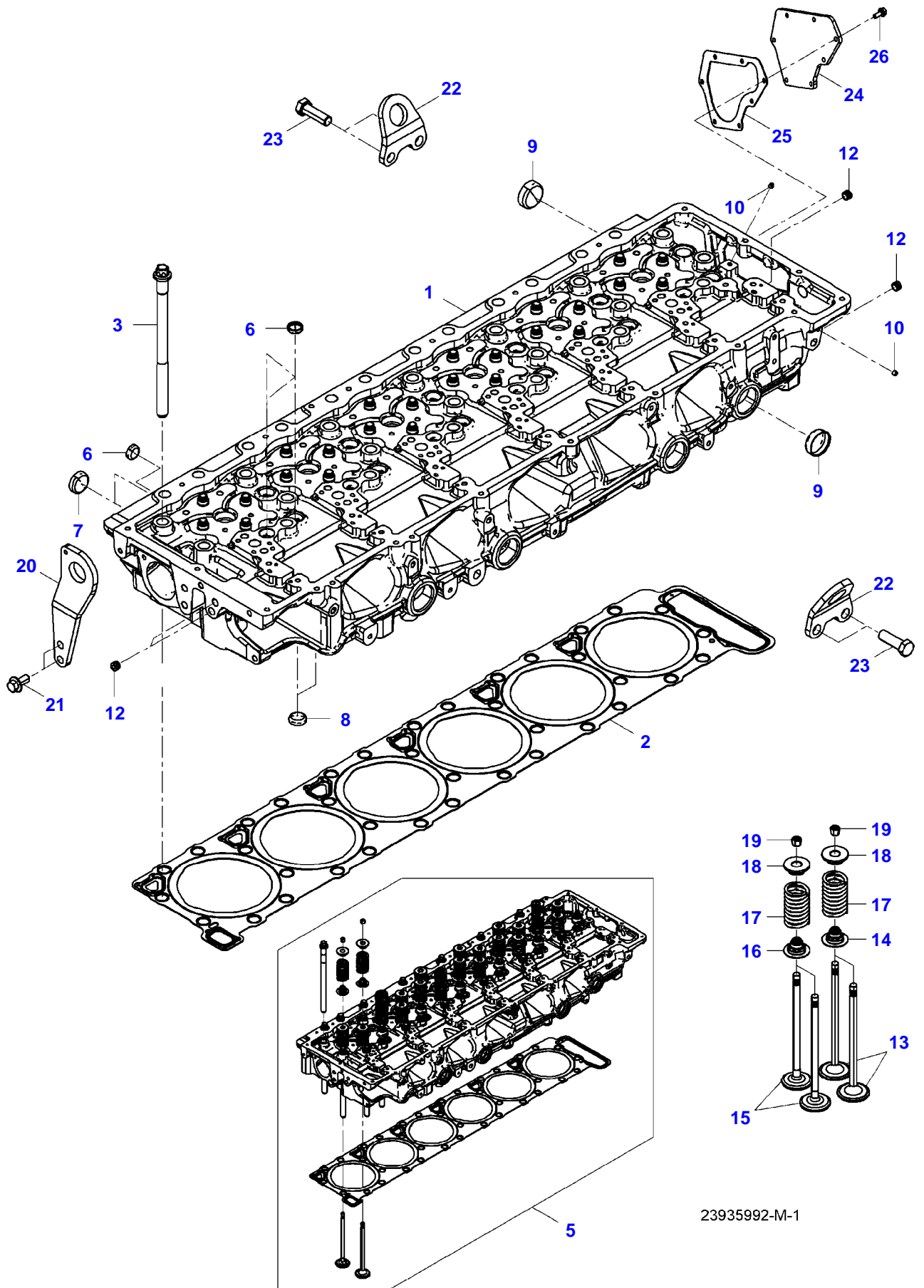


23935971-M-1

Item	Part Number	Qty	Description Comments	Technical Specification
<b>ENGINE : TIER 3</b>				
1	ACP0435350	1	CAMSHAFT	
2	72624221	14	HEX FLANGE CAPSCREW	M8X75-8.8
3	ACP0435360	4	DOWEL	4M6X10-ST50-2K
4	ACP0435370	1	CAM WHEEL	
5	ACP0435380	1	RATCHED WHEEL	
6	ACP0406880	1	DOWEL	8M6X24-ST50-2K
7	ACP0406870	4	SOCKET HEAD BOLT	M8X25-8.8-A2C
8	ACP0358180	12	VALVE BRIDGE	
9	ACP0359890	6	ROCKER ARM	
10	ACP0359910	6	ROCKER ARM	
11	ACP0359900	6	ADJUSTING SCREW	
12	72313252	24	NUT	
13	ACP0406940	6	ADJUSTING SCREW	M10X1X41,1-B-CF53-SW5
15	ACP0406950	12	DOWEL	6M6X20-ST50-2K
16	ACP0406960	12	SHIM	45X56X1-CK67H+A
17	ACP0406970	12	LOCK WASHER	45X1,75-ZNPHR5F
18	ACP0406980	12	SOCKET HEAD BOLT	M12X115-10.9

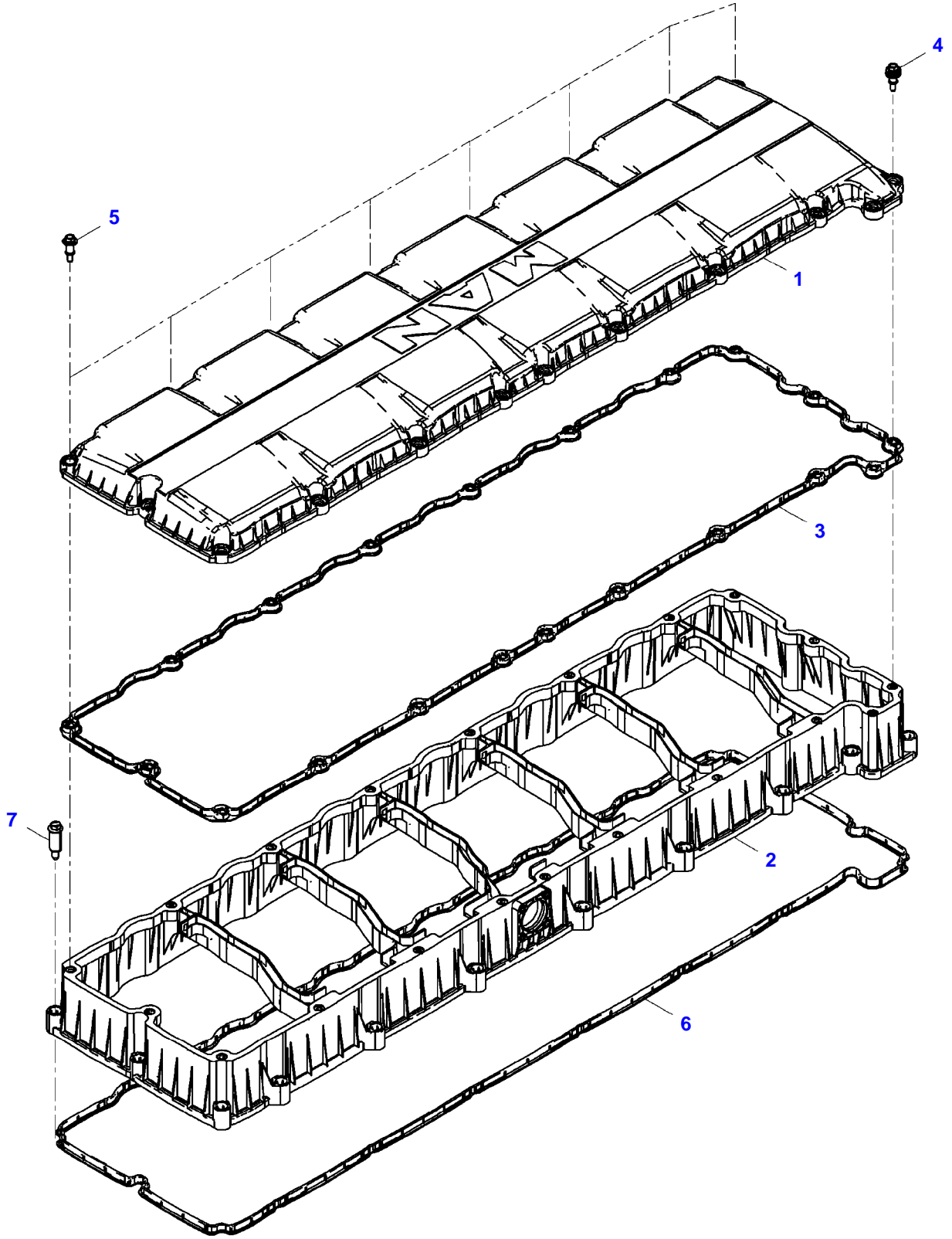


IDEAL 9 COMBINE (2019) (ZN2G0009C03020001-999)  
23935992-M-1



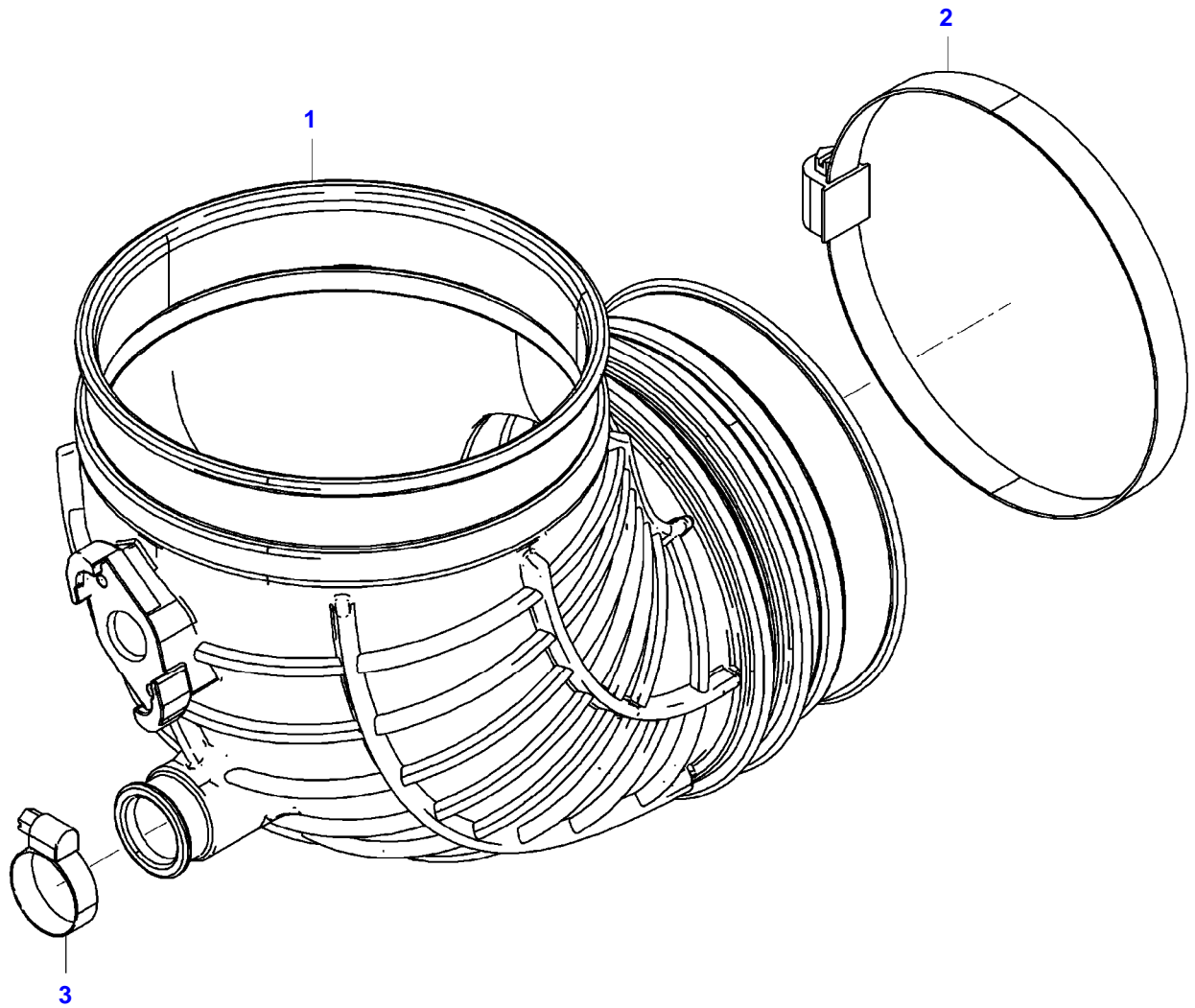
23935992-M-1

Item	Part Number	Qty	Description Comments	Technical Specification
			<b>ENGINE : TIER 3</b>	
1			NOT AVAILABLE IN SINGLE PARTS	
2	ACP0358100	1	CYLINDER HEAD GASKET	
3	ACP0435530	38	HEXAGON FLANGE BOLT	M16X1,5X246
5	ACP0435540	1	CYLINDER HEAD ASM.	
6	ACP0359360	24	CAP PLUG	A22,2/7,5-X5CRN11810N
7	72311428	11	COVER	
8	72311429	12	COVER	
9	72311424	6	COVER	
10	ACP0406990	2	SEALING PLUG	8X6,5
12	ACP0357490	4	SEALING PLUG	12X7,5
13	ACP0358130	12	INLET VALVE	
14	ACP0358260	12	VALVE STEM SEAL	
15	ACP0358140	12	EXHAUST VALVE	
16	ACP0358250	12	VALVE STEM SEAL	
17	ACP0358150	24	VALVE SPRING	
18	ACP0358160	24	VALVE SPRING RETAINER	
19	ACP0358170	48	VALVE SPRING KEY	
20	ACP0407000	1	SUSPENSION EYE	
21	ACP0357370	2	HEX FLANGE CAPSCREW	M12X25-10.9
22	ACP0359210	2	SUSPENSION EYE	
23	ACP0407010	4	HEXAGONAL HEAD BOLT	M16X30-10.9
24	ACP0358070	1	LID	
25	ACP0358110	1	GASKET	
26	72624225	2	HEX FLANGE CAPSCREW	M6X16-10.9



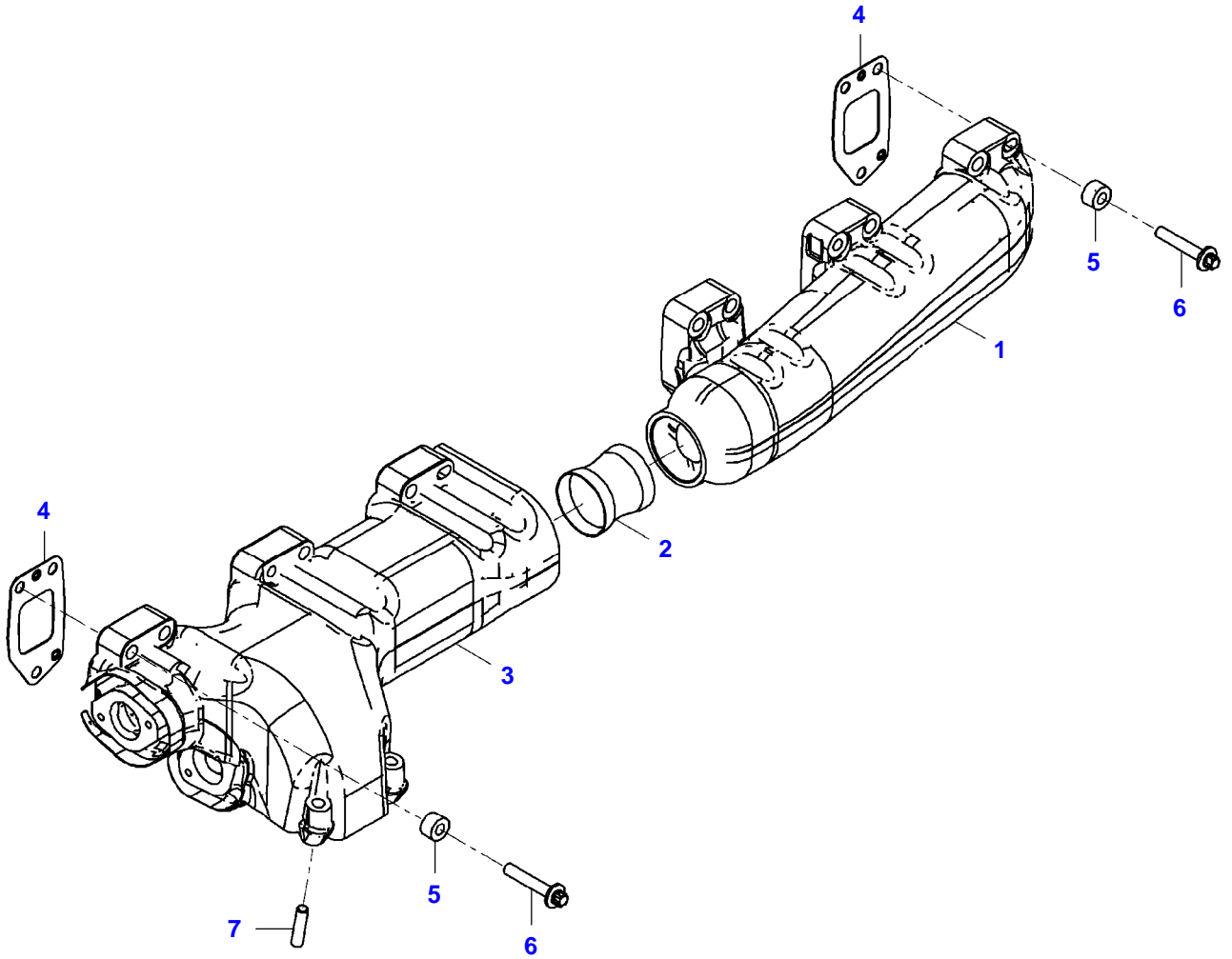
23936032-M-1

Item	Part Number	Qty	Description Comments	Technical Specification
<b>ENGINE : TIER 3</b>				
1	ACP0358080	1	CYLINDER HEAD COVER	
2	ACP0358090	1	SPACER SHEET	
3	ACP0300660	1	CYLINDER HEAD GASKET	
4	ACP0359450	11	SCREW	M6X31
5	72624546	9	SCREW	
6	ACP0358120	1	PROFILE SEAL	
7	ACP0359460	20	BUSHING	



23936041-M-1

Item	Part Number	Qty	Description Comments	Technical Specification
			<b>ENGINE : TIER 3</b>	
1	ACP0300610	1	AIR TUBE	
2	ACP0407020	1	HOSE CLIP	S130-150
3	ACP0353430	1	HOSE CLIP	L20-32

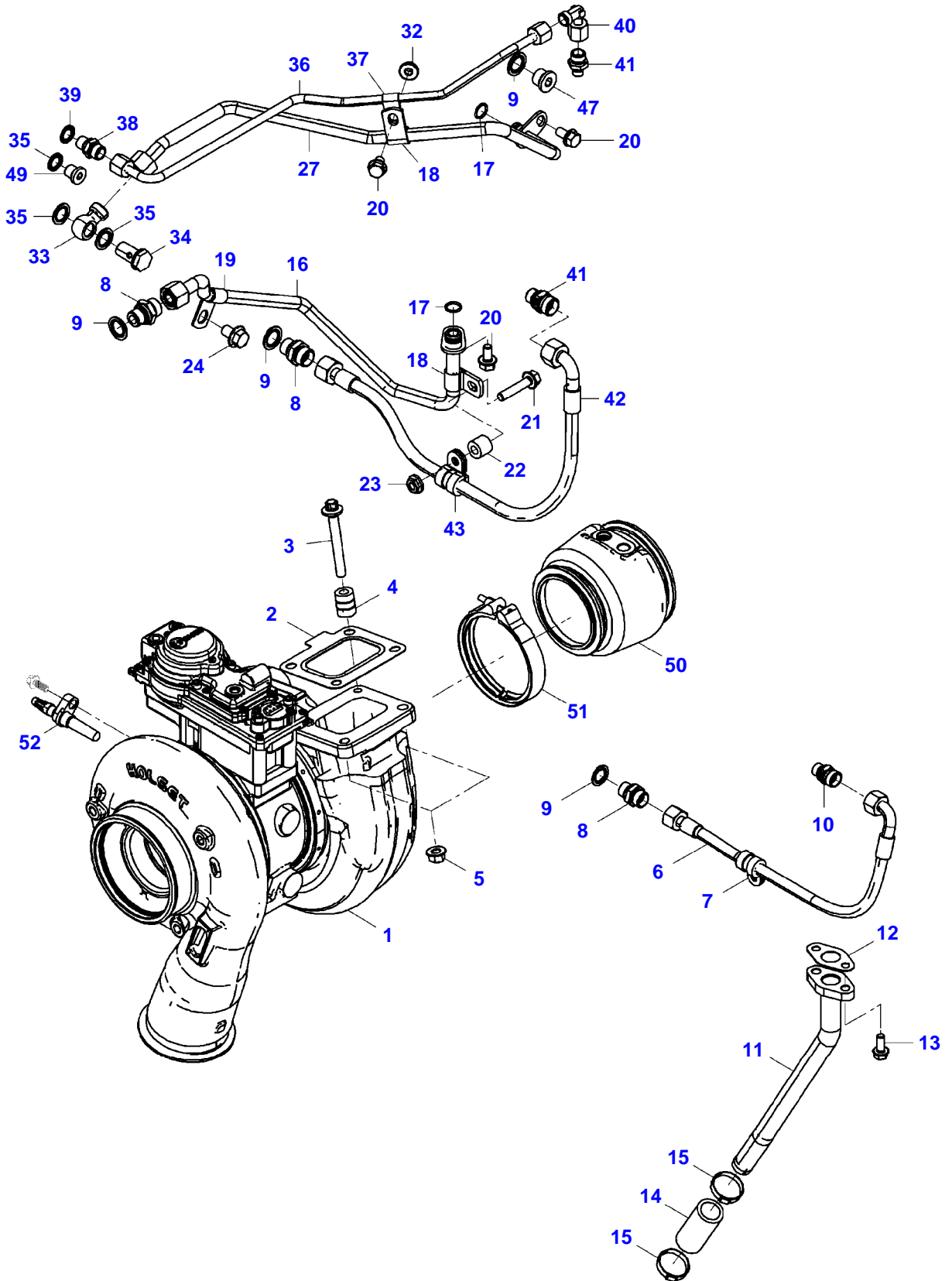


23936046-M-1

Item	Part Number	Qty	Description Comments	Technical Specification
<b>ENGINE : TIER 3</b>				
1	ACP0300640	1	EXHAUST MANIFOLD	
2	ACP0358700	1	CONNECTING PIECE	
3	ACP0375320	1	EXHAUST MANIFOLD	
4	ACP0358850	6	MANIFOLD GASKET	
5	ACP0353750	18	BUSHING	10,5X22X13
6	72315395	18	WASHER HEAD BOLT	
7	ACP0407040	2	STUD BOLT	M10X63-SD



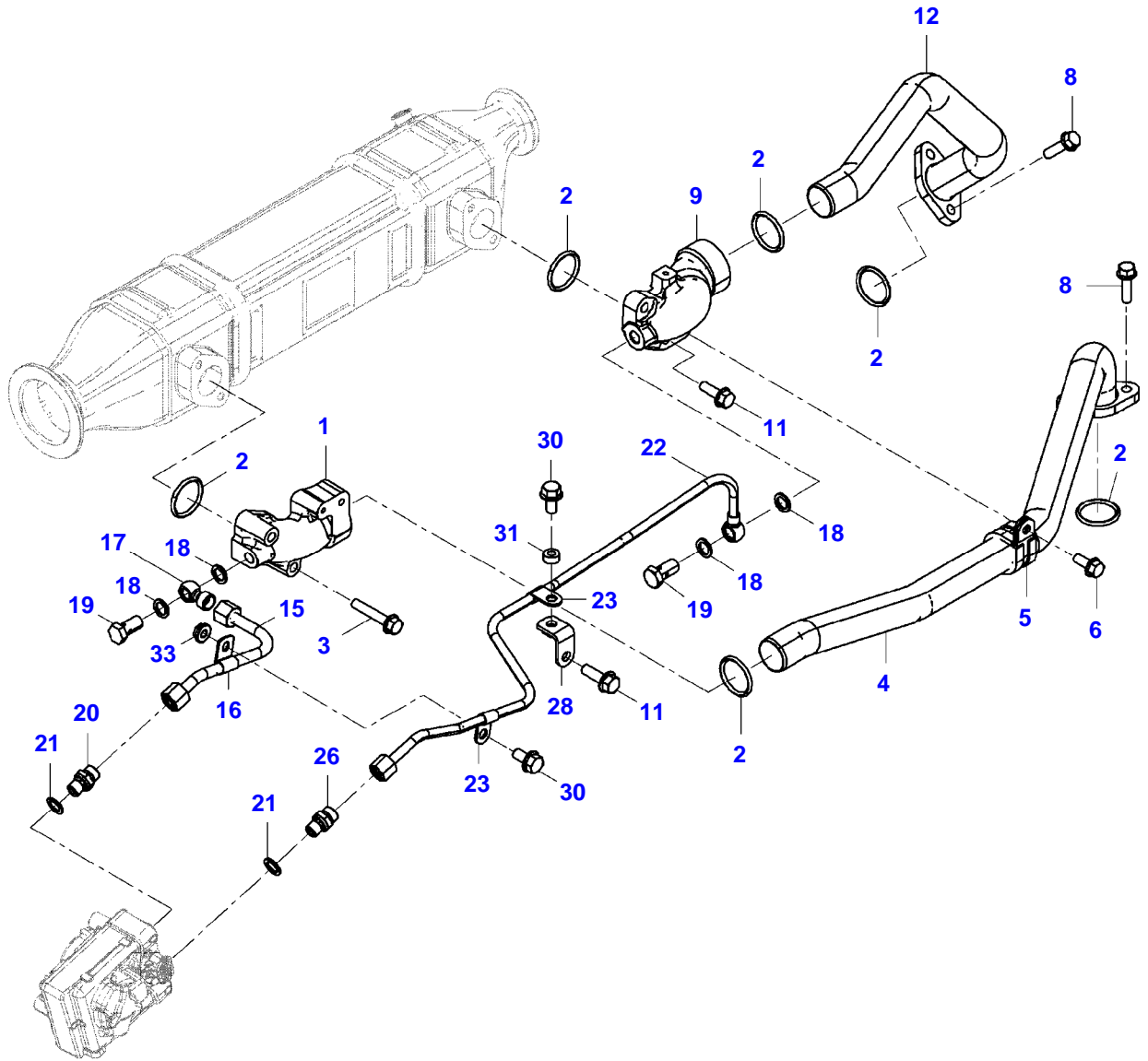
IDEAL 9 COMBINE (2019) (ZN2G0009C03020001-999)  
23936055-M-1



23936055-M-1

Item	Part Number	Qty	Description Comments	Technical Specification
<b>ENGINE : TIER 3</b>				
1	ACP0300620	1	TURBOCHARGER	
2	72624453	1	GASKET	
3	ACP0359330	2	TRUSS HEAD SCREW	M10X80-1.4980-E14-SD
4	ACP0359430	2	BUSHING	
5	72624276	2	SHOULDER HEX NUT	M10-GA-C3J
6	ACP0357510	1	HOSE LINE	A-10NN90X480-FKM
7	72608293	1	CLIP	
8	72624321	3	THREADED SOCKET	L12A-M-ST
9	72624304	4	SEALING WASHER	16,3X24X1,5-ST/FKM1-80
10	72624602	1	SOCKET	
11	ACP0358340	1	OIL RETURN LINE	
12	72624454	1	GASKET	
13	72624230	2	HEX FLANGE CAPSCREW	M8X20-10.9
14	72312632	1	HOSE	
15	72608303	2	CLIP	
16	ACP0436940	1	COOLANT LINE INCLUDES ITEMS 17-18	
17	ACP0353400	2	SEALING WASHER	12,42X1,78N-FKM2-70
18	72624584	3	TUBE CLAMP	B12,1X20X33-9X13-UST37-2
19	ACP0407080	1	TUBE CLAMP	B12,1X20X37-11X14-UST37-2
20	72624229	4	HEX FLANGE CAPSCREW	M8X16-10.9
21	72624234	2	HEX FLANGE CAPSCREW	M8X40-10.9
22	ACP0353740	1	BUSHING	9X18X15
23	ACP0353360	1	LOCKNUT	M8-10-MAN183-B1
24	72624222	1	HEX FLANGE CAPSCREW	M10X16-8.8
27	ACP0407100	1	COOLANT LINE	
32	72624274	1	HEX NUT	M8-8
33	72346246	1	RING FITTING	
34	72417155	1	BANJO BOLT	
35	72624303	3	SEALING WASHER	14,3X22X1,5-ST/FKM1-80
36	ACP0407120	1	COOLANT LINE	
37	72624585	1	TUBE CLAMP	A8X16X28-9-UST37-2
38	72624320	1	THREADED SOCKET	L8A-M-ST
39	72624302	1	SEALING WASHER	12,3X18X1,5-ST/FKM1-80
40	ACP0357730	1	SOCKET	L8
41	ACP0407150	2	SOCKET	L8 M10X1
42	ACP0407160	1	HOSE LINE	
43	72608293	1	CLIP	
47	72624272	1	PLUG SCREW	M16X1,5-ST-M3360-RK9-K
49	72629234	1	PLUG SCREW	
50	ACP0407170	1	EXHAUST PIPE	
51	72624591	1	PROFILE CLIP	
52	ACP0407180	1	SHAFT SPEED SENSOR	

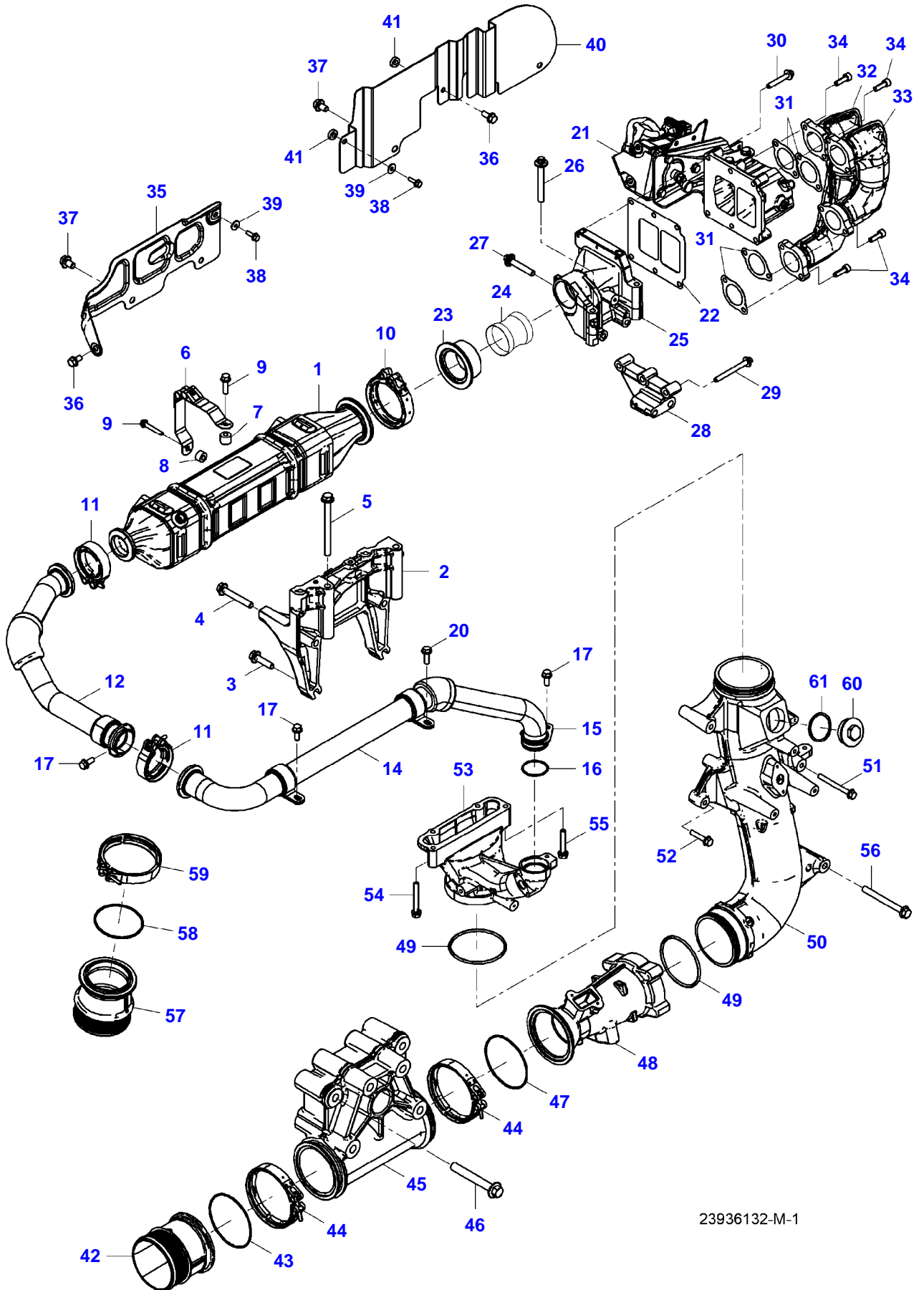
IDEAL 9 COMBINE (2019) (ZN2G0009C03020001-999)  
23936101-M-1



23936101-M-1

Item	Part Number	Qty	Description Comments	Technical Specification
			<b>ENGINE : TIER 3 1 OF 2</b>	
1	ACP0358500	1	CONNECTING PART	
2	ACP0357680	6	SEALING WASHER	31,34X3,53N-EPDM9-70
3	72624663	2	HEX FLANGE CAPSCREW	M8X45-10.9
4	ACP0435550	1	COOLANT LINE INCLUDES ITEMS 5	
5	ACP0357710	1	CLIP	D1-32X20-W4-EPDM
6	72624230	1	HEX FLANGE CAPSCREW	M8X20-10.9
8	72624232	4	HEX FLANGE CAPSCREW	M8X30-10.9
9	ACP0358510	1	CONNECTING PART	
11	72624231	3	HEX FLANGE CAPSCREW	M8X25-10.9
12	ACP0358530	1	COOLANT LINE	
15	ACP0407690	1	COOLANT LINE	
16	ACP0407700	1	TUBE CLAMP	B10,1X20X28-7X10-UST37-2
17	72310189	1	RING FITTING	
18	ACP0357520	4	SEALING WASHER	A12X18-CU
19	72624325	2	BANJO BOLT	8-M3360-RK5-K
20	72624323	1	THREADED SOCKET	L10A-M12X1,5-ST
21	72624302	2	SEALING WASHER	12,3X18X1,5-ST/FKM1-80
22	ACP0407720	1	COOLANT LINE	
23	72624585	2	TUBE CLAMP	A8X16X28-9-UST37-2
26	72624320	1	THREADED SOCKET	L8A-M-ST
28	72624592	1	HOLDER	
30	72624229	2	HEX FLANGE CAPSCREW	M8X16-10.9
31	ACP0407730	1	WASHER	9X19X4
33	ACP0353360	1	LOCKNUT	M8-10-MAN183-B1

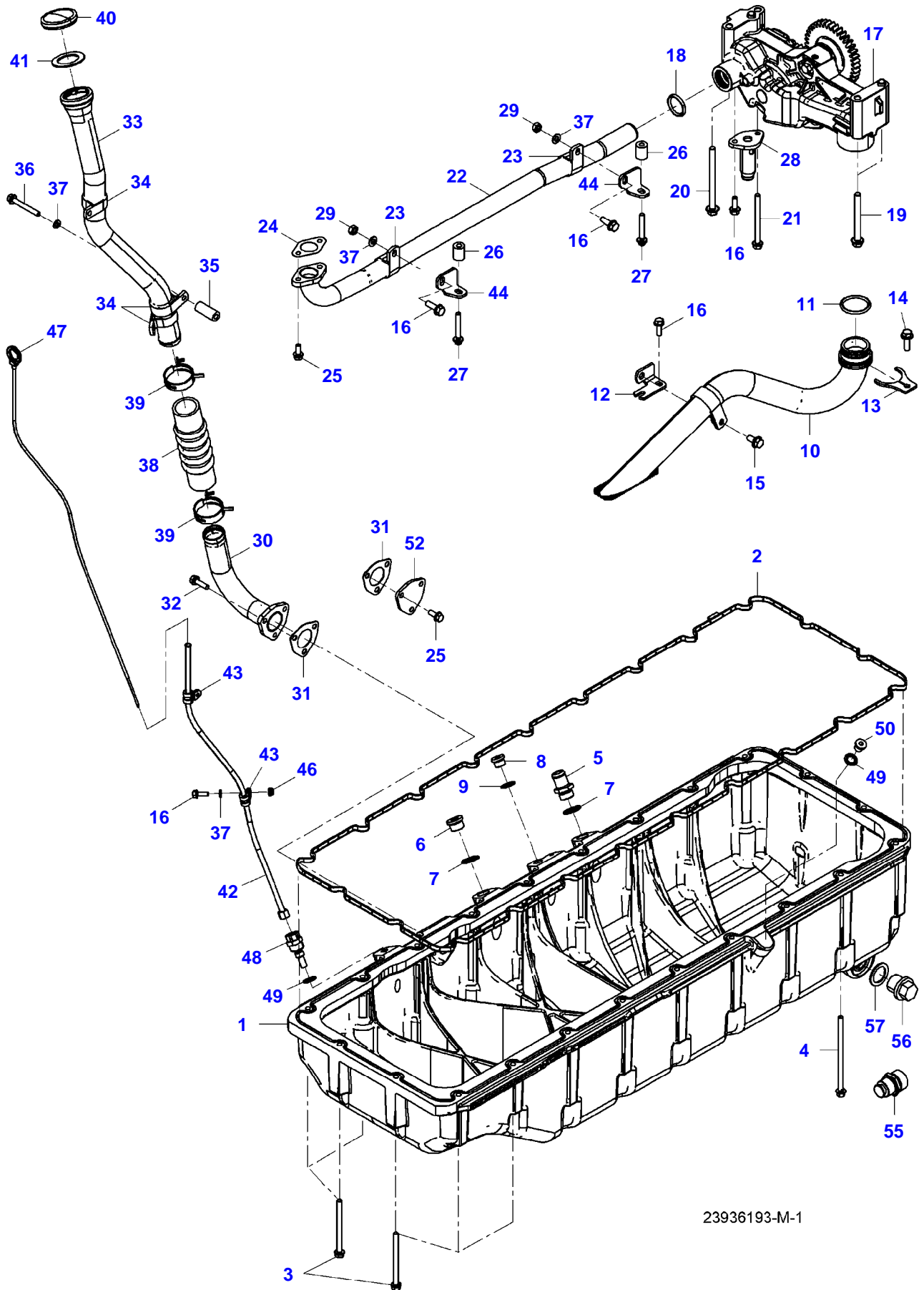
IDEAL 9 COMBINE (2019) (ZN2G0009C03020001-999)  
23936132-M-1



23936132-M-1

Item	Part Number	Qty	Description Comments	Technical Specification
<b>ENGINE : TIER 3 2 OF 2</b>				
1	ACP0300560	1	EGR-MODULE	
2	ACP0358730	1	CONSOLE	
3	ACP0353340	2	HEX FLANGE CAPSCREW	M10X40-10.9-MAN183-B1
4	ACP0357340	2	HEX FLANGE CAPSCREW	M10X70-10.9
5	72624247	2	HEX FLANGE CAPSCREW	M10X120-10.9
6	ACP0436970	2	BAND CLAMP	
7	ACP0353740	2	BUSHING	9X18X15
8	ACP0436980	2	BUSHING	8,5X20X17
9	72624663	4	HEX FLANGE CAPSCREW	M8X45-10.9
10	ACP0359570	1	PROFILE CLIP	93X20X1-7,9
11	ACP0359580	2	PROFILE CLIP	DMR65-5,3B W4
12	ACP0358790	1	RETURN TUBE	
14	ACP0358800	1	RETURN TUBE	
15	ACP0357800	1	HOLDER	
16	72313527	1	SEAL	
17	72624230	3	HEX FLANGE CAPSCREW	M8X20-10.9
20	72624231	1	HEX FLANGE CAPSCREW	M8X25-10.9
21	ACP0435620	1	EGR VALVE	
22	ACP0358860	1	GASKET	
23	ACP0435630	1	SOCKET	
24	ACP0358700	1	CONNECTING PIECE	
25	ACP0435670	1	CONSOLE	
26	ACP0435680	2	HEXAGON FLANGE BOLT	M10X95-1.7709-E14-GA
27	72315395	2	WASHER HEAD BOLT	
28	ACP0435690	1	HOLDER	
29	ACP0435700	3	TRUSS HEAD SCREW	M8X80-1.7709-E12-GA
30	72624667	3	HEXAGON FLANGE BOLT	M8X50-1.7709-E12-GA
31	ACP0358870	4	GASKET	
32	ACP0358780	1	RETURN TUBE	
33	ACP0358770	1	RETURN TUBE	
34	ACP0407750	8	SOCKET HEAD BOLT	M8X25-HWF-T45
35	ACP0358710	1	FENDER	
36	72624229	2	HEX FLANGE CAPSCREW	M8X16-10.9
37	72624222	4	HEX FLANGE CAPSCREW	M10X16-8.8
38	72624226	2	HEX FLANGE CAPSCREW	M6X20-10.9
39	72624284	2	WASHER	6X18X1,6-200HV
40	ACP0435710	1	FENDER	
41	ACP0435180	2	BUSHING	9X18X5
42	ACP0407800	1	SOCKET	
43	ACP0353410	1	SEALING WASHER	101,2X2,62N-FPM1-70-GN
44	ACP0353870	2	PROFILE CLIP	
45	ACP0358920	1	CHARGE AIR ELBOW	
46	ACP0357430	2	HEX FLANGE CAPSCREW	M14X105-10.9
47	72423310	1	O-RING	
48	ACP0407810	1	CHARGE AIR TUBE	
49	ACP0353390	2	SEALING WASHER	92X4,5N-NBR3-70
50	ACP0407830	1	CHARGE AIR ELBOW	
51	72624236	2	HEX FLANGE CAPSCREW	M8X80-10.9
52	72624234	1	HEX FLANGE CAPSCREW	M8X40-10.9
53	ACP0407840	1	CHARGE AIR ELBOW	
54	ACP0353300	2	HEX FLANGE CAPSCREW	M8X65-10.9-MAN183-B1
55	72433860	2	TORX SCREW	
56	72624245	1	HEX FLANGE CAPSCREW	M10X100-10.9
57	ACP0358890	1	CHARGE AIR ELBOW	
58	ACP0407850	1	SEALING WASHER	90X82X2,3
59	ACP0359560	1	PROFILE CLIP	108X20-A2
60	ACP0357470	1	PLUG SCREW	CM45X1,5-ST-ZNP3R3F
61	ACP0357530	1	SEALING WASHER	A45X52-CU

IDEAL 9 COMBINE (2019) (ZN2G0009C03020001-999)  
23936193-M-1



23936193-M-1

Thank you so much for reading.  
Please click the “Buy Now!”  
button below to download the  
complete manual.



After you pay.

You can download the most  
perfect and complete manual in  
the world immediately.

Our support email:

[ebooklibonline@outlook.com](mailto:ebooklibonline@outlook.com)