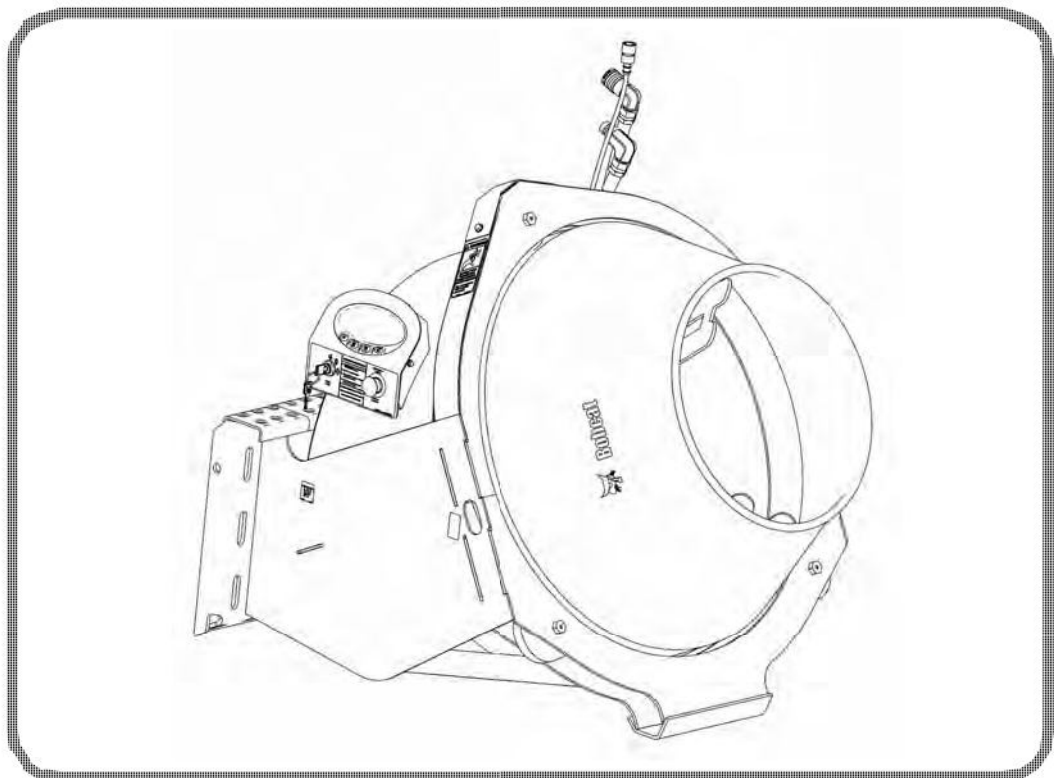




Bobcat®

Service Manual Concrete Mixer

(Concrete Mixer) S/N AK7400101 & Above



CONTENTS

SAFETY AND MAINTENANCE	10-01
HYDRAULIC SYSTEM	20-01
MAINFRAME	30-01
ELECTRICAL SYSTEM	40-01
SPECIFICATIONS	SPEC-01
ALPHABETICAL INDEX	INDEX-01

Thank you so much for reading.
Please click the “Buy Now!”
button below to download the
complete manual.



After you pay.

You can download the most
perfect and complete manual in
the world immediately.

Our support email:

ebooklibonline@outlook.com