

Product: EXCAVATOR

Model: 325D FM EXCAVATOR C8L

Configuration: 325D Forest Swing Machine Butt-N-Top Log Loader High Wide Undercarriage C8L00001-UP (MACHINE) POWERED BY C7 Engine

Disassembly and Assembly

C7

Engines for Caterpillar Built Machines

Media Number -REN9218-13

Publication Date -01/06/2014

Date Updated -04/06/2014

i02304162

Camshaft - Remove

SMCS - 1210-011

Removal Procedure

Table 1

Required Tools			
Tool	Part Number	Part Description	Qty
A	136-4632	Timing Pin	1
	139-7063	Timing Pin Adapter	1
B	FT-2730	Puller	12

Start By:

- Remove the vibration damper and the pulley. Refer to Disassembly and Assembly, "Vibration Damper and Pulley - Remove and Install".
- Remove the rocker arms and the pushrods. Refer to Disassembly and Assembly, "Rocker Shaft and Pushrod - Remove".
- Remove the front cover. Refer to Disassembly and Assembly, "Front Cover - Remove and Install".

NOTICE

Keep all parts clean from contaminants.

Contaminants may cause rapid wear and shortened component life.

- Use Tooling (B) to reposition the valve lifters out of the way.
- Ensure that the No. 1 cylinder is at the top center compression stroke. Refer to Testing and Adjusting, "Finding Top Center Position for No. 1 Piston". Install Tooling (A) in the flywheel.
- Ensure that the timing marks on the following gears are aligned: the camshaft drive gear, the idler gear and the crankshaft gear.

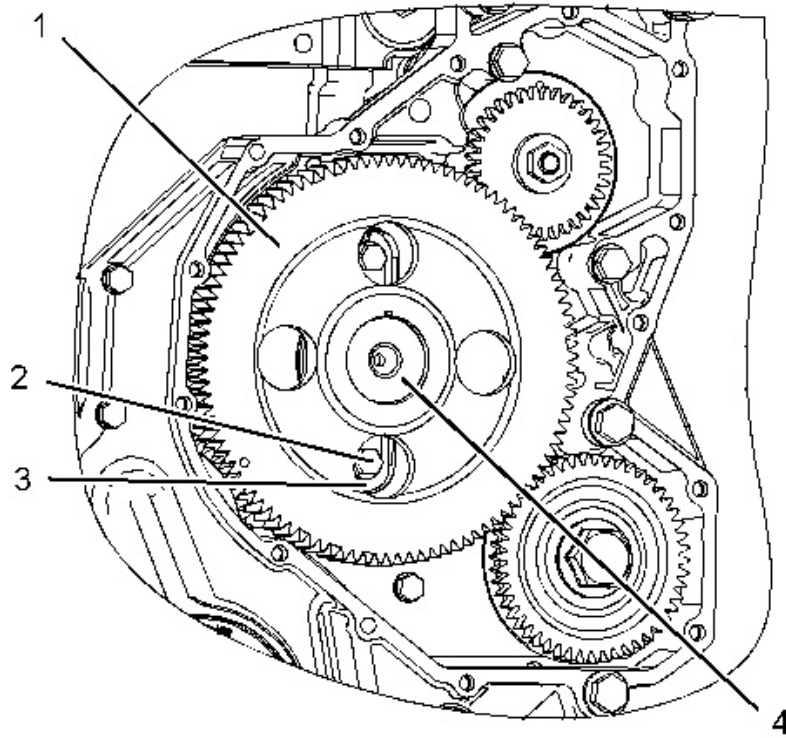


Illustration 1

g01125899

4. Rotate camshaft gear (1) in order to access bolts (2). Remove bolts (2) .
 5. Remove thrust plate (3) .
 6. Remove camshaft (4) from the cylinder block.
-

Thank you so much for reading.
Please click the “Buy Now!”
button below to download the
complete manual.



After you pay.

You can download the most
perfect and complete manual in
the world immediately.

Our support email:

ebooklibonline@outlook.com