

Product: MOTOR GRADER

Model: 120K MOTOR GRADER SZN

Configuration: 120K Motor Grader SZN00001-UP (MACHINE) POWERED BY C7 Engine

Disassembly and Assembly 120K and 120K Series 2 Motor Graders Power Train

Media Number -KENR8438-04

Publication Date -01/08/2018

Date Updated -09/08/2018

i05371526

Final Drive - Assemble

SMCS - 4050-016

Assembly Procedure

Table 1

Required Tools			
Tool	Part Number	Part Description	Qty
A	439-3938	Link Bracket	2
B	5P-4204	Wrench Assembly	1
C	6V-4876	Lubricant	1
D	8T-5096	Dial Indicator Gp	1

Note: Use a suitable press to install the cones on the drive shafts and the cups. If necessary, only preheat the cones to 135 °C (275 °F) for no more than 1 hour. It is important to reseal the cone or the cup with a suitable driver after the bearing and adjacent parts have reached a uniform temperature.

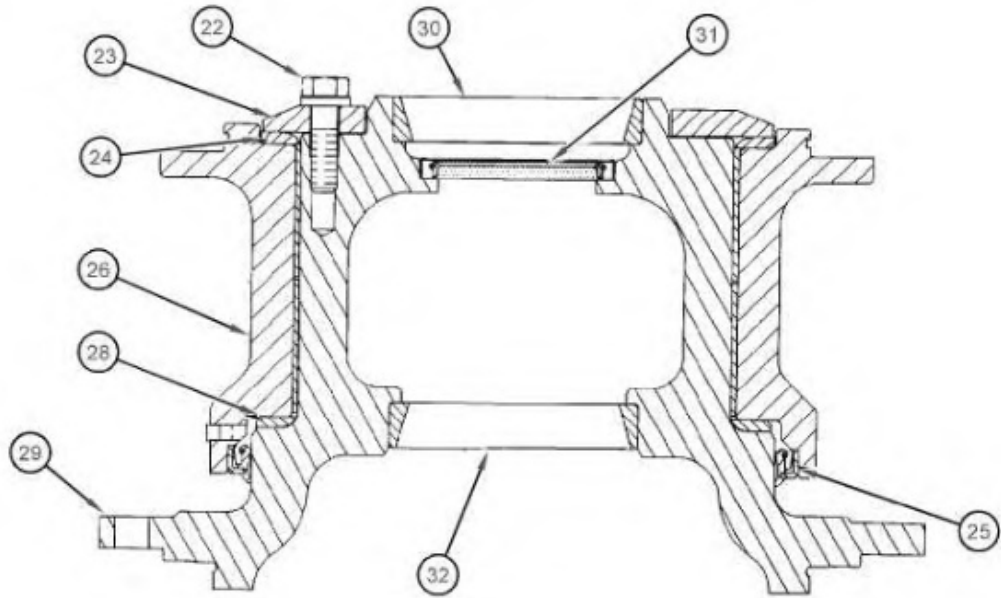


Illustration 1

g01060675



Illustration 2

g01060676

1. Lower the temperature of bearing cup (32) and install bearing cup (32) in housing (29). Check for full seating of the bearing cup with a Feeler Gauge.

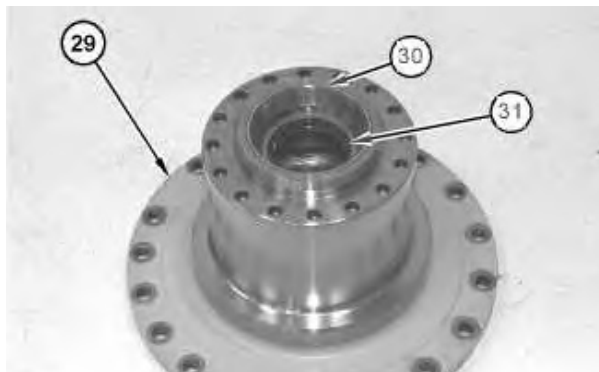


Illustration 3

g01060678

2. Place housing (29) in a vertical position with the flange downward.
3. Install lip seal (31) in housing (29). The lip of the seal must face outward. Lubricate the lip seal (31) with the lubricant which is being sealed.
4. Lower the temperature of bearing cup (30) and install bearing cup (30) in housing (29). Check for full seating of the bearing cup with a Feeler Gauge.

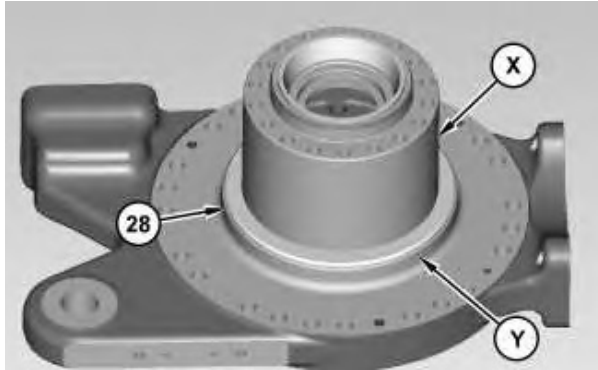


Illustration 4

g02782189

5. Apply Tooling (C) onto thrust washer (28). Apply Tooling (C) onto surface (X) and surface (Y). Install thrust washer (18).



Illustration 5

g02782206

6. Install lip seal (25) into housing (26).

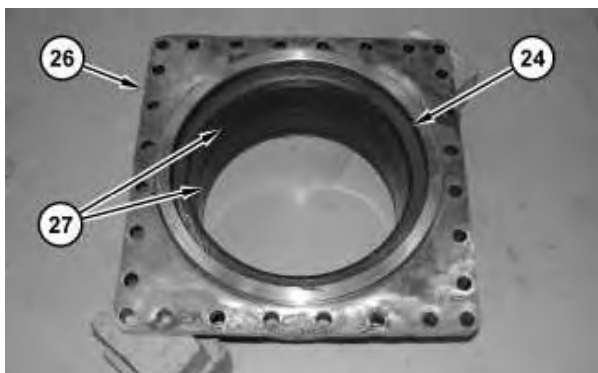


Illustration 6

g02783199

7. Turn over housing (26). Install wear sleeves (27). The diagonal cuts that are in wear sleeves (27) are separated by 90°. Apply Tooling (C) onto thrust washer (24). Install thrust washer (24).



Illustration 7

g02783245

8. Use Tooling (A) and a suitable lifting device to install housing (26). The weight of housing (26) is approximately 54 kg (120 lb). Install shims (23A). Use a suitable soft hammer to drive the wear sleeves into housing (26) until the sleeves are flush with the top of the bore surface. Do not install the shims at this time.

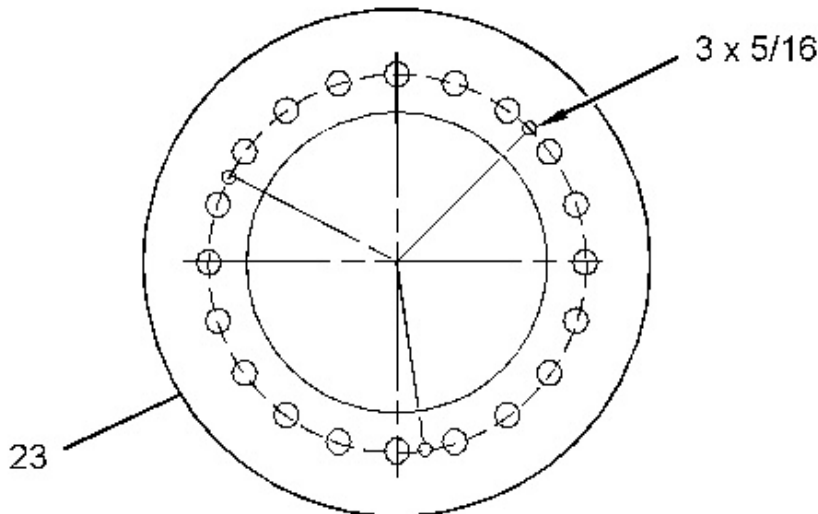


Illustration 8

g02783255

9. Drill three equally spaced 8 mm (5/16 inch) holes in retainer (23) if necessary. The holes must be centered on the existing bolt hole pattern and perpendicular to each surface.
 10. Measure the thickness of retainer (23) at the three hole locations. Average the three measurements and record the result as Dimension (A).
-

Thank you so much for reading.
Please click the “Buy Now!”
button below to download the
complete manual.



After you pay.

You can download the most
perfect and complete manual in
the world immediately.

Our support email:

ebooklibonline@outlook.com