

Product: EXCAVATOR

Model: 323F OEM EXCAVATOR RGP

Configuration: 323F LN Mobile Hydraulic Power Unit RGP00001-UP (MACHINE) POWERED BY C4.4 Engine

## Disassembly and Assembly C4.4 Engines for Caterpillar Built Machines

Media Number -UENR4516-11

Publication Date -01/06/2015

Date Updated -29/10/2018

i05820247

# Fuel Injection Pump Gear - Remove

SMCS - 1251-011

## Removal Procedure

Table 1

Required Tools			
Tool	Part Number	Part Description	Qty
A	-	Puller (Two Leg)	1

### Start By:

- Remove the fuel injection pump. Refer to Disassembly and Assembly, "Fuel Injection Pump - Remove" for the correct procedure.

---

### NOTICE

**Keep all parts clean from contaminants.**

**Contaminants may cause rapid wear and shortened component life.**

---

---

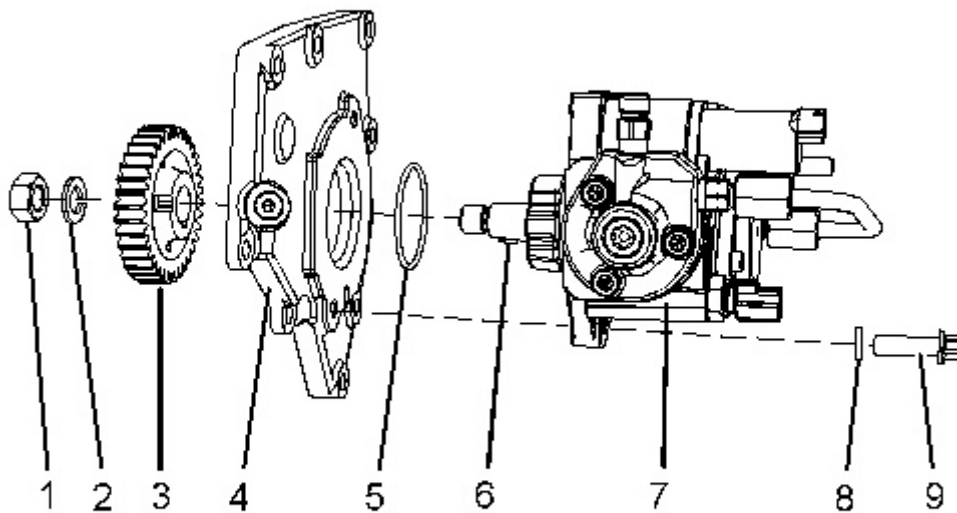
### NOTICE

**Care must be taken to ensure that fluids are contained during performance of inspection, maintenance, testing, adjusting and repair of the product. Be prepared to collect the fluid with suitable containers before opening any compartment or disassembling any component containing fluids.**

**Dispose of all fluids according to local regulations and mandates.**

---

---



---

Illustration 1

g02483636

1. Use a suitable tool in order to prevent fuel injection pump gear (3) from rotating. **Ensure that the gear is not damaged as nut (1) is loosened.**

**Note: Do not use timing pin for the fuel injection in order to prevent the fuel injection pump gear from rotating.**

2. Remove nut (1) and washer (2).
  3. Use Tooling (A) in order to remove gear (3) from the shaft of fuel injection pump (7).
  4. Remove key (6) from the shaft of fuel injection pump (7).
  5. Remove bolts (9) and washers (8). Remove adapter plate (4) from fuel injection pump (7).
  6. Remove O-ring seal (5).
-

Thank you so much for reading.  
Please click the “Buy Now!”  
button below to download the  
complete manual.



After you pay.

You can download the most  
perfect and complete manual in  
the world immediately.

Our support email:

[ebooklibonline@outlook.com](mailto:ebooklibonline@outlook.com)