

Product: EXCAVATOR

Model: 329D LN EXCAVATOR SCY

Configuration: 329D L & 329D LN Excavator SCY00001-UP (MACHINE) POWERED BY C7 Engine

## Disassembly and Assembly

### C7

#### Engines for Caterpillar Built Machines

Media Number -REN9218-13

Publication Date -01/06/2014

Date Updated -04/06/2014

i02228289

## Inlet and Exhaust Valves - Remove and Install

SMCS - 1105-010

### Removal Procedure

Table 1

Required Tools			
Tool	Part Number	Part Description	Qty
A	5S-1330	Valve Spring Compressor	1

#### Start By:

- Remove the cylinder head assembly. Refer to Disassembly and Assembly, "Cylinder Head - Remove".

---

### NOTICE

**Keep all parts clean from contaminants.**

**Contaminants may cause rapid wear and shortened component life.**

---

---

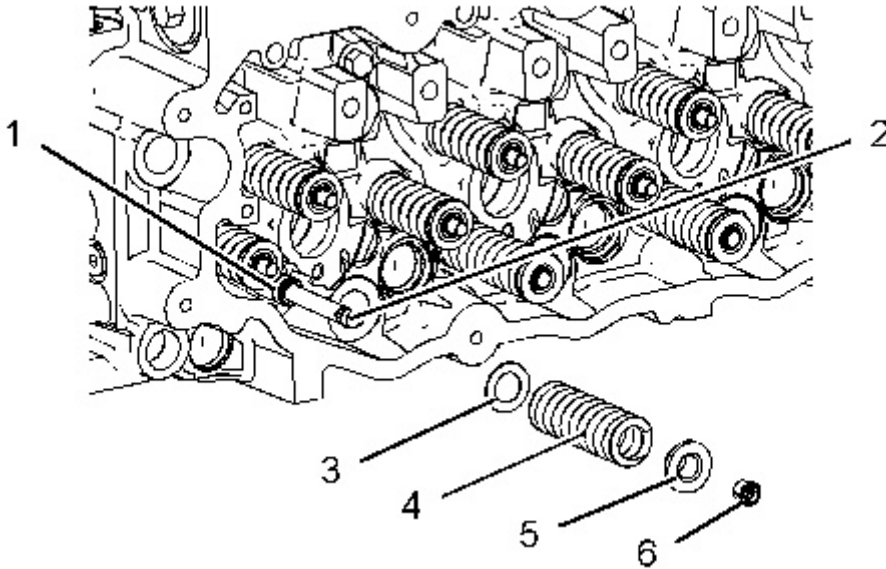


Illustration 1

g01127720

## **WARNING**

**The valve spring keepers can be thrown from the valve when the valve spring compressor is released. Ensure that the valve spring keepers are properly installed on the valve stem. To help prevent personal injury, keep away from the front of the valve spring keepers and valve springs during the installation of the valves.**

**Note:** The following components of the exhaust valves are different from the components of the inlet valves: spring retainer (5), valve spring (4) and valve (2).

1. Use Tooling (A) to compress valve spring (4). Remove retainer locks (6).
2. Remove Tooling (A). Remove spring retainer (5), valve spring (4), and washer (3).
3. Remove valve seal (1) and valve (2).

## Installation Procedure

Table 2

<b>Required Tools</b>			
<b>Tool</b>	<b>Part Number</b>	<b>Part Description</b>	<b>Qty</b>
A	5S-1330	Valve Spring Compressor	1

**NOTICE**

**Keep all parts clean from contaminants.**

**Contaminants may cause rapid wear and shortened component life.**

---

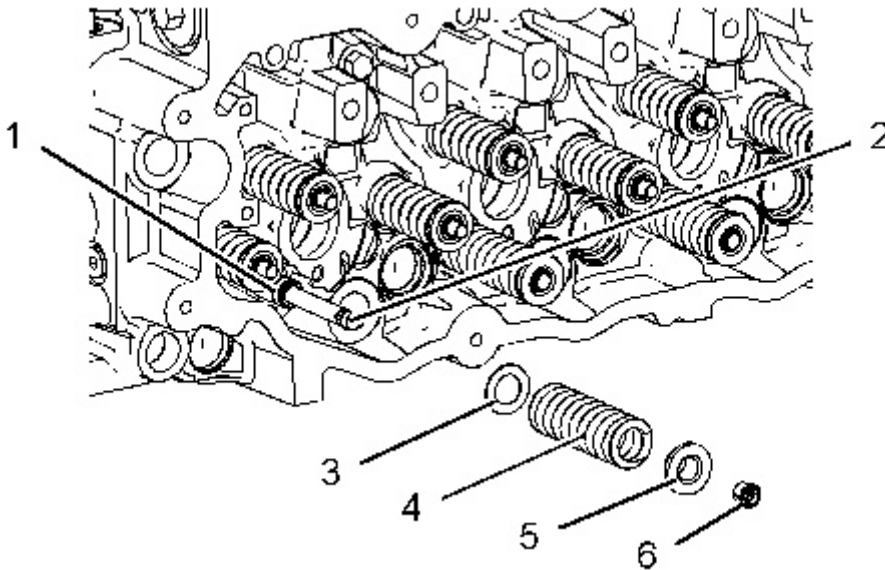


Illustration 2

g01127720

**! WARNING**

**Improper assembly of parts that are spring loaded can cause bodily injury.**

**To prevent possible injury, follow the established assembly procedure and wear protective equipment.**

---

1. Lubricate valve (2) with clean engine oil. Install valve (2) in the cylinder head assembly. Install new valve seal (1) against the valve guide.
2. Place the following items on the valve stem: washer (3), valve spring (4) and spring retainer (5).

**Note:** A small amount of grease can be used to hold the retainer locks in position during installation.

3. Use Tooling (A) to compress valve spring (4). Install retainer locks (6).

**End By:**

Thank you so much for reading.  
Please click the “Buy Now!”  
button below to download the  
complete manual.



After you pay.

You can download the most  
perfect and complete manual in  
the world immediately.

Our support email:

[ebooklibonline@outlook.com](mailto:ebooklibonline@outlook.com)