

Product: WHEEL LOADER

Model: 962H WHEEL LOADER N4A

Configuration: 962H Wheel Loader N4A00001-UP (MACHINE) POWERED BY C7 Engine

## Disassembly and Assembly

### IT62H Integrated Toolcarrier and 950H and 962H Wheel Loaders Power Train

Media Number -REN8867-05

Publication Date -01/06/2014

Date Updated -27/06/2014

i02348371

# Torque Converter from Transmission, Output Transfer Gears - Separate

SMCS - 3003-076

## Separation Procedure

Table 1

Required Tools			
Tool	Part Number	Part Description	Qty
A	138-7574	Link Bracket	1
B	138-7573	Link Bracket	3
	1U-9200	Lever Puller Hoist	1

### Start By:

- A. Remove the torque converter, the transmission, and the output transfer gears. Refer to Disassembly and Assembly, "Torque Converter, Transmission and Output Transfer Gears - Remove".

**Note:** Cleanliness is an important factor. Before the disassembly procedure, the exterior of the component should be thoroughly cleaned. This will help to prevent dirt from entering the internal mechanism.

---

## NOTICE

**Care must be taken to ensure that fluids are contained during performance of inspection, maintenance, testing, adjusting and repair of the product. Be prepared to collect the fluid with suitable containers**

**before opening any compartment or disassembling any component containing fluids.**

**Refer to Special Publication, NENG2500, "Caterpillar Tools and Shop Products Guide" for tools and supplies suitable to collect and contain fluids on Caterpillar products.**

**Dispose of all fluids according to local regulations and mandates.**

---

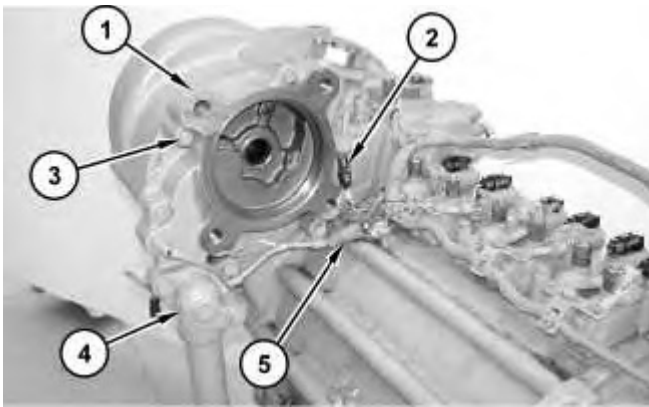


Illustration 1

g01173182

1. Disconnect harness assemblies (2) and (5) .
2. Remove tube assembly (4) .
3. Remove bolts (3) and transmission oil pump (1) .

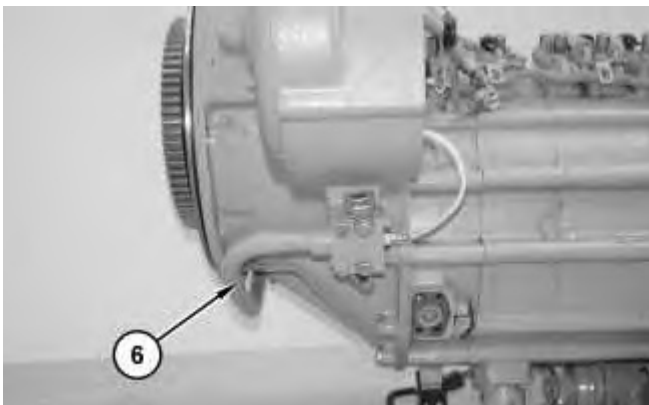


Illustration 2

g01173184

4. Remove tube assembly (6) .

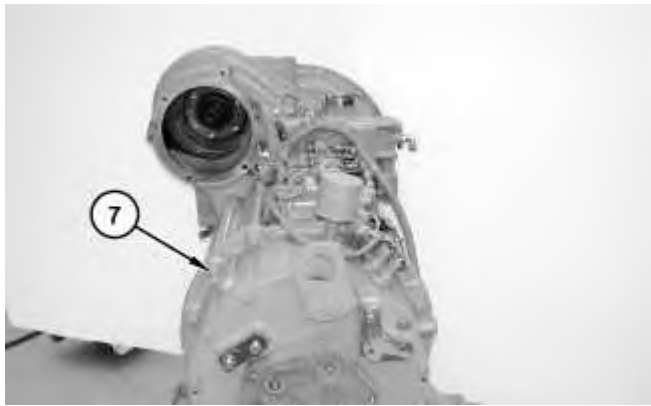


Illustration 3

g01173186

5. Remove bolts (7) .

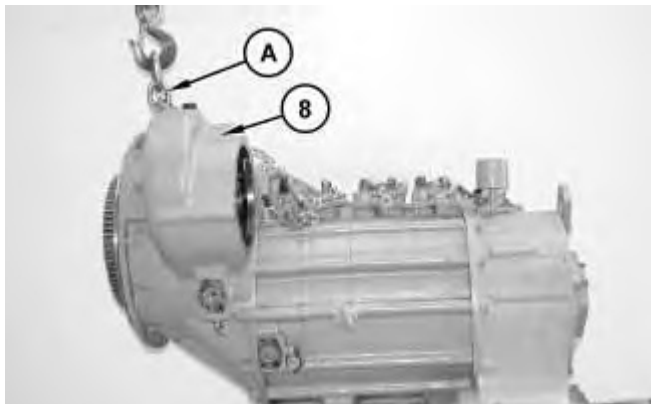


Illustration 4

g01173187

6. Attach Tooling (A) and a suitable lifting device to torque converter (8) .

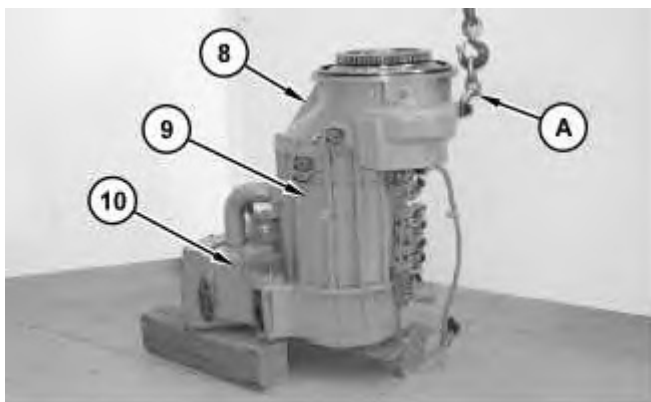


Illustration 5

g01173188

Thank you so much for reading.  
Please click the “Buy Now!”  
button below to download the  
complete manual.



After you pay.

You can download the most  
perfect and complete manual in  
the world immediately.

Our support email:

[ebooklibonline@outlook.com](mailto:ebooklibonline@outlook.com)