

Product: TRACK LOADER

Model: 963B TRACK LOADER 9BL

Configuration: 963B Track-Type Loader 9BL00001-UP (MACHINE) POWERED BY 3116 Engine

Disassembly and Assembly Comfort Series Seat For Caterpillar Machines

Media Number -REN2165-12

Publication Date -01/10/2013

Date Updated -31/10/2013

i01753281

Comfort Seat Air Suspension with Air Compressor - Disassemble

SMCS - 7318-015; 7324-015-AJ

Disassembly Procedure



WARNING

The air spring of the air suspension is filled with air pressure.

Prior to disassembly, release the air pressure in the air spring. Failure to do so could result in personal injury.

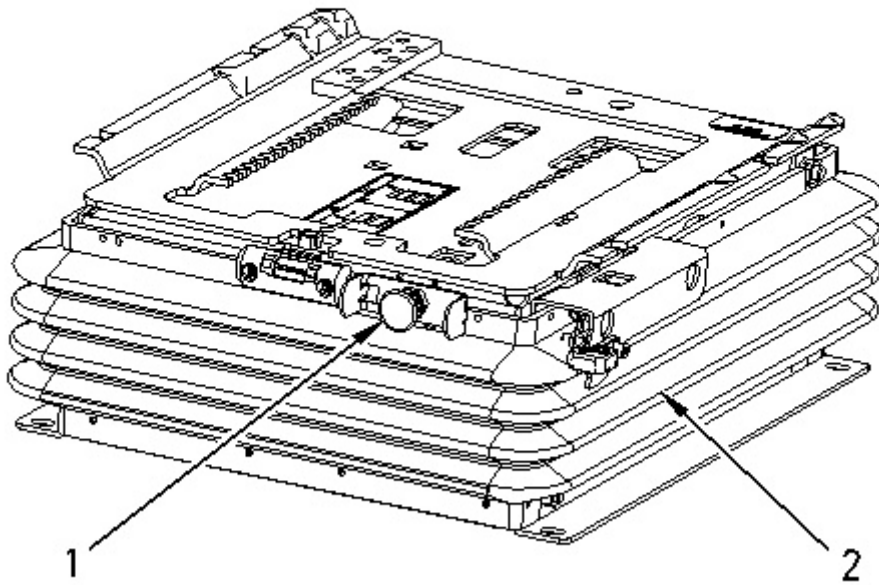


Illustration 1

g00896756

1. Pull adjustment knob (1) in order to release the air from the seat.
 2. Remove boot (2) .
-

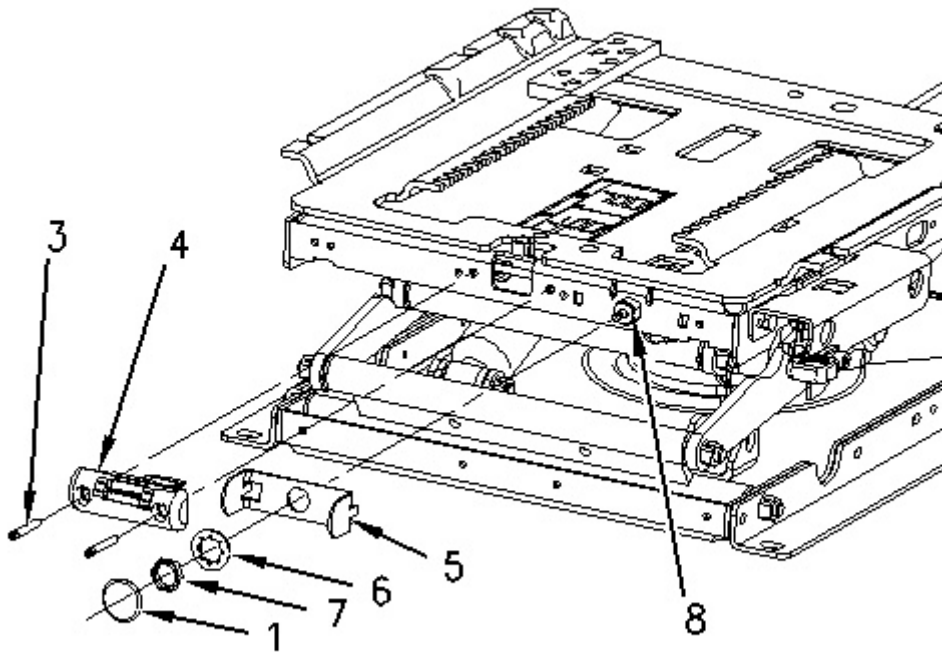


Illustration 2

g00896809

3. Remove bolts (3) in order to remove indicator (4) .
 4. Loosen the setscrew in adjustment knob (1) and remove adjustment knob (1). Remove nut (7) and lockwasher (6). Remove plate (5) from air valve (8) .
-

Thank you so much for reading.
Please click the “Buy Now!”
button below to download the
complete manual.



After you pay.

You can download the most
perfect and complete manual in
the world immediately.

Our support email:

ebooklibonline@outlook.com