

Product: TRACK LOADER

Model: 973C TRACK LOADER LDX

Configuration: 973C TRACK-TYPE LOADER LDX00001-UP (MACHINE) POWERED BY C9 Engine

## Disassembly and Assembly C9 Engines for Caterpillar Built Machines

Media Number -REN9579-20

Publication Date -01/02/2015

Date Updated -15/08/2018

i02550198

# Inlet and Exhaust Valves - Remove and Install

SMCS - 1105-010

## Removal Procedure

Table 1

Required Tools			
Tool	Part Number	Part Description	Qty
A	5S-1330	Valve Spring Compressor	1

### Start By:

- Remove the cylinder head. Refer to Disassembly and Assembly, "Cylinder Head - Remove".

---

### NOTICE

Keep all parts clean from contaminants.

Contaminants may cause rapid wear and shortened component life.

---



**WARNING**

The valve spring keepers can be thrown from the valve when the valve spring compressor is released. Ensure that the valve spring keepers are properly installed on the valve stem. To help prevent personal injury,

keep away from the front of the valve spring keepers and valve springs during the installation of the valves.

---

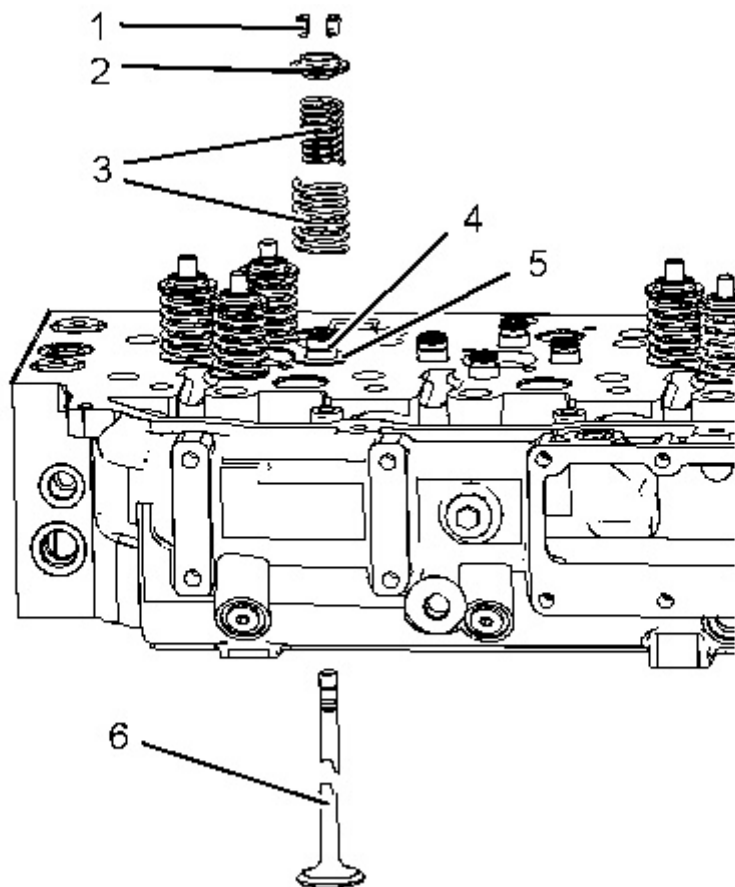


Illustration 1

g01137560

**! WARNING**

**Personal injury can result from being struck by parts propelled by a released spring force.**

**Make sure to wear all necessary protective equipment.**

**Follow the recommended procedure and use all recommended tooling to release the spring force.**

---

1. Use Tooling (A) to compress valve springs (3). Remove retainer locks (1).
2. Remove Tooling (A). Remove spring retainer (2) and valve springs (3).

3. Remove valve stem seal (4), spring seat washer (5), and valves (6).

## Installation Procedure

Table 2

Required Tools			
Tool	Part Number	Part Description	Qty
A	5S-1330	Valve Spring Compressor	1

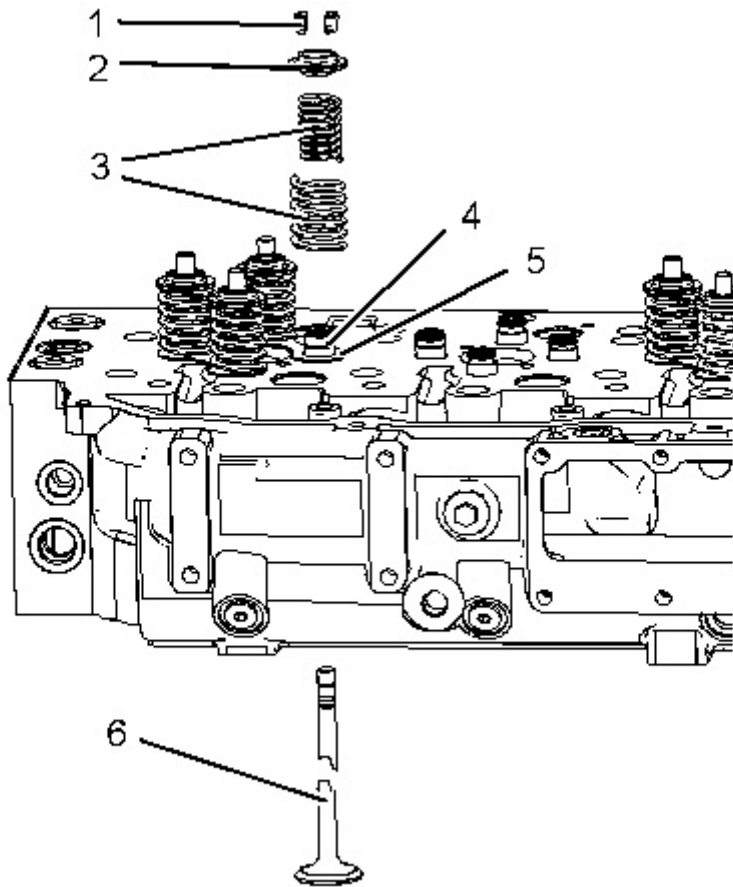
---

### NOTICE

**Keep all parts clean from contaminants.**

**Contaminants may cause rapid wear and shortened component life.**

---



Thank you so much for reading.  
Please click the “Buy Now!”  
button below to download the  
complete manual.



After you pay.

You can download the most  
perfect and complete manual in  
the world immediately.

Our support email:

[ebooklibonline@outlook.com](mailto:ebooklibonline@outlook.com)