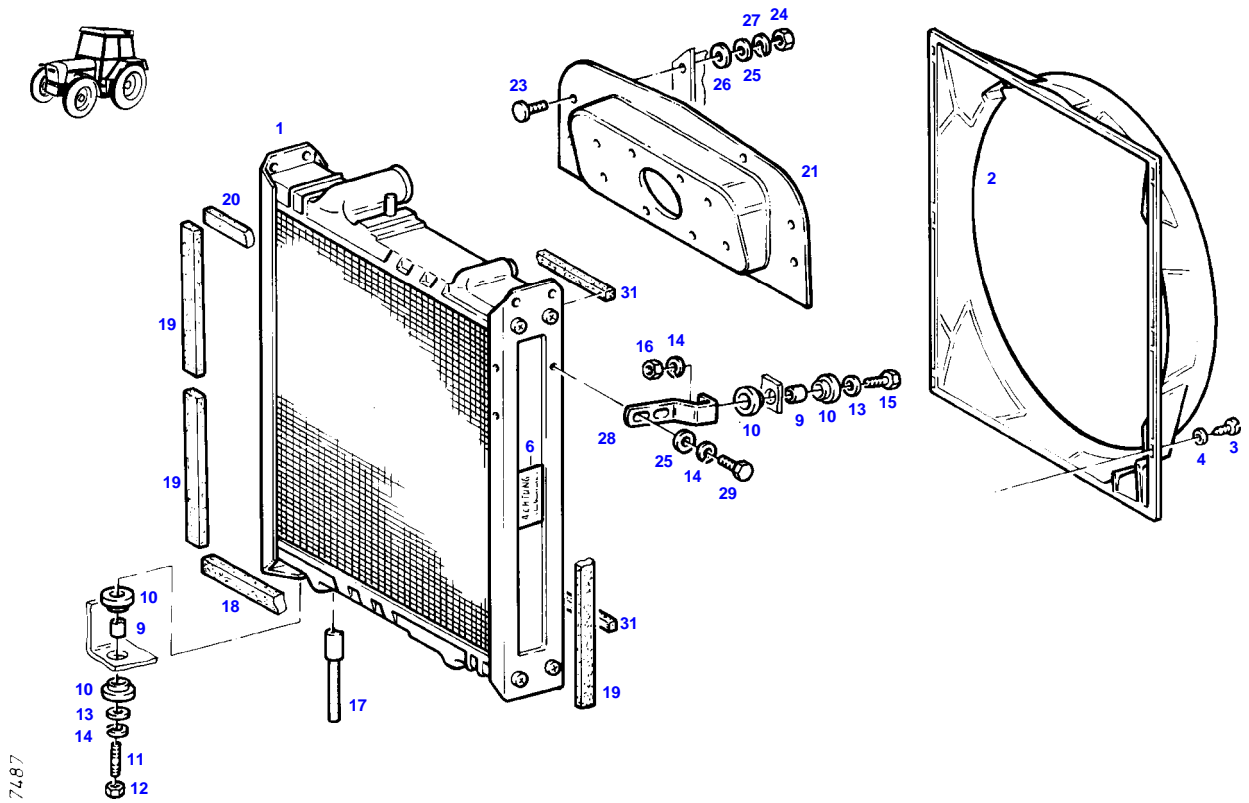


TABLE OF CONTENT

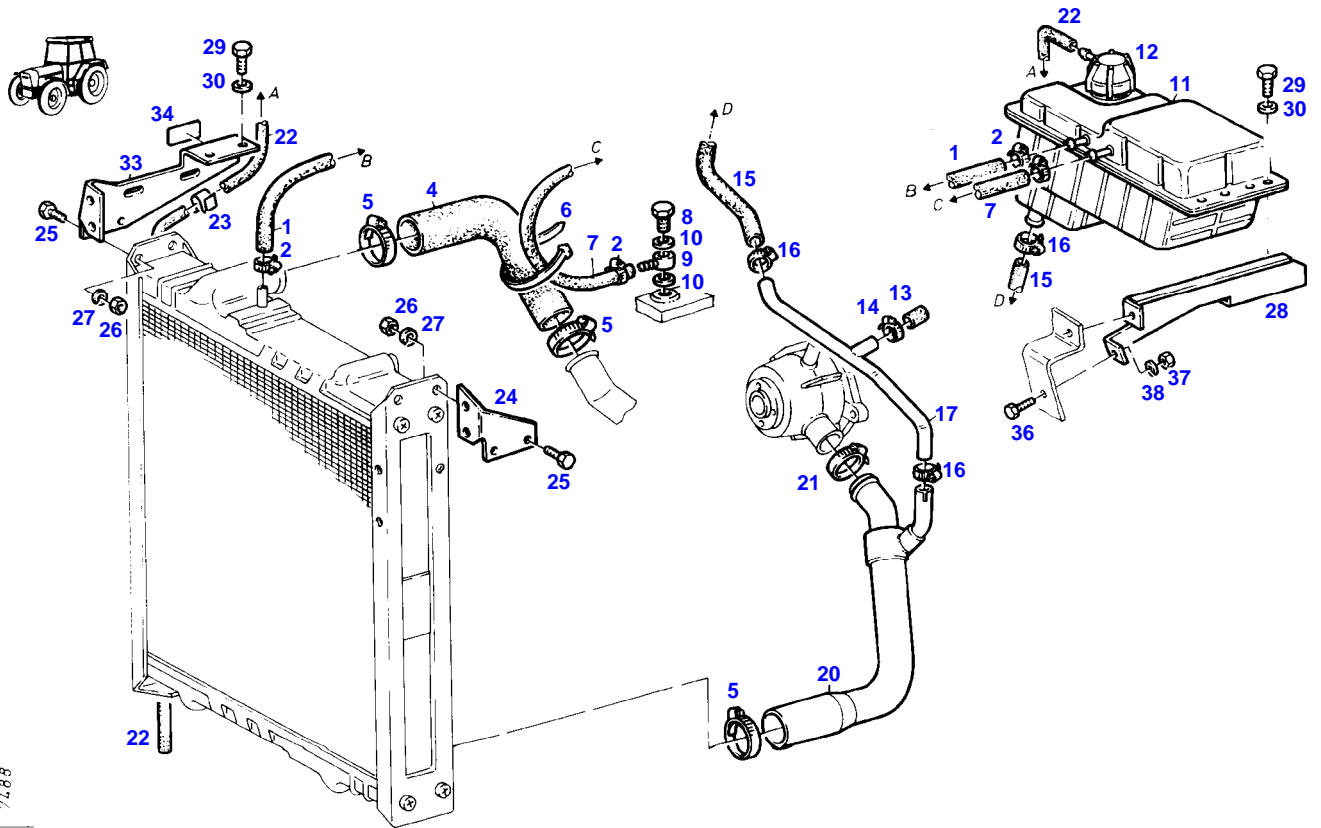
Page Number	Page Title	Page Reference
01-000-TOC	ENGINE, FUEL AND EXHAUST SYSTEM	01-000-TOC
02-000-TOC	AXLES	02-000-TOC
03-000-TOC	STEERING SYSTEM	03-000-TOC
04-000-TOC	DRIVE TRAIN SYSTEM	04-000-TOC
05-000-TOC	COMPRESSED AIR SYSTEM	05-000-TOC
06-000-TOC	HYDRAULIC SYSTEM	06-000-TOC
07-000-TOC	ELECTRICAL SYSTEM	07-000-TOC
08-000-TOC	CAB	08-000-TOC
09-000-TOC	AIR CONDITIONING AND HEATING SYSTEM	09-000-TOC
10-000-TOC	CHASSIS	10-000-TOC
11-000-TOC	WHEELS	11-000-TOC
12-000-TOC	IMPLEMENT LIFT SYSTEM FRONT	12-000-TOC
13-000-TOC	IMPLEMENT LIFT SYSTEM REAR	13-000-TOC
14-000-TOC	FRONT/REAR LOADERS	14-000-TOC
15-000-TOC	ATTACHMENTS	15-000-TOC
16-000-TOC	ACCESSORIES	16-000-TOC

FARMER 304 (158/20001-99999)
7487



Item	Part Number	Qty	Description Comments	Technical Specification
1	72348555	1	RADIATOR	
2	72395456	1	FAN COVER	
3	72315818	6	SCREW	DIN7976-ST4,2X25-C-A3L
4	72311817	6	DISC	DIN9021-4,3-140HV-A3L
6	72379109	1	MARKING PLATE	FWN66556-35X68-SCHUTZVORR.N.OE
9	72310718	4	BUSH	
10	72312479	8	UNIVERSAL SPOUT	
11	72313772	2	STUD BOLT	DIN 939 M8X30-8.8
12	72313320	2	NUT	DIN6925-M8-8-A3L
13	72311824	4	DISC	DIN9021-8,4-140HV-A3L
14	72315053	4	SPLIT WASHER	FWN 65208-8-A3L
15	72315660	2	HEXAGONAL HEAD BOLT	DIN 933 M8X35-8.8A3L
16	72313268	2	NUT	DIN 934 M8-8A3L
17	72397310	1	DRAINAGE PIPING	
18	72310182	1	STRAP	
19	72397315	4	STRAP	
20	72395459	1	STRAP	
21	72397306	1	BARRIER WALL	
23	72373806	5	TRUSS HEAD SCREW	DIN 603 M6X16-A3L
24	72313266	5	NUT	DIN 934 M6-8A3L
25	72311787	7	DISC	DIN 125-6,4-ST.A3L
26	72311788	5	DISC	DIN 125-8,4-ST.A3L
27	72315052	5	SPLIT WASHER	FWN 65208-6-A3L
28	72397309	2	HOLDER	
29	72315642	4	HEXAGONAL HEAD BOLT	DIN 933 M8 X 16-8.8A3L
31	72450560	1	SEALING STRIP 2X 470MM CUT TO LENGTH	

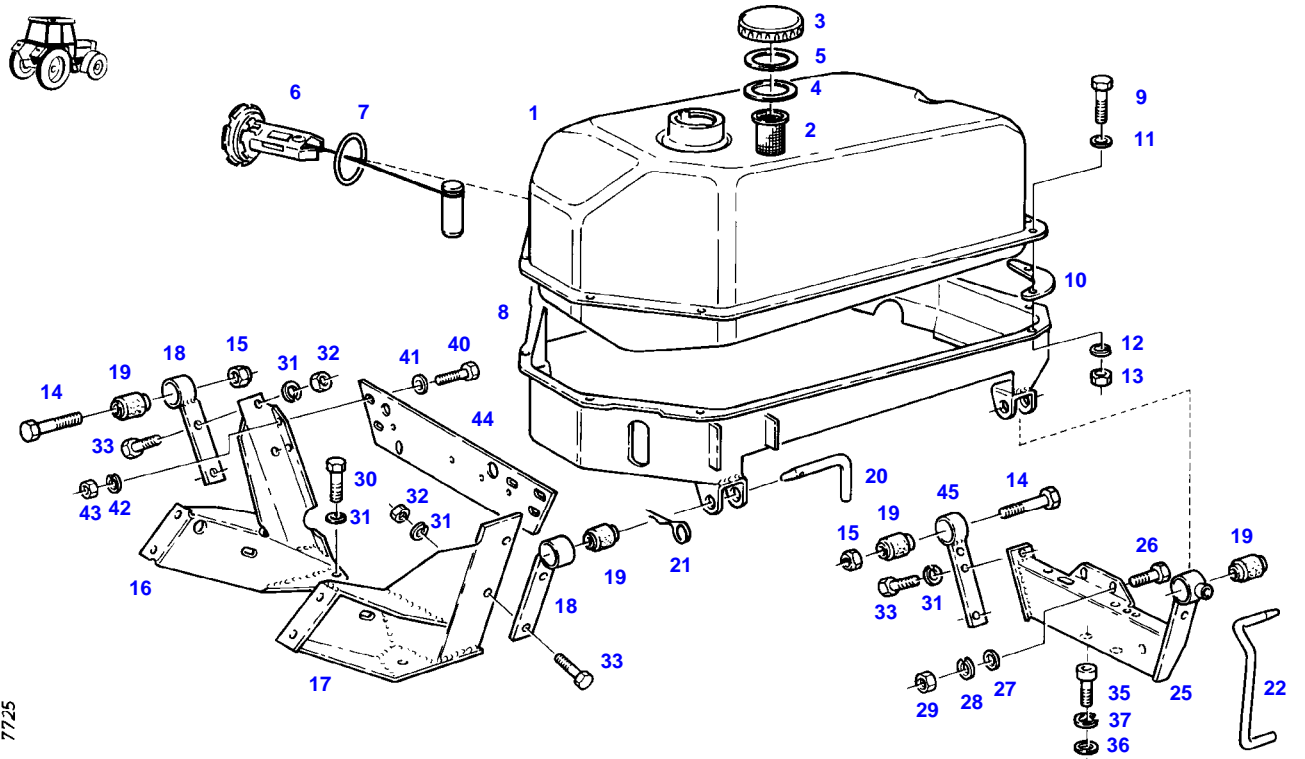
FARMER 304 (158/20001-99999)
7488



7488

Item	Part Number	Qty	Description Comments	Technical Specification
1	72622024	1	PRESSURE HOSE 190 MM CUT TO LENGTH	L=0,50M 8X3,5-FWN65911
2	72438345	4	HOSE CLIP	
4	72395457	1	RUBBER ARCH	
5	72311170	3	HOSE CLIP	
6	72316915	1	CABLE STRAP	FWN 66650 B290X4,8-SW
7	72450289	1	PRESSURE HOSE 510 MM CUT TO LENGTH	L=550 FWN 66041-M4
8	72315806	1	BANJO BOLT	DIN 7643-6-3-A3L
9	72377528	1	RING HOSE NIPPLE	FWN65910-A-DN4
10	72315088	2	SEALING WASHER	DIN 7603 A10X13,5-CU
11	72316897	1	EXPANSION TANK	
12	72310924	1	COLLER LOCKING	
13	72404925	1	CAP	
14	72311166	1	HOSE CLIP	
15	72435869	1	RUBBER ARCH	
16	72311166	3	HOSE CLIP	
17	72357764	1	PIPE	
20	72395458	1	COOLANT LINE	
21	72311162	1	HOSE CLIP	
22	72442422	1	HOSE 1000 MM CUT TO LENGTH	L=1500MM
23	72312049	3	HOSE RETAINER	
24	72397308	1	RETAINER	
25	72315642	2	HEXAGONAL HEAD BOLT	DIN 933 M8 X 16-8.8A3L
26	72313268	6	NUT	DIN 934 M8-8A3L
27	72315053	6	SPLIT WASHER	FWN 65208-8-A3L
28	72397312	1	BRACKET	
29	72315821	4	SCREW	DIN7976-ST6,3X19-C-A3L
30	72311822	6	DISC	DIN9021-6,4-140HV-A3L
33	72395461	1	RETAINER	
34	72397318	1	MARKING PLATE	
36	72315629	1	HEXAGONAL HEAD BOLT	DIN 933 M6 X 12-8.8A3L
37	72313266	1	NUT	DIN 934 M6-8A3L
38	72315052	1	SPLIT WASHER	FWN 65208-6-A3L

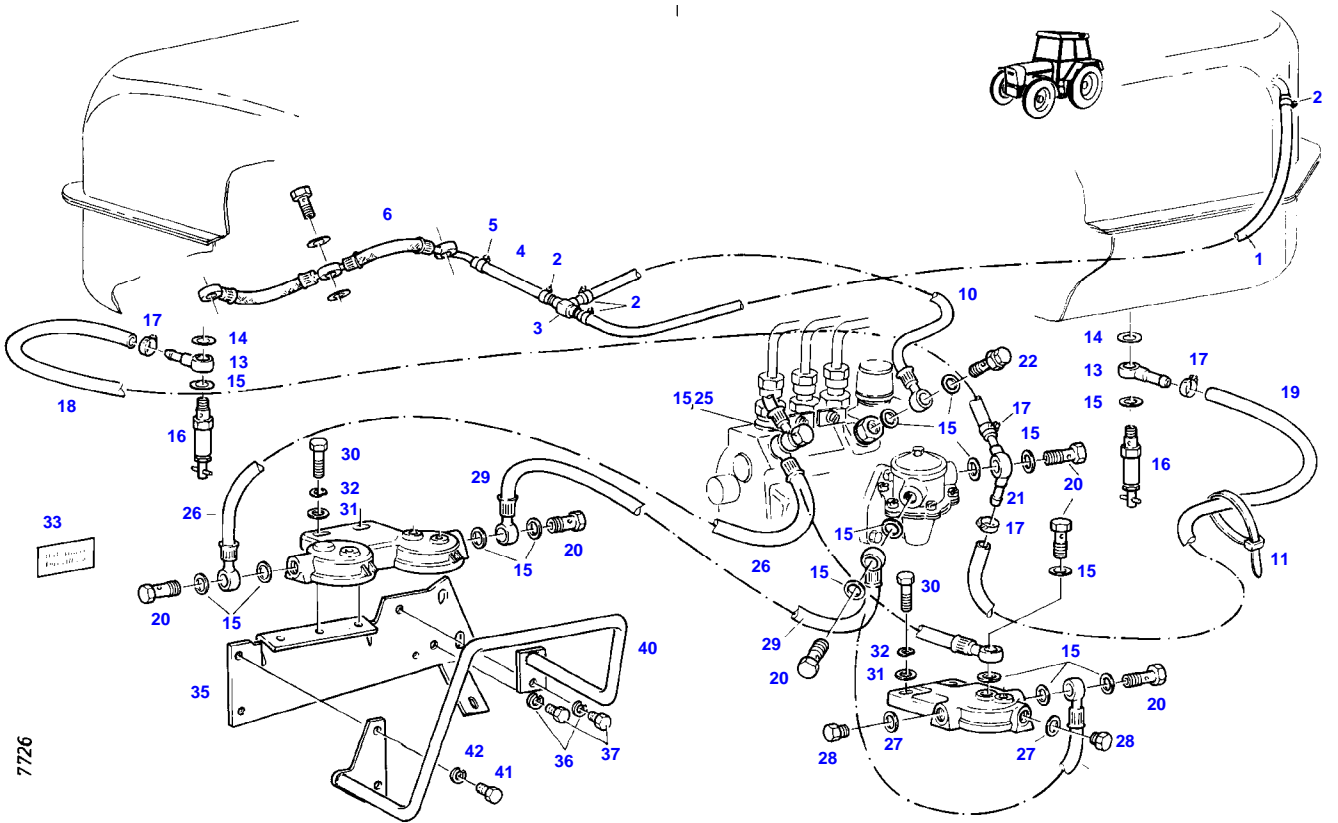
FARMER 304 (158/20001-99999)
7725



FUEL TANK

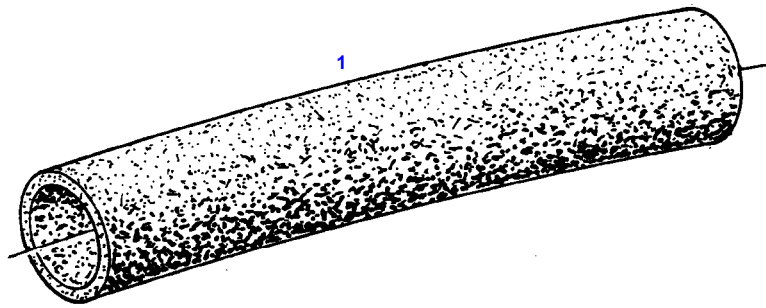
Item	Part Number	Qty	Description Comments	Technical Specification
1	72348236	1	FUEL TANK	
2	72433112	1	STRAINER	60X100-MS
3	72380143	1	FUEL CAP KOEHLER	M.BELUEF
	72348297	1	FUEL CAP LOCKABLE BLAU ><4	
4	72330725	1	SEAL BLAU	
	72312304	1	RUBBER SEAL KOEHLER	
5	72330726	1	SEAL BLAU	
6	72348556	1	FUEL LEVEL SENSOR ><7 <-- G148.200.060.011	
7	72315169	1	SEALING WASHER	
8	72355536	1	TANK FRAME	
9	72315626	8	HEXAGONAL HEAD BOLT	DIN 933-M6 X 16-8.8-A3L
10	72393006	2	SHEET METAL	
11	72311822	16	DISC	DIN9021-6,4-140HV-A3L
12	72315052	8	SPLIT WASHER	FWN 65208-6-A3L
13	72313266	8	NUT	DIN 934 M6-8A3L
14	72315719	2	HEXAGONAL HEAD BOLT	DIN 933 M12X60-8.8A3L
15	72313325	2	NUT	DIN 980-VM12-8-A3L
16	72355440	1	BRACKET --> 158/20965 <-- 158/20967 --> 158/21038 <-- 158/21049 --> 158/21121	
	72356748	1	BRACKET <-- 158/20966 --> 158/20966 <-- 158/21039 --> 158/21048 <-- 158/21122	
17	72355441	1	BRACKET --> 158/20965 <-- 158/20967 --> 158/21038 <-- 158/21049 --> 158/21121	
	72356749	1	BRACKET <-- 158/20966 --> 158/20966 <-- 158/21039 --> 158/21048 <-- 158/21122	
18	72356758	2	SUPPORT ARM	
19	72310644	4	RUBBER BUSHING	
20	72407288	2	BEARING PIN	
21	72311183	2	HAIR COTTER PIN	DIN 11024-4-A3L
22	72393681	1	BEARING PIN	
25	72357771	1	CROSSMEMBER	
26	72315689	2	HEXAGONAL HEAD BOLT	DIN 933 M10X35-8.8A3L
27	72311789	2	DISC	DIN 125-10,5-ST.A3L
28	72317122	2	SPRING WASHER	DIN 137 B10-MECH.VZK
29	72313272	2	NUT	DIN 934 M10-8A3L
30	72315642	6	HEXAGONAL HEAD BOLT	DIN 933 M8 X 16-8.8A3L
31	72315053	12	SPLIT WASHER	FWN 65208-8-A3L
32	72313268	4	NUT	DIN 934 M8-8A3L
33	72315653	4	HEXAGONAL HEAD BOLT	DIN 933 M8 X 25-8.8A3L
35	72374066	2	SOCKET HEAD BOLT	DIN 912 M12X20-8.8
36	72311804	2	DISC	DIN 433-13-ST.A3L
37	72315055	2	SPLIT WASHER	FWN 65208-12-A3L
40	72315631	4	HEXAGONAL HEAD BOLT	DIN 933 M6 X 20-8.8A3L
41	72311822	4	DISC	DIN9021-6,4-140HV-A3L
42	72315052	4	SPLIT WASHER	FWN 65208-6-A3L
43	72313266	4	NUT	DIN 934 M6-8A3L
44	72397321	1	SHEET METAL	
45	72357768	1	SUPPORT ARM	

FARMER 304 (158/20001-99999)
7726



7726

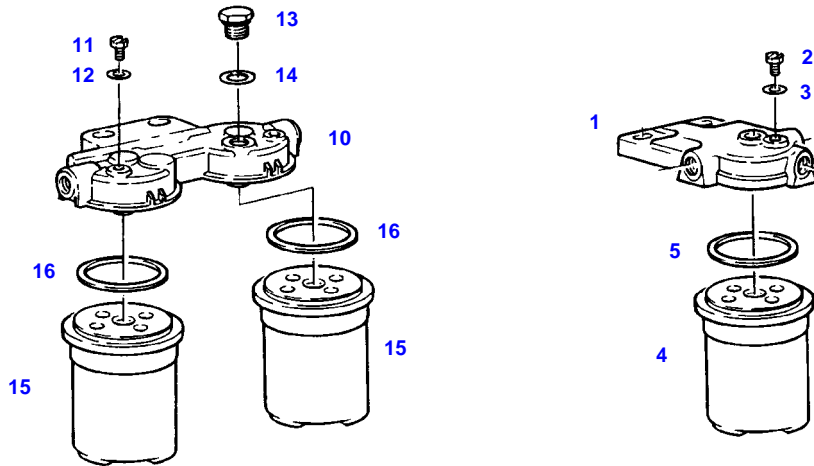
Item	Part Number	Qty	Description Comments	Technical Specification
1	72450301	1	PRESSURE HOSE 750 MM CUT TO LENGTH	L=1000
2	72438345	4	HOSE CLIP	
3	72380023	1	TEE FITTING	
4	72450301	1	PRESSURE HOSE 150 MM CUT TO LENGTH	L=1000
5	72438345	1	HOSE CLIP	
6	72329530	1	LEAKAGE OIL LINE	
10	72356761	1	FUEL LINE	
11	72316916	3	CABLE STRAP	FWN 66650 B175X4-SW
13	72377531	2	RING HOSE NIPPLE	FWN65910-A-DN8
14	72315093	2	SEALING WASHER	DIN 7603 A12X18-CU
15	72315095	15	SEALING WASHER	DIN 7603 A14X20-CU
16	72380159	2	FUEL SHUT-OFF VALVE	
17	72438345	4	HOSE CLIP	
18	72450303	1	PRESSURE HOSE 800 MM CUT TO LENGTH	L=1000
19	72450303	1	PRESSURE HOSE 980 MM CUT TO LENGTH	L=1000
20	72315808	3	BANJO BOLT	DIN 7643-10-3-A3L
21	72377533	1	DOUBLE NIPPLE	FWN65910-DN8-120GR
22	72380268	1	BLEED AND DRAIN VALVE	
25	72310187	1	DOUBLE BOLT	
26	72355537	1	FUEL LINE	
27	72315095	2	SEALING WASHER	DIN 7603 A14X20-CU
28	72315799	2	PLUG	DIN 7604 AM14X1,5-A3L
29	72356760	1	FUEL LINE --> 158/21374	
	72355325	1	FUEL LINE <-- 158/21375	
30	72315653	2	HEXAGONAL HEAD BOLT	DIN 933 M8 X 25-8.8A3L
31	72311824	2	DISC	DIN9021-8,4-140HV-A3L
32	72315053	2	SPLIT WASHER	FWN 65208-8-A3L
33	72393682	1	MARKING PLATE	
35	72357112	1	FILTER RETAINER	
36	72315053	3	SPLIT WASHER	FWN 65208-8-A3L
37	72315642	3	HEXAGONAL HEAD BOLT	DIN 933 M8 X 16-8.8A3L
40	72357121	1	PROTECTION BAR	
41	72315642	1	HEXAGONAL HEAD BOLT	DIN 933 M8 X 16-8.8A3L
42	72315053	1	SPLIT WASHER	FWN 65208-8-A3L



8555

Item	Part Number	Qty	Description Comments	Technical Specification
RAPE SEED OIL METHYLATED ESTER				
1	72436293	1	HEAT SHRINK TUBING 1X 2500 MM CUT TO LENGTH	L=2600
	72436294	X	HEAT SHRINK TUBING 1X 3000 MM CUT TO LENGTH	L=3100
	72436295	1	HEAT SHRINK TUBING 1X 2000 MM CUT TO LENGTH	L=2100

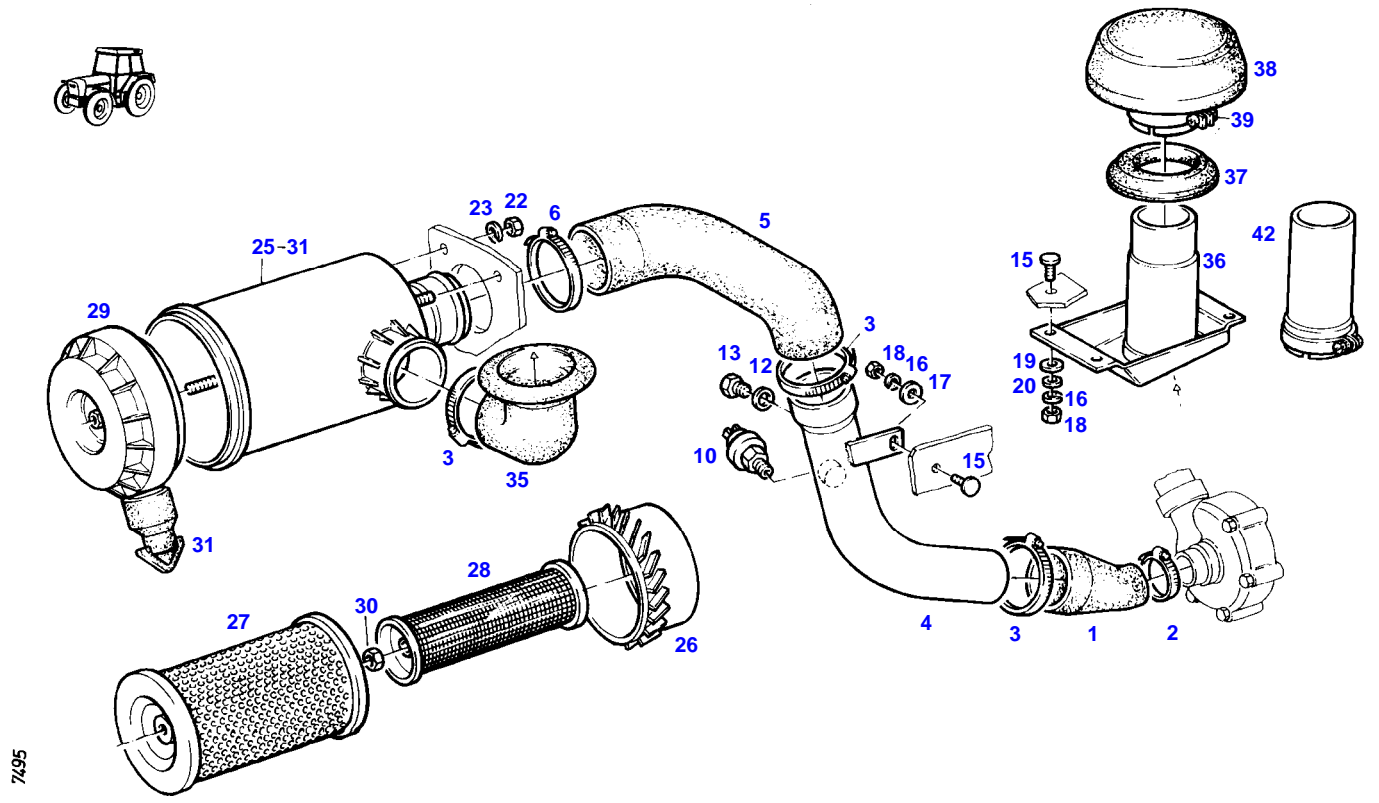
FARMER 304 (158/20001-99999)
4952



4952

Item	Part Number	Qty	Description Comments	Technical Specification
1	72615599	1	FILTER LID ><2,3	
2	72323290	1	BLEED SCREW	
3	72315084	1	SEALING WASHER	DIN 7603 A6X10-CU
4	72416928	1	FILTER BOX ><5	
5	72314995	1	RUBBER RING PARALLEL-FILTER	
10	72380173	1	PARALLEL FILTER BOSCH ><11-16 <-- X810.190.166.000 1X <>	
	72416928	2	FILTER BOX	
	72451307	1	COVER KNECHT ><11-12 <>	PARALLELFILT.
	72416928	2	FILTER BOX	
11	72323290	2	BLEED SCREW BOSCH	
	72314699	2	BLEED SCREW KNECHT	
12	72315084	2	SEALING WASHER BOSCH	DIN 7603 A6X10-CU
	72315086	2	SEALING WASHER KNECHT	DIN 7603 A8X11,5-CU
13	72326250	1	SCREW BOSCH	
14	72315095	1	SEALING WASHER BOSCH	DIN 7603 A14X20-CU
15	72416928	2	FILTER BOX ><16	
16	72314995	2	RUBBER RING	

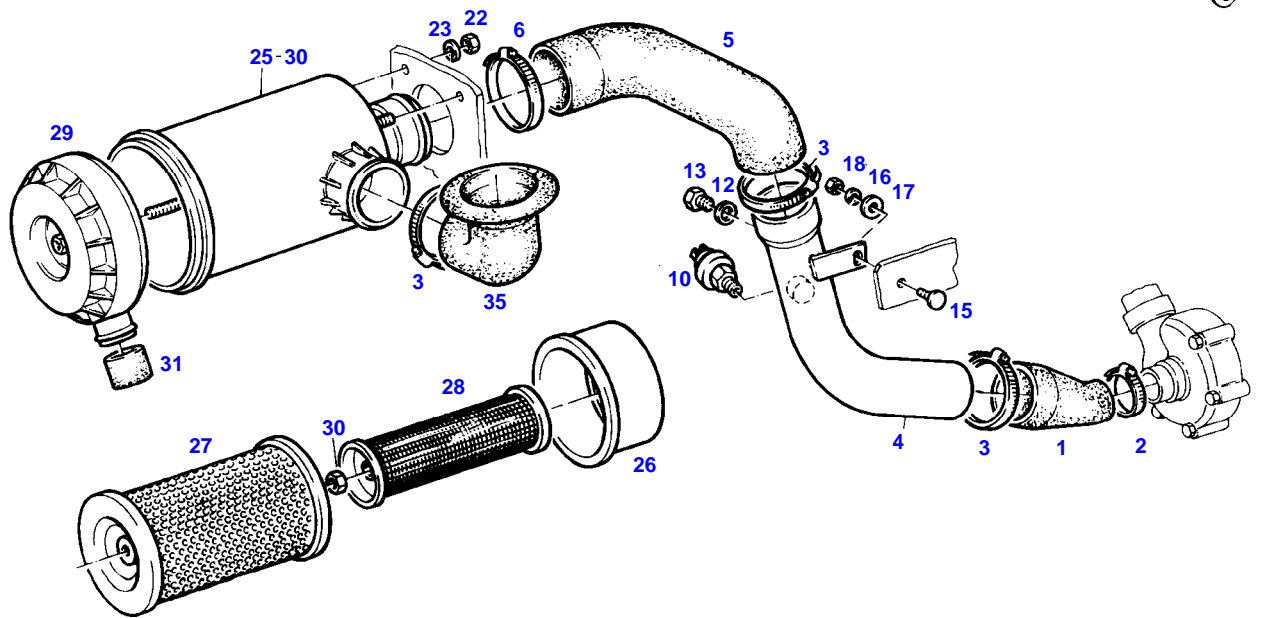
FARMER 304 (158/20001-99999)
7495



7495

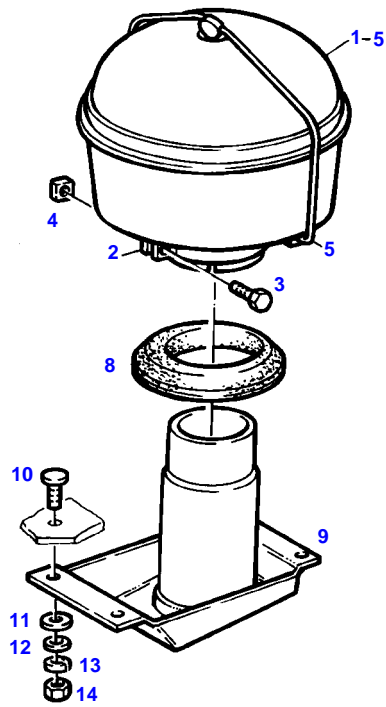
Item	Part Number	Qty	Description Comments	Technical Specification
PICLON				
1	72393007	1	REDUCER	
2	72311163	1	HOSE CLIP	
3	72311171	3	HOSE CLIP	
4	72355538	1	INTAKE MANIFOLD	
5	72395930	1	RUBBER ARCH	
6	72311172	1	HOSE CLIP	
10	72316876	1	MAINTENANCE SWITCH	
12	72315101	1	SEALING WASHER	DIN 7603 A22X27-CU
13	72315802	1	SCREW	DIN 7604 AM22X1,5-ST
15	72373809	5	TRUSS HEAD SCREW	DIN 603 M6X20-A3L
16	72315052	5	SPLIT WASHER	FWN 65208-6-A3L
17	72311822	1	DISC	DIN9021-6,4-140HV-A3L
18	72313266	5	NUT	DIN 934 M6-8A3L
19	72311787	4	DISC	DIN 125-6,4-ST.A3L
20	72311788	4	DISC	DIN 125-8,4-ST.A3L
22	72313268	4	NUT	DIN 934 M8-8A3L
23	72315053	4	SPLIT WASHER	FWN 65208-8-A3L
25	72348192	1	AIR FILTER ><26-31	
26	72329111	1	DIFFUSER	
27	72329734	1	MICRO-TOP CARTRIDGE	
28	72329735	1	SAFETY CARTRIDGE	
29	72329736	1	FLOOR	
30	72372827	1	NUT	DIN 934 M16X1,5-10A3L
31	72326122	1	DUST DISCHARGE VALVE	
35	72397326	1	BELLOWS	
36	72357774	1	AIR INTAKE	
37	72397329	1	SEALING RING	
38	72348784	1	RAIN CAP ><39	
39	72333025	1	PIPE CLAMP	
42	72348666	1	CONNECTING PIPE	

FARMER 304 (158/20001-99999)
7496



7496

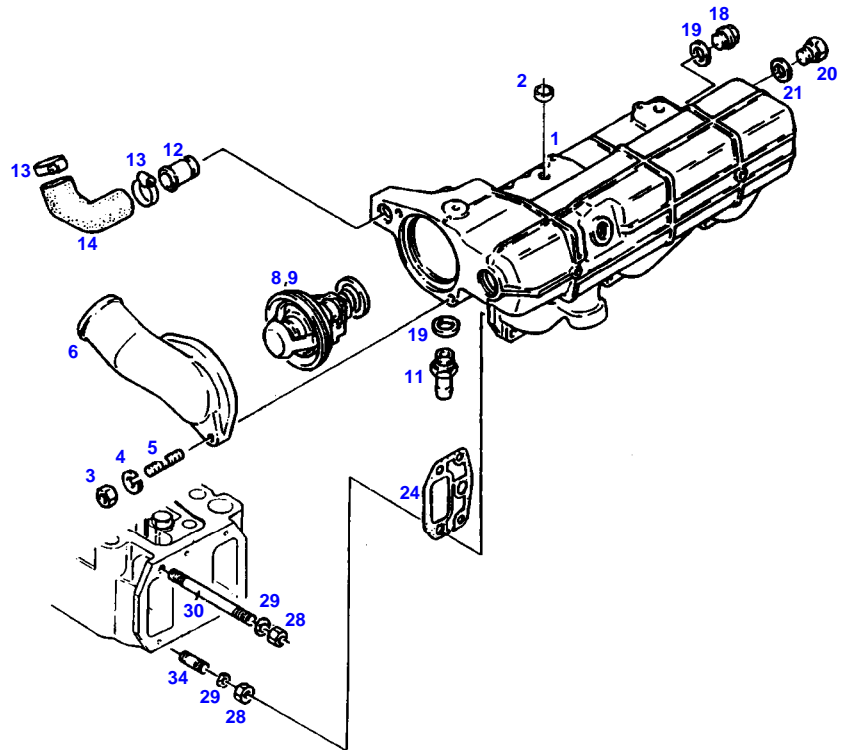
Item	Part Number	Qty	Description Comments	Technical Specification
			PICO	
1	72393007	1	REDUCER	
2	72311163	1	HOSE CLIP	
3	72311171	3	HOSE CLIP	
4	72355538	1	INTAKE MANIFOLD	
5	72395930	1	RUBBER ARCH	
6	72311172	1	HOSE CLIP	
10	72316876	1	MAINTENANCE SWITCH	
12	72315101	1	SEALING WASHER	DIN 7603 A22X27-CU
13	72315802	1	SCREW	DIN 7604 AM22X1,5-ST
15	72373809	1	TRUSS HEAD SCREW	DIN 603 M6X20-A3L
16	72315052	1	SPLIT WASHER	FWN 65208-6-A3L
17	72311822	1	DISC	DIN9021-6,4-140HV-A3L
18	72313266	1	NUT	DIN 934 M6-8A3L
22	72313268	4	NUT	DIN 934 M8-8A3L
23	72315053	4	SPLIT WASHER	FWN 65208-8-A3L
25	72348193	1	AIR FILTER ><26-30	
26	72329412	1	GUIDE RING	
27	72329734	1	MICRO-TOP CARTRIDGE	
28	72329735	1	SAFETY CARTRIDGE	
29	72329411	1	FLOOR	
30	72372827	1	NUT	DIN 934 M16X1,5-10A3L
31	72392801	1	CAP	
35	72397326	1	BELLOWS	



7497

Item	Part Number	Qty	Description Comments	Technical Specification
			PICO	
1	72348194	1	CYCLONE AIR CLEANER ><1-5	
	72329416	1	DUST CUP	
2	72329414	1	PIPE CLAMP	
3	72329413	1	HEXAGONAL HEAD BOLT	
4	72372783	1	SQUARE NUT	DIN 557 M6-5 A3L
5	72329415	1	HOLDER	
8	72397329	1	SEALING RING	
9	72357774	1	AIR INTAKE	
10	72373809	4	TRUSS HEAD SCREW	DIN 603 M6X20-A3L
11	72311788	4	DISC	DIN 125-8,4-ST.A3L
12	72311787	4	DISC	DIN 125-6,4-ST.A3L
13	72315052	4	SPLIT WASHER	FWN 65208-6-A3L
14	72313266	4	NUT	DIN 934 M6-8A3L

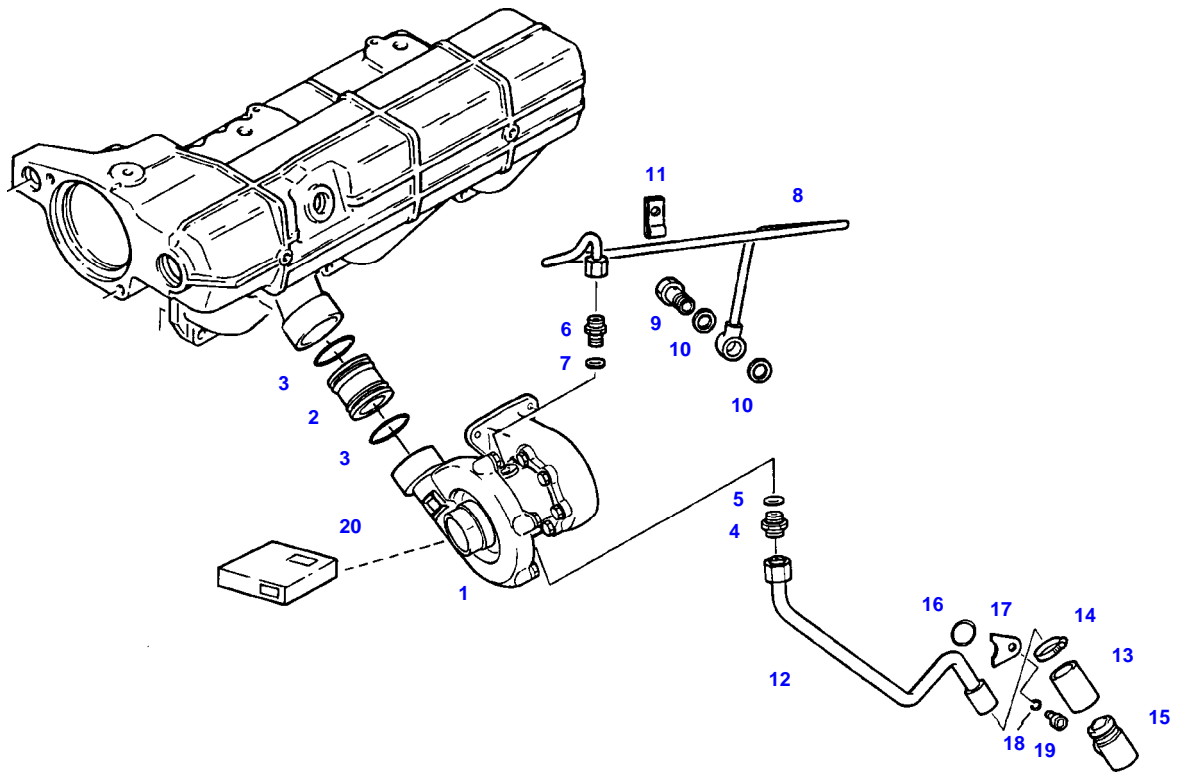
FARMER 304 (158/20001-99999)
8980



8980

Item	Part Number	Qty	Description Comments	Technical Specification
1	72393004	1	INTAKE MANIFOLD	
2	72311455	2	COVER	
3	72372805	2	NUT	DIN 934 M8-10 C2A
4	72315053	2	SPLIT WASHER	FWN 65208-8-A3L
5	72373904	2	STUD BOLT	DIN 835-M8X30-8.8
6	72397293	1	COVER	
8	72348782	1	THERMOSTAT ><9	
	72333024	1	THERMOSTAT 85 C SCANDINAVIA	
9	72397296	1	BRUSH SEALING	
11	72396595	1	HOSE BARB	
12	72411402	1	HOSE BARB <>	
	72315101	1	SEALING WASHER	DIN 7603 A22X27-CU
13	72311168	2	HOSE CLIP	
14	72395453	1	RUBBER ARCH	
18	72315802	1	SCREW	DIN 7604 AM22X1,5-ST
19	72315101	2	SEALING WASHER	DIN 7603 A22X27-CU
20	72315798	1	PLUG	DIN 7604 AM12X1,5-ST
21	72315093	1	SEALING WASHER	DIN 7603 A12X18-CU
24	72397295	3	MOLDED SEAL	
28	72373015	9	NUT	DIN70615-M10-8-A3B
29	72386496	9	DISC	
30	72374658	3	STUD BOLT	DIN 939-M10X100-8.8
34	72374646	6	STUD BOLT	DIN 939 M10X30-8.8

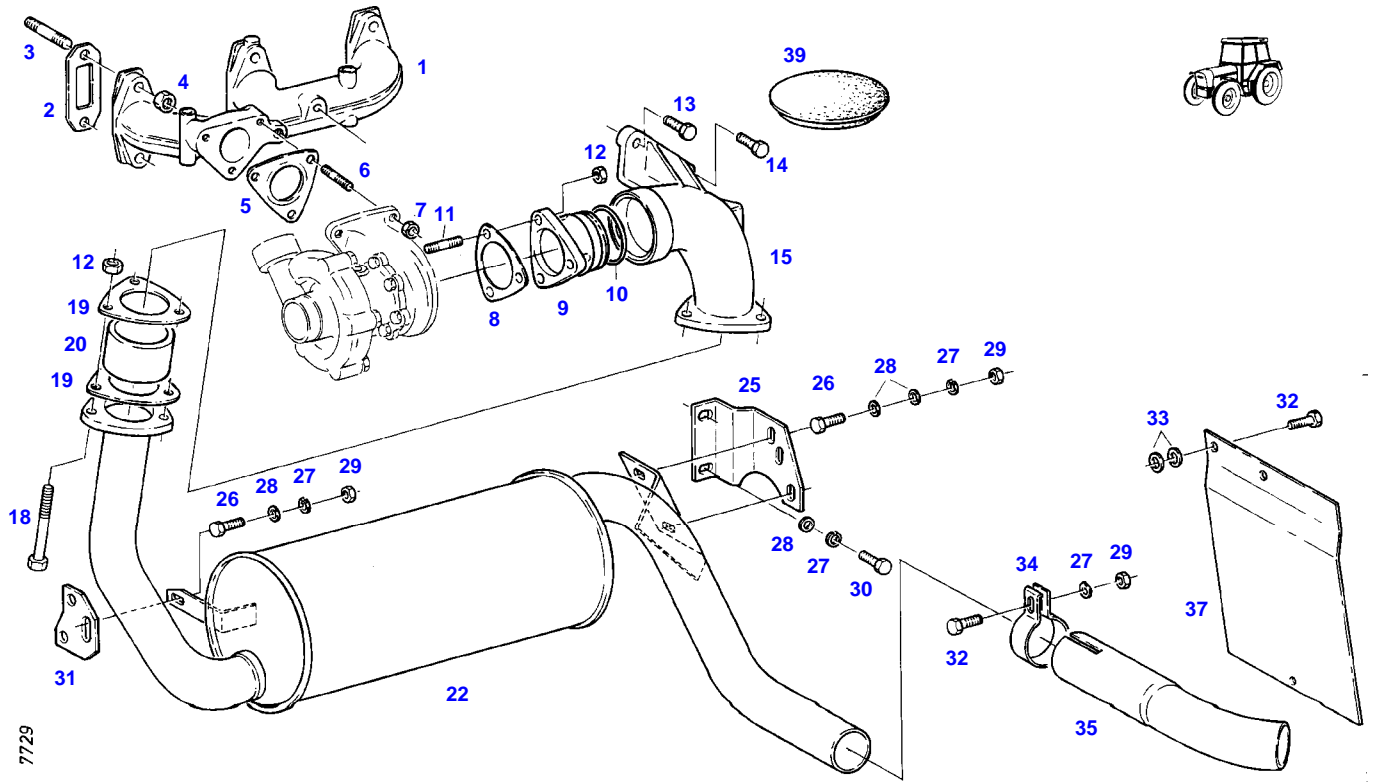
FARMER 304 (158/20001-99999)
7728



7728

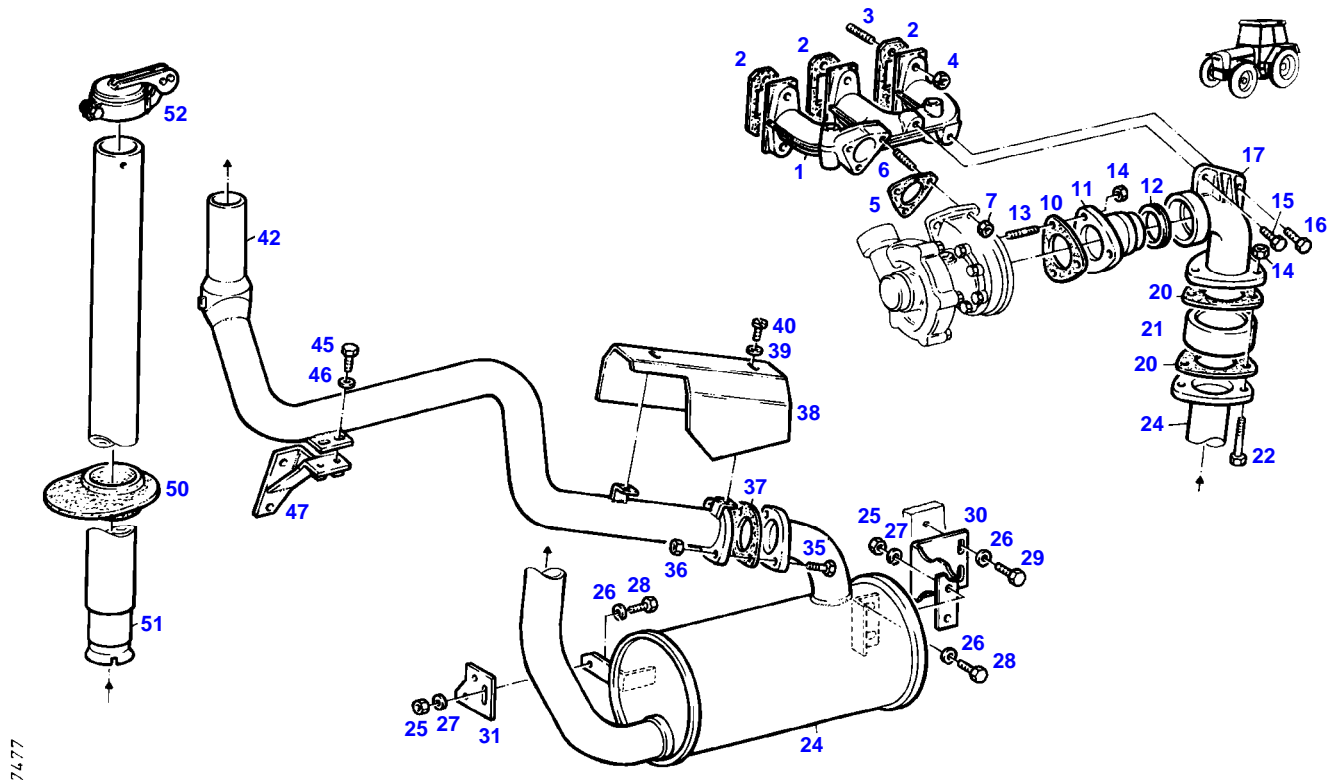
Item	Part Number	Qty	Description Comments	Technical Specification
1	72329531	1	TURBOCHARGER ><20	
2	72329534	1	CONNECTING PIECE	
3	72376526	2	O-RING	35X4
4	72377894	1	SCREW NECK	
5	72376066	1	SEALING WASHER	DIN 7603 D16X20-CU
6	72377895	1	SCREW NECK	DIN 3901-L8A-M-ST-A3L
7	72376065	1	SEALING WASHER	DIN 7603 D12X16-CU
8	72329535	1	LUBE OIL LINE	
9	72374956	1	BANJO BOLT	DIN7623/3.70-A10-6.8
10	72315098	2	SEALING WASHER	DIN 7603 A16X22-CU
11	72329536	1	PIPE CLAMP	
12	72329537	1	LUBE OIL LINE	
13	72332160	1	HOSE PIECE	
14	72311167	2	HOSE CLIP	
15	72343888	1	MANIFOLD	
16	72343889	1	SEAL	
17	72343890	1	RETAINING SHEET METAL	
18	72315053	1	SPLIT WASHER	FWN 65208-8-A3L
19	72315489	1	SOCKET HEAD BOLT	DIN 912-M8 X 16-8.8-A3L
20	72329532	1	SPARE PARTS KIT	

FARMER 304 (158/20001-99999)
7729



Item	Part Number	Qty	Description Comments	Technical Specification
1	72424971	1	EXHAUST PIPE	
2	72332145	3	MOLDED SEAL	
3	72374647	6	STUD BOLT	DIN 939-M10X40-8.8
4	72373015	6	NUT	DIN70615-M10-8-A3B
5	72329538	1	MOLDED SEAL	
6	72313771	3	STUD BOLT	DIN 939-M8X25-24CRMOV55
7	72372941	3	NUT	FS M8-HQPQ
8	72392991	1	SEAL	
9	72392990	1	FLANGE	
10	72332980	1	LAMELLAR RING	
11	72313770	3	STUD BOLT	FWN64891-M8X20-8.8
12	72313269	6	NUT	DIN 934 M8-8C2A
13	72315681	1	HEXAGONAL HEAD BOLT	DIN 933 M10X25-8.8A3L
14	72374440	1	HEXAGONAL HEAD BOLT	DIN 933 M10X22-8.8
15	72392989	1	MANIFOLD	
18	72315539	3	HEXAGONAL HEAD BOLT	DIN 931 M8X80-8.8 A3L
19	72407298	2	MOLDED SEAL	
20	72393009	1	INTERMEDIATE PIECE	
22	72355539	1	EXHAUST MUFFLER	
25	72395463	1	RETAINING BRACKET	
26	72315646	3	HEXAGONAL HEAD BOLT	DIN 933 M8X18-8.8A3L
27	72315053	6	SPLIT WASHER	FWN 65208-8-A3L
28	72311788	8	DISC	DIN 125-8,4-ST.A3L
29	72313268	4	NUT	DIN 934 M8-8A3L
30	72315642	2	HEXAGONAL HEAD BOLT	DIN 933 M8 X 16-8.8A3L
31	72395934	1	RETAINING SHEET METAL	
32	72315657	3	HEXAGONAL HEAD BOLT	DIN 933 M8 X 30-8.8A3L
33	72311824	4	DISC	DIN9021-8,4-140HV-A3L
34	72373437	1	PIPE CLAMP	DIN71555-63,5 EDELSTAHL
35	72393695	1	EXHAUST TAILPIPE	
37	72395464	1	DEFLECTOR	
39	72397378	1	COVER	

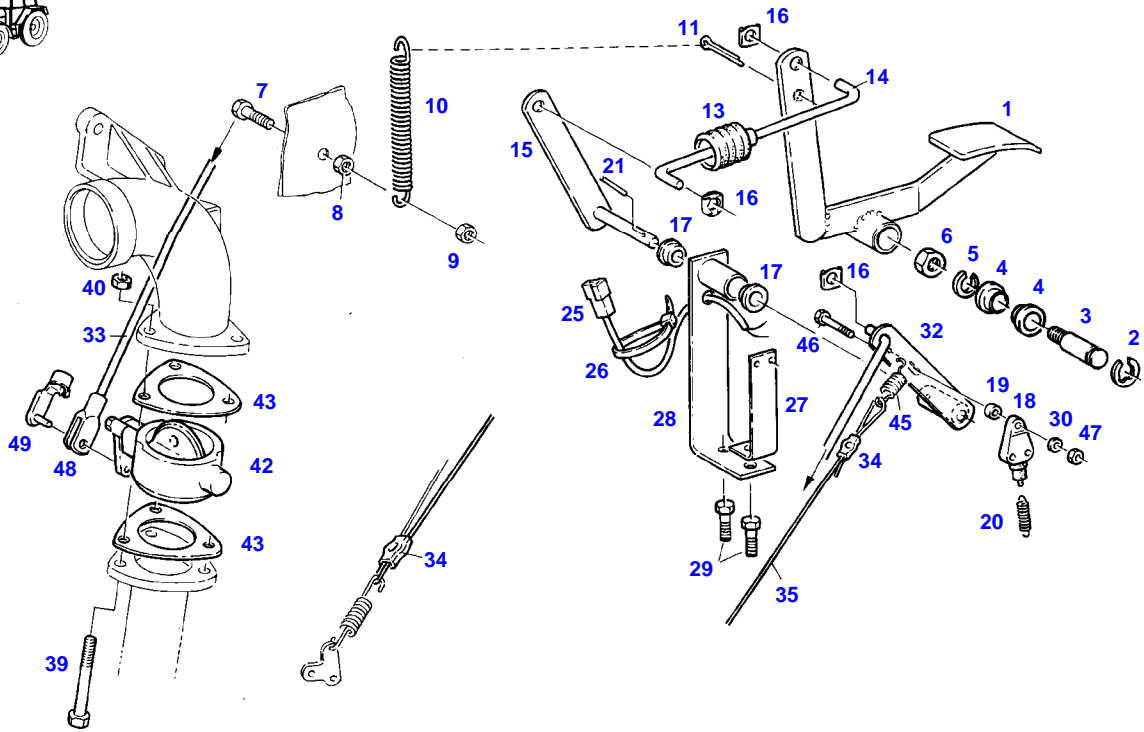
FARMER 304 (158/20001-99999)
7477



7477

Item	Part Number	Qty	Description Comments	Technical Specification
1	72424971	1	EXHAUST PIPE	
2	72332145	3	MOLDED SEAL	
3	72374647	6	STUD BOLT	DIN 939-M10X40-8.8
4	72373015	6	NUT	DIN70615-M10-8-A3B
5	72329538	1	MOLDED SEAL	
6	72313771	3	STUD BOLT	DIN 939-M8X25-24CRMOV55
7	72372941	3	NUT	FS M8-HQPQ
10	72392991	1	SEAL	
11	72392990	1	FLANGE	
12	72332980	1	LAMELLAR RING	
13	72313770	3	STUD BOLT	FWN64891-M8X20-8.8
14	72313269	6	NUT	DIN 934 M8-8C2A
15	72315681	1	HEXAGONAL HEAD BOLT	DIN 933 M10X25-8.8A3L
16	72374440	1	HEXAGONAL HEAD BOLT	DIN 933 M10X22-8.8
17	72392989	1	MANIFOLD	
20	72407298	2	MOLDED SEAL	
21	72393009	1	INTERMEDIATE PIECE	
22	72315539	3	HEXAGONAL HEAD BOLT	DIN 931 M8X80-8.8 A3L
24	72355532	1	EXHAUST MUFFLER	
25	72313268	3	NUT	DIN 934 M8-8A3L
26	72315053	5	SPLIT WASHER	FWN 65208-8-A3L
27	72311788	6	DISC	DIN 125-8,4-ST.A3L
28	72315646	3	HEXAGONAL HEAD BOLT	DIN 933 M8X18-8.8A3L
29	72315642	2	HEXAGONAL HEAD BOLT	DIN 933 M8 X 16-8.8A3L
30	72393008	1	RETAINING BRACKET	
			CODE 013,014,015	
	72392992	1	RETAINING BRACKET	
			CODE 012	
31	72395934	1	RETAINING SHEET METAL	
35	72315685	2	HEXAGONAL HEAD BOLT	DIN 933 M10X30-8.8A3L
36	72313273	2	NUT	DIN 934 M10-MS
37	72376173	1	SEAL	DIN71511-56X82X1,5-ST AFM5M.E.
38	72392994	1	SHROUD PANEL	
39	72311822	2	DISC	DIN9021-6,4-140HV-A3L
40	72315820	2	SCREW	DIN7976-ST6,3X13-C-A3L
42	72355523	1	EXHAUST PIPE	
45	72315650	2	HEXAGONAL HEAD BOLT	DIN 933 M8 X 20-8.8A3L
46	72311824	2	DISC	DIN9021-8,4-140HV-A3L
47	72355526	1	RETAINER	
50	72397330	1	SEALING CUP	
51	72355528	1	END PIPE	
			<>	
	72348670	1	EXTENSION TUBE	
52	72348233	1	EXHAUST WEATHER CAP	

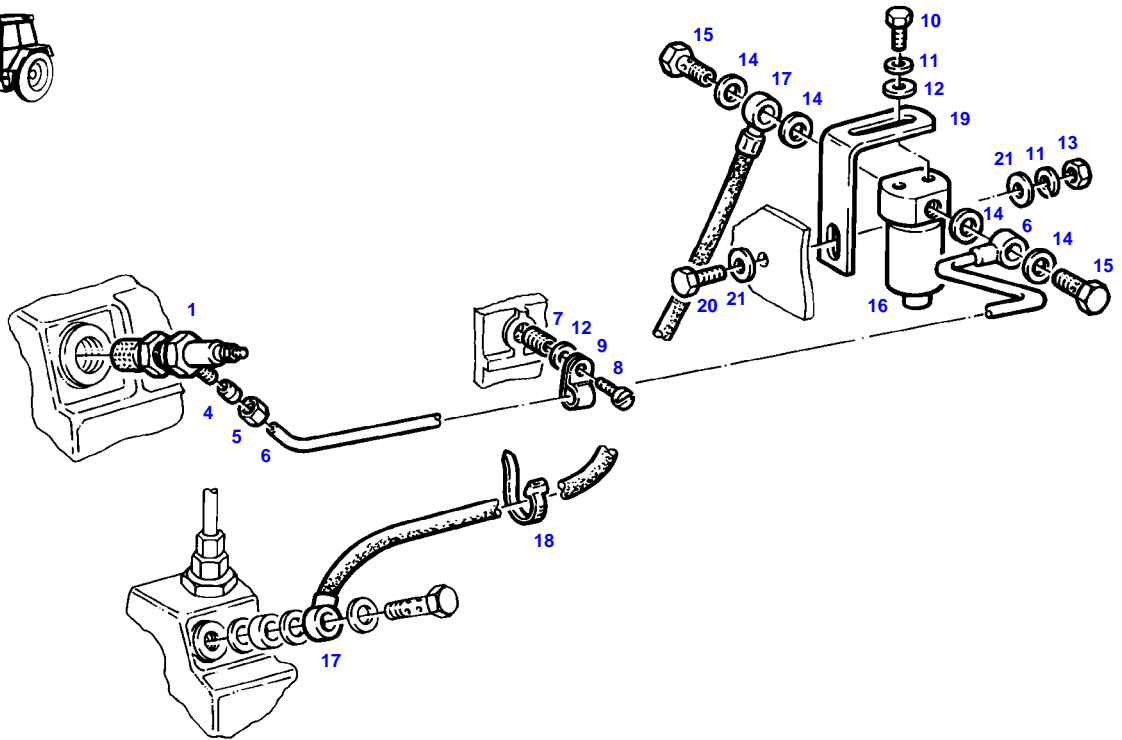
FARMER 304 (158/20001-99999)
7166



7166

Item	Part Number	Qty	Description Comments	Technical Specification
1	72356732	1	FOOT LEVER	
2	72317146	1	LOCK WASHER	DIN6799-12-A3L
3	72394196	1	CARRIER	
4	72310596	2	BUSH	
5	72315054	1	SPLIT WASHER	FWN 65208-10-A3L
6	72313272	1	NUT	DIN 934 M10-8A3L
7	72315630	1	HEXAGONAL HEAD BOLT	DIN 933 M6X18-8.8A3L
8	72313266	1	NUT	DIN 934 M6-8A3L
9	72313318	1	NUT	DIN6925-M6-8-A3L
10	72394186	1	PULLING SPRING	
11	72313879	1	COTTER	DIN 94-5X20-ST.A3L
13	72377280	1	BELLOWS	
14	72395433	1	ROD	
15	72356730	1	LEVER	
16	72311180	3	DUO-CLIP	8 SXN10
17	72393653	2	BUSH	
18	72380934	1	STOP LIGHT SWITCH	
19	72310699	1	BUSH	
20	72380433	1	PULLING SPRING	
21	72375133	1	TENSIONING PIN	ISO8752-4X24-A-ST-OB3
25	72356753	1	CABLE KIT	
26	72316916	3	CABLE STRAP	FWN 66650 B175X4-SW
27	72395435	1	ANGLE	
28	72356731	1	CARRIER	
29	72315657	2	HEXAGONAL HEAD BOLT	DIN 933 M8 X 30-8.8A3L
30	72311817	3	DISC	DIN9021-4,3-140HV-A3L
32	72355458	1	LEVER	
33	72392998	1	ROD	
34	72333529	2	CABLE CLAMP	
35	72450805	1	ROPE 1X 450 MM CUT TO LENGTH	L=1000 DIN 3055-2-FE-ZNK 15
39	72315539	3	HEXAGONAL HEAD BOLT	DIN 931 M8X80-8.8 A3L
40	72313269	3	NUT	DIN 934 M8-8C2A
42	72348235	1	ENGINE BRAKE	
43	72407298	2	MOLDED SEAL	
45	72316492	1	PULLING SPRING	
46	72315617	1	HEXAGONAL HEAD BOLT	DIN 933 M4X30-8.8A3L
47	72313263	1	NUT	DIN 934 M4-8A3L
48	72311309	1	CLEVIS	DIN 71752 G8X32-A3L
49	72372473	1	BOLT	FWN 64072 8X32 A3L

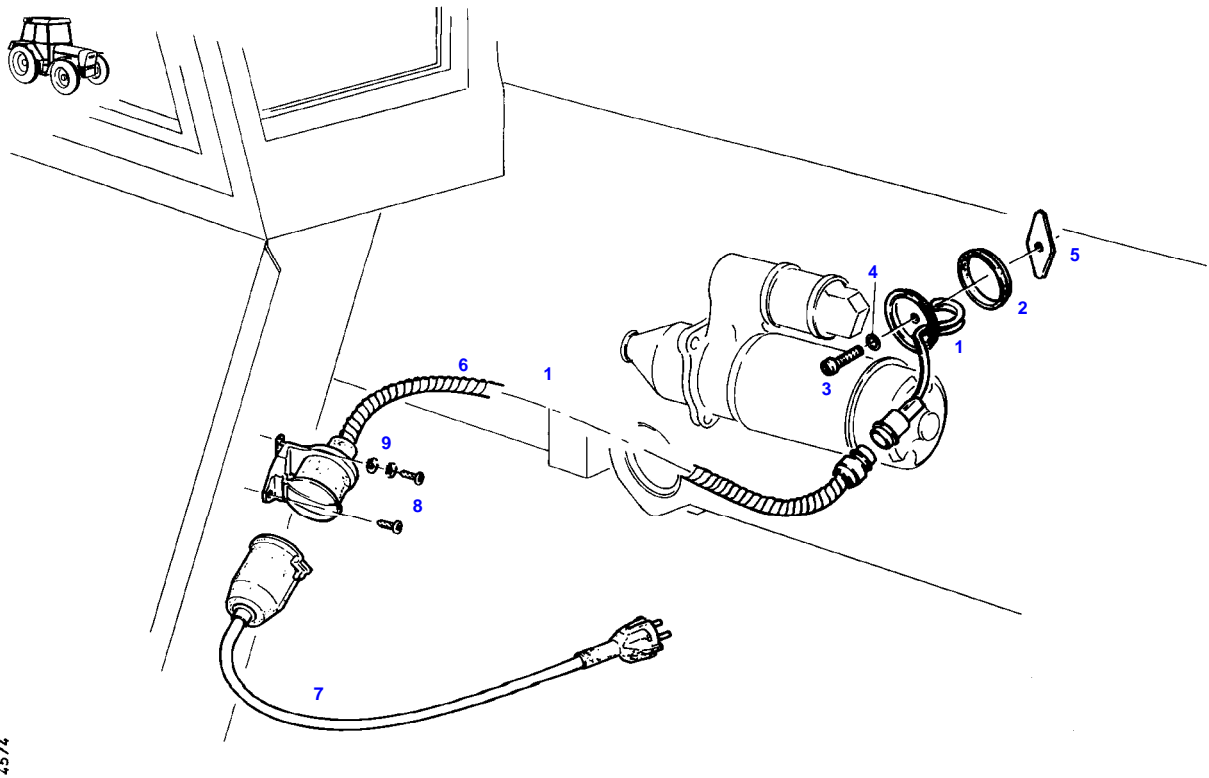
FARMER 304 (158/20001-99999)
7481



7481

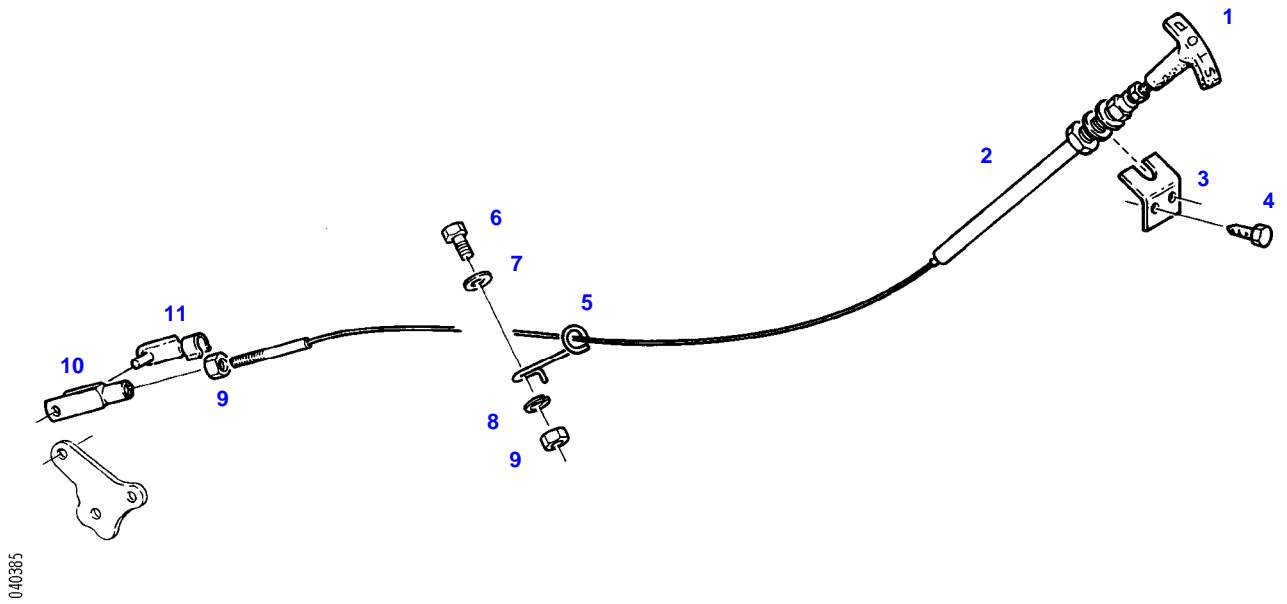
Item	Part Number	Qty	Description Comments	Technical Specification
1	72495170	1	ROD FLAME GLOW PLUG	
4	72377312	1	DOUBLE V-RING	DIN 3862-6-9SMNPB28K+G
5	72378005	1	CONNECTING NUT	DIN 3870 ALL6-9S20K A3L
6	72355540	1	TUBING	
7	72372509	1	THREADED INSERT	M4
8	72373594	1	SOCKET HEAD BOLT	DIN 84 M4X12-4.8-A3L
9	72311242	1	PIPE CLAMP	
10	72315629	2	HEXAGONAL HEAD BOLT	DIN 933 M6 X 12-8.8A3L
11	72315052	3	SPLIT WASHER	FWN 65208-6-A3L
12	72311787	2	DISC	DIN 125-6,4-ST.A3L
	72311817	1	DISC	DIN9021-4,3-140HV-A3L
13	72313266	1	NUT	DIN 934 M6-8A3L
14	72315088	4	SEALING WASHER	DIN 7603 A10X13,5-CU
15	72315806	2	BANJO BOLT	DIN 7643-6-3-A3L
16	72317090	1	VALVE SOLENOID	
17	72356767	1	FUEL LINE	
18	72316916	1	CABLE STRAP	FWN 66650 B175X4-SW
19	72395451	1	ANGLE	
20	72315626	1	HEXAGONAL HEAD BOLT	DIN 933-M6 X 16-8.8-A3L
21	72311822	2	DISC	DIN9021-6,4-140HV-A3L

FARMER 304 (158/20001-99999)
4574



Item	Part Number	Qty	Description Comments	Technical Specification
1	72385222	1	ENGINE PRE-HEATER ><1-9 <-- 0098.071.100	
	72365565	1	HEATER ELEMENT	
2	72332589	1	SEAL	
3	72332590	1	SCREW <>	
	72332592	1	O-RING	
	72315466	1	SOCKET HEAD BOLT <>	DIN 912 M6X30-8.8
	72311787	1	DISC	DIN 125-6,4-ST.A3L
	72376379	1	O-RING	5,3X2,4-FPM 80 FWN56402
	72311787	1	DISC	DIN 125-6,4-ST.A3L
4	72332592	1	O-RING	
	72376379	1	O-RING	5,3X2,4-FPM 80 FWN56402
5	72332591	1	COULTER CLAMP	
6	72310873	1	CABLE <-- H816.200.250.210 1X <>	
	72315615	2	HEXAGONAL HEAD BOLT	DIN 933 M4X16-8.8A3L
	72494152	1	POWER CABLE	
	72424447	1	MOUNTING BRACKET	
7	72317178	1	POWER CABLE	
8	72315786	3	SCREW	DIN 7981 ST4,2X13-C-H-A3L
	72315408	3	FLAT HEAD CAPSCREW	DIN 85 M4X12-4.8A3L
9	72317126	4	SERRATED LOCK WASHER	DIN 6798 A5,3
	72313263	3	NUT	DIN 934 M4-8A3L
	72315050	3	SPLIT WASHER	FWN 65208-4-A3L
	72316916	4	CABLE STRAP NOT ILLUSTRATED	FWN 66650 B175X4-SW
	72317193	1	SECURING CLIP NOT ILLUSTRATED	

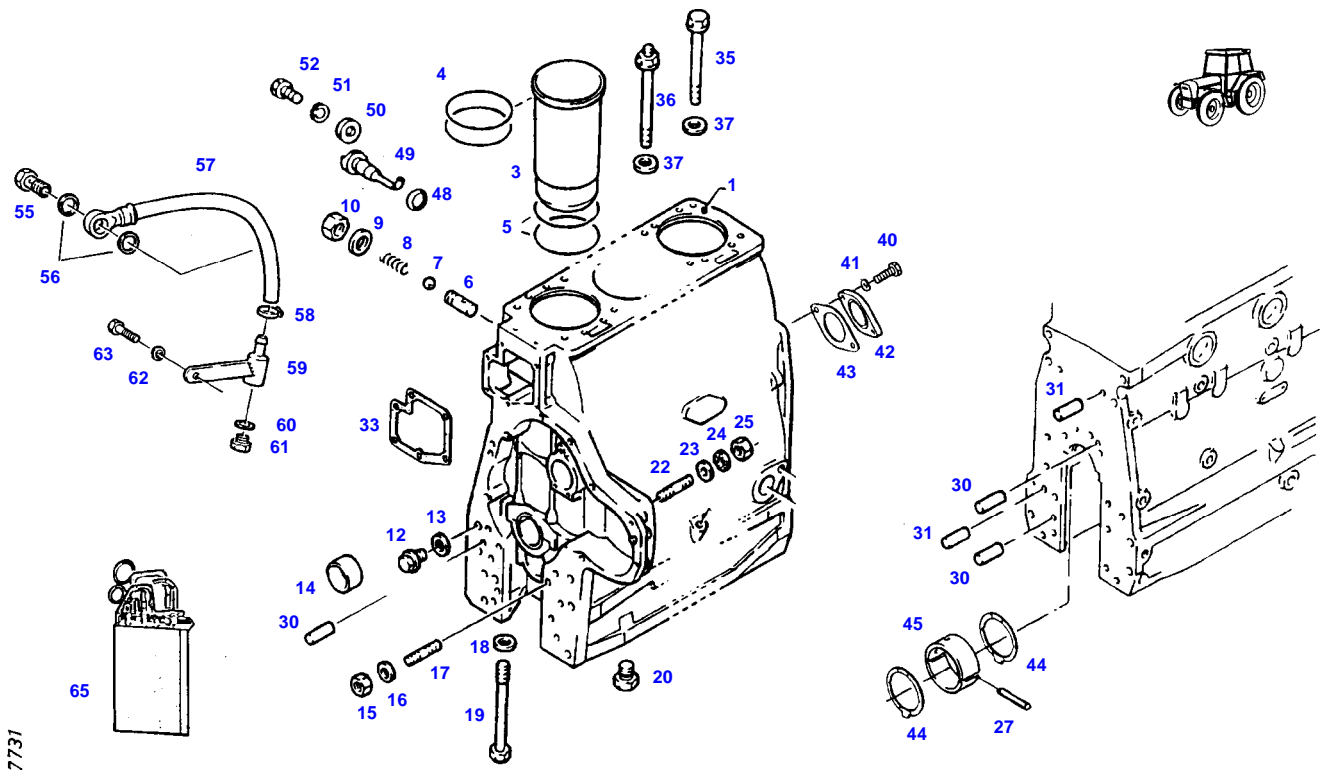
FARMER 304 (158/20001-99999)
40385



040385

Item	Part Number	Qty	Description Comments	Technical Specification
1	72329543	1	HANDLE	
2	72348665	1	STOP CABLE	
			><1	
			<>	
	72313264	1	NUT	DIN 934 M5-8A3L
	72396326	1	THREADED SOCKET	
	72355461	1	CONTROL CABLE	
3	72392845	1	RETAINER	
4	72315820	2	SCREW	DIN7976-ST6,3X13-C-A3L
5	72393651	1	REVERSING BOW	
6	72315626	1	HEXAGONAL HEAD BOLT	DIN 933-M6 X 16-8.8-A3L
7	72311822	1	DISC	DIN9021-6,4-140HV-A3L
8	72315052	1	SPLIT WASHER	FWN 65208-6-A3L
9	72313266	2	NUT	DIN 934 M6-8A3L
10	72311308	1	CLEVIS	DIN 71752 G6X24-A3L
11	72310448	1	BOLT	FWN 64072 6X24 A3L
	72392846	1	SLEEVE	
			FOR ENGLAND	
			NOT ILLUSTRATED	

FARMER 304 (158/20001-99999)
7731



7731

Item	Part Number	Qty	Description Comments	Technical Specification
	72431059	1	DIESEL ENGINE	
1	72329085	1	CRANKCASE ><3-27	
3	72425044	3	CYLINDER LINER	
4	72329541	6	SEAL	
5	72343893	6	SEAL	
6	72341074	1	SCREW PIECE	
7	72378872	1	BALL	DIN 5401-9,0MM
8	72341075	1	COMPRESSION SPRING	
9	72315097	1	SEALING WASHER	DIN 7603 A16X20-CU
10	72341076	1	CAP NUT	
12	72315436	1	SCREW	DIN 908 M10X1-ST A3L
13	72315088	1	SEALING WASHER	DIN 7603 A10X13,5-CU
14	72329540	1	BUSH	
15	72340921	1	MIDGRIP NUT	
16	72340920	1	DISC	
17	72374623	1	STUD BOLT	DIN 939-M8X25-8.8
18	72324592	8	DISC	
19	72327081	8	HEXAGONAL HEAD BOLT	
20	72373972	1	PLUG	DIN 910 M16X1,5-ST
22	72313777	4	STUD BOLT	DIN 939 M10X35-8.8
23	72311789	4	DISC	DIN 125-10,5-ST.A3L
24	72315054	4	SPLIT WASHER	FWN 65208-10-A3L
25	72372811	4	NUT	DIN 934 M10-10A3L
27	72375130	4	TENSIONING PIN	ISO8752-4X8-A-ST-ZNPH
30	72313859	4	CYLINDER PIN	DIN 7-8M6X18-ST50K
31	72375324	2	CYLINDER PIN	DIN 7-10M6X28-ST50K
33	72327043	1	MOLDED SEAL	
35	72333013	10	SOCKET HEAD BOLT	
36	72333014	2	HEXAGONAL HEAD BOLT	
37	72324592	12	DISC	
40	72315650	2	HEXAGONAL HEAD BOLT	DIN 933 M8 X 20-8.8A3L
41	72315053	2	SPLIT WASHER	FWN 65208-8-A3L
42	72343896	1	COVER	
43	72333001	1	SEAL	
44	72343910	2	THRUST RING 70,00 MM	
	72343911	2	THRUST RING 69,79 MM	
	72343912	2	THRUST RING 69,54 MM	
	72343913	2	THRUST RING 69,04 MM	
45	72341078	4	MAIN BEARING 70,00 MM	
	72341079	4	MAIN BEARING 69,79 MM	
	72341080	4	MAIN BEARING 69,54 MM	
	72341081	4	MAIN BEARING 69,29 MM	
	72341082	4	MAIN BEARING 69,04 MM	
48	72376423	3	O-RING	14X3-NBR 70 FWN56402
49	72334018	3	NOZZLE	
50	72334019	3	DISC	
51	72315053	3	SPLIT WASHER	FWN 65208-8-A3L
52	72315642	3	HEXAGONAL HEAD BOLT	DIN 933 M8 X 16-8.8A3L
55	72315808	1	BANJO BOLT	DIN 7643-10-3-A3L
56	72315094	2	SEALING WASHER	DIN 7603 A14X18-CU
57	72313976	1	COOLING WATER DRAIN LINE	
58	72438345	1	HOSE CLIP	
59	72355704	1	HOSE RETAINER	
60	72315088	1	SEALING WASHER	DIN 7603 A10X13,5-CU
61	72315436	1	SCREW	DIN 908 M10X1-ST A3L
62	72315053	1	SPLIT WASHER	FWN 65208-8-A3L

Thank you so much for reading.
Please click the “Buy Now!”
button below to download the
complete manual.



After you pay.

You can download the most
perfect and complete manual in
the world immediately.

Our support email:

ebooklibonline@outlook.com