

CURSOR SERIES

C9

Technical and Repair manual

F2C CURSOR ENGINES

	Section
General specifications	I
Fuel	2
Industrial application	3
Overhaul and technical specifications	4
Tools	5
Safety prescriptions	Appendix

PREFACE TO USER'S GUIDELINE MANUAL

Section 1 describes the F2C engine illustrating its features and working in general.

Section 2 describes the type of fuel feed.

Section 3 relates to the specific duty and is divided in four separate parts:

1. Mechanical part, related to the engine overhaul, limited to those components with different characteristics based on the relating specific duty.
2. Electrical part, concerning wiring harness, electrical and electronic equipment with different characteristics based on the relating specific duty.
3. Maintenance planning and specific overhaul.
4. Troubleshooting part dedicated to the operators who, being entitled to provide technical assistance, shall have simple and direct instructions to identify the cause of the major inconveniences.

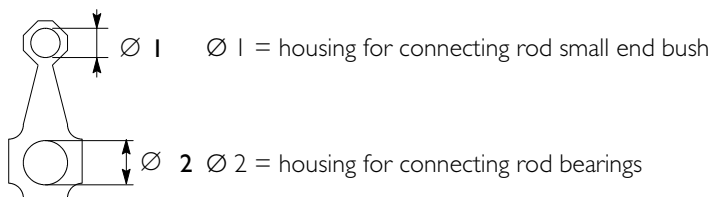
Sections 4 and 5 illustrate the overhaul operations of the engine overhaul on stand and the necessary equipment to execute such operations.

The appendix contains a list of the general safety regulations to be respected by all installation and maintenance engineers in order to prevent serious accidents taking place.

SPECIAL REMARKS

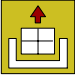
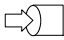
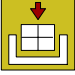

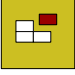

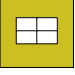







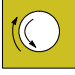

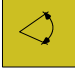
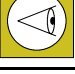






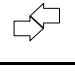
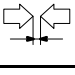



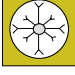

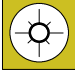
Diagrams and symbols have been widely used to give a clearer and more immediate illustration of the subject being dealt with, (see next page) instead of giving descriptions of some operations or procedures.

Example



Tighten to torque
 Tighten to torque + angular value

Graph and symbols

	Removal Disconnection		Intake
	Refitting Connection		Exhaust
	Removal Disassembly		Operation
	Fitting in place Assembly	ϱ	Compression ratio
	Tighten to torque		Tolerance Weight difference
	Tighten to torque + angle value		Rolling torque
	Press or caulk		Replacement Original spare parts
	Regulation Adjustment		Rotation
	Warning Note		Angle Angular value
	Visual inspection Fitting position check		Preload
	Measurement Value to find Check		Number of revolutions
	Equipment		Temperature
	Surface for machining Machine finish		Pressure
	Interference Strained assembly	$>$	Oversized Higher than.... Maximum, peak
	Thickness Clearance	$<$	Undersized Less than.... Minimum
	Lubrication Damp Grease		Selection Classes Oversizing
	Sealant Adhesive		Temperature < 0 °C Cold Winter
	Air bleeding		Temperature > 0 °C Hot Summer

UPDATING

Section	Description	Page	Date of revision

SECTION I

General Specifications

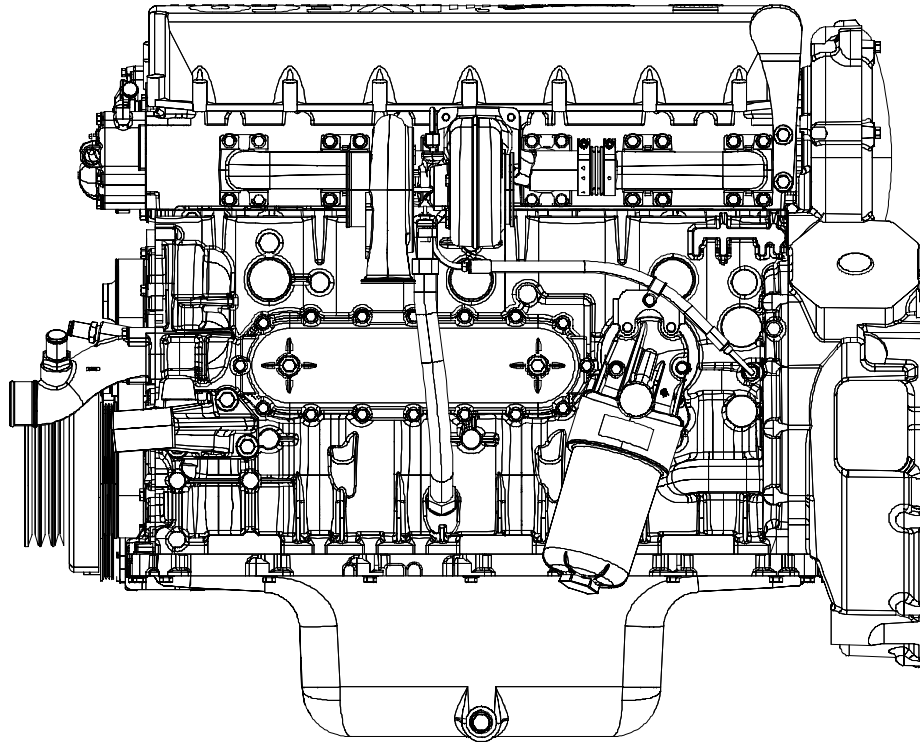
	Page
TECHNICAL CODE	3
VIEWS OF THE ENGINE (for types: F2CE9684A*E004 - F2CE9684B*E001 - F2CE9684C*E001 - F2CE9684D*E001 - F2CE9684C*E002 - F2CE9684E*E002)	5
VIEWS OF THE ENGINE (for types: F2CE9684L*E005)	8
LUBRICATION DIAGRAM	11
<input type="checkbox"/> Oil pump	12
<input type="checkbox"/> Overpressure valve	12
<input type="checkbox"/> Oil pressure control valve	13
<input type="checkbox"/> Heat exchanger	13
ENGINE OIL FILTER	14
<input type="checkbox"/> Characteristics	14
<input type="checkbox"/> Lock torques	14
<input type="checkbox"/> Installation rule	14
<input type="checkbox"/> Filter by-pass valve	14
<input type="checkbox"/> Oil fume recycle (Blow-by)	15
COOLING	16
<input type="checkbox"/> Description	16
<input type="checkbox"/> Operation	16
<input type="checkbox"/> Water pump	18
<input type="checkbox"/> Thermostat	18
TURBOCHARGING	19
EGR EXHAUST GAS RECYCLE SYSTEM	20
INTERNAL EGR OPERATING ON SUCTION VALVES	20

TECHNICAL CODE

Technical Code
F2CE9684A*E004
F2CE9684B*E001
F2CE9684C*E001
F2CE9684D*E001
F2CE9684C*E002
F2CE9684E*E002
F2CE9684H*E003
F2CE9684L*E005

VIEWS OF THE ENGINE (for types: F2CE9684A*E004 - F2CE9684B*E001 - F2CE9684C*E001 - F2CE9684D*E001 - F2CE9684C*E002 - F2CE9684E*E002)

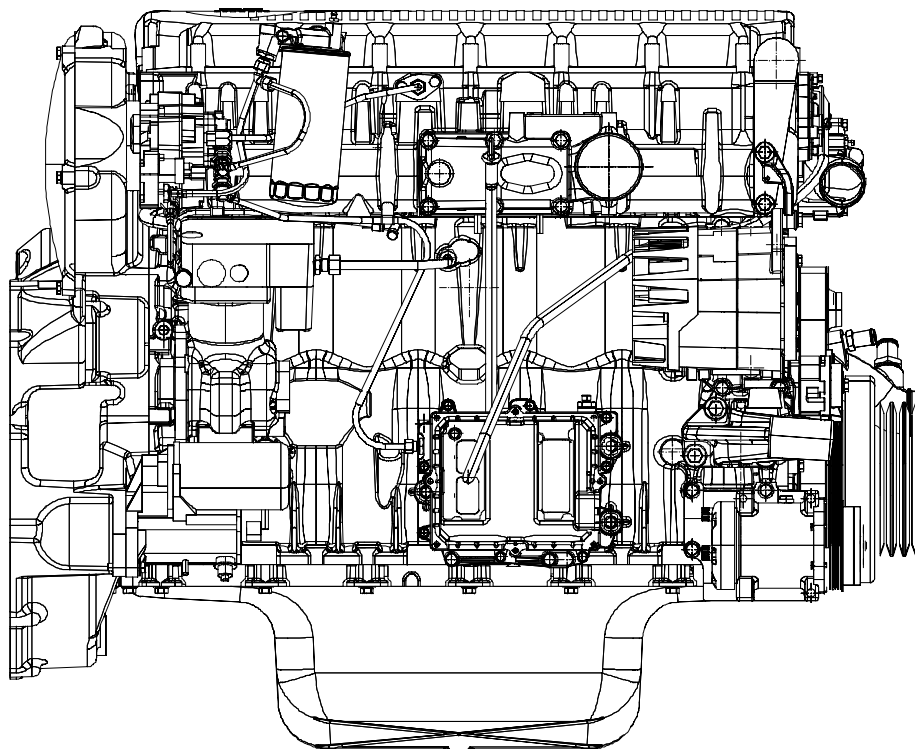
Figure 1



113047

LEFT-HAND SIDE VIEW

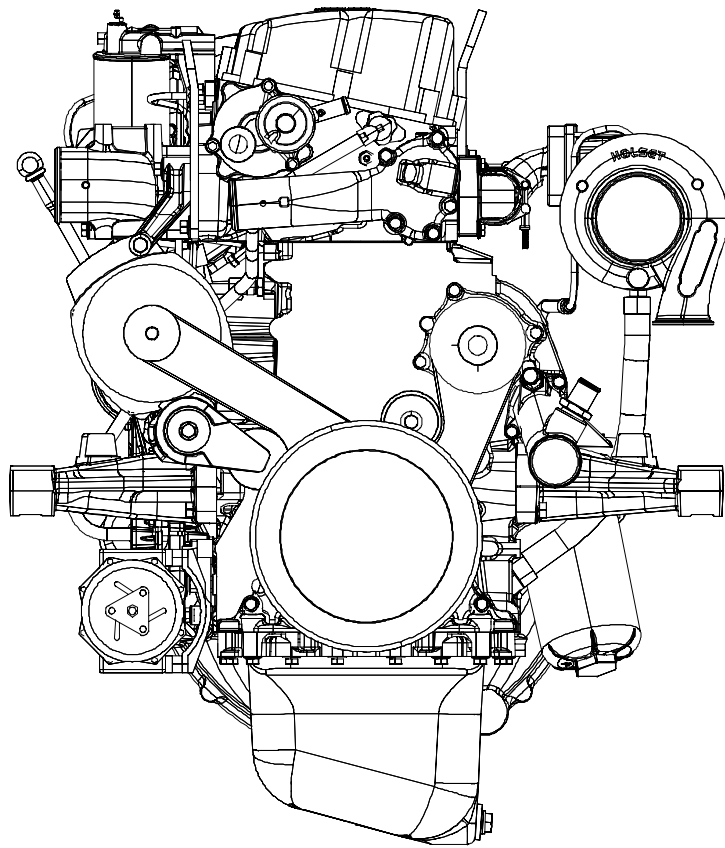
Figure 2



113048

RIGHT-HAND SIDE VIEW

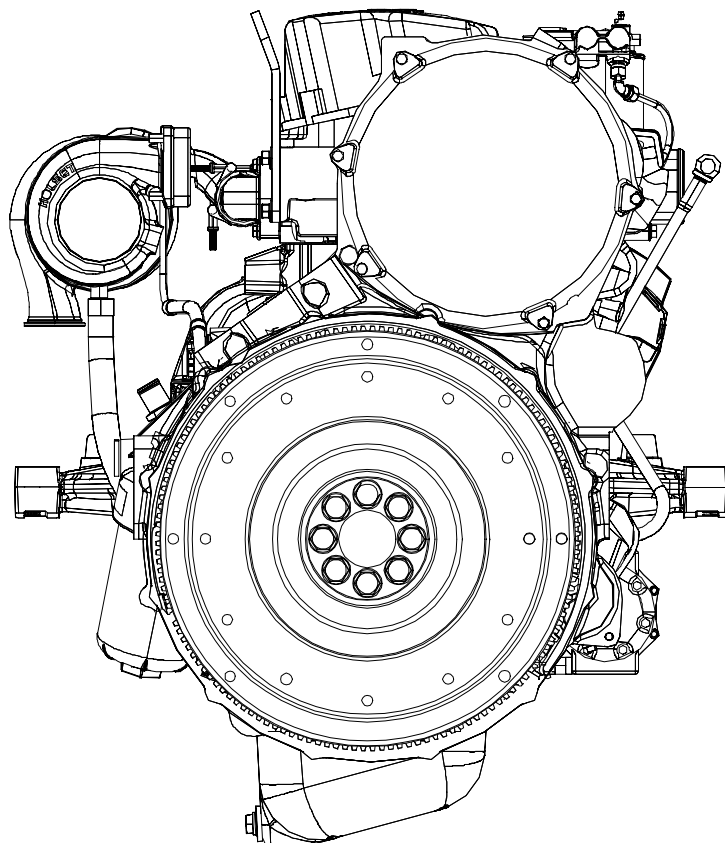
Figure 3



113049

FRONT HAND SIDE VIEW

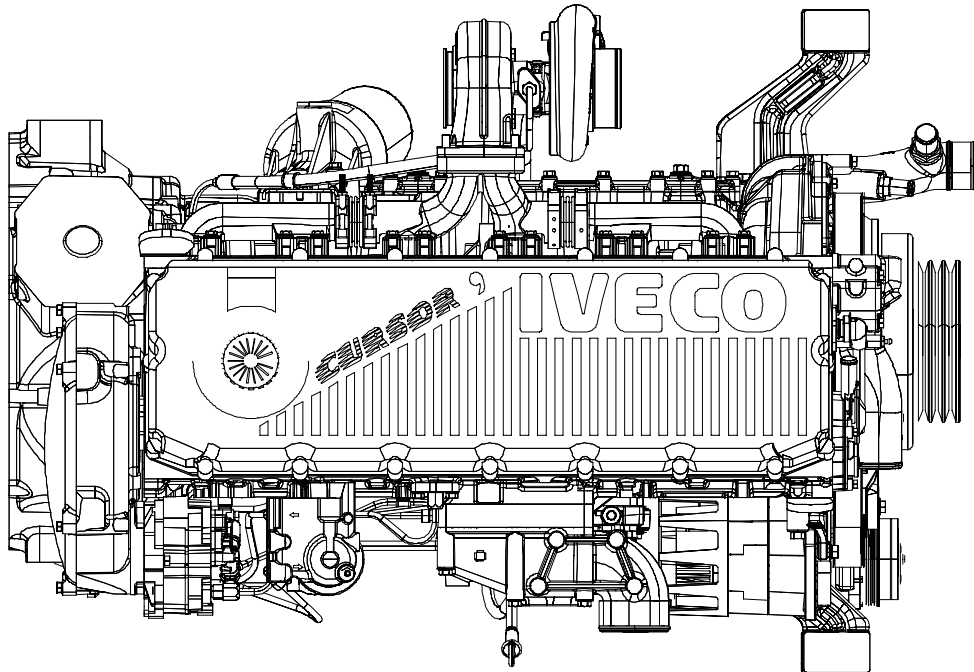
Figure 4



113050

REAR HAND SIDE VIEW

Figure 5

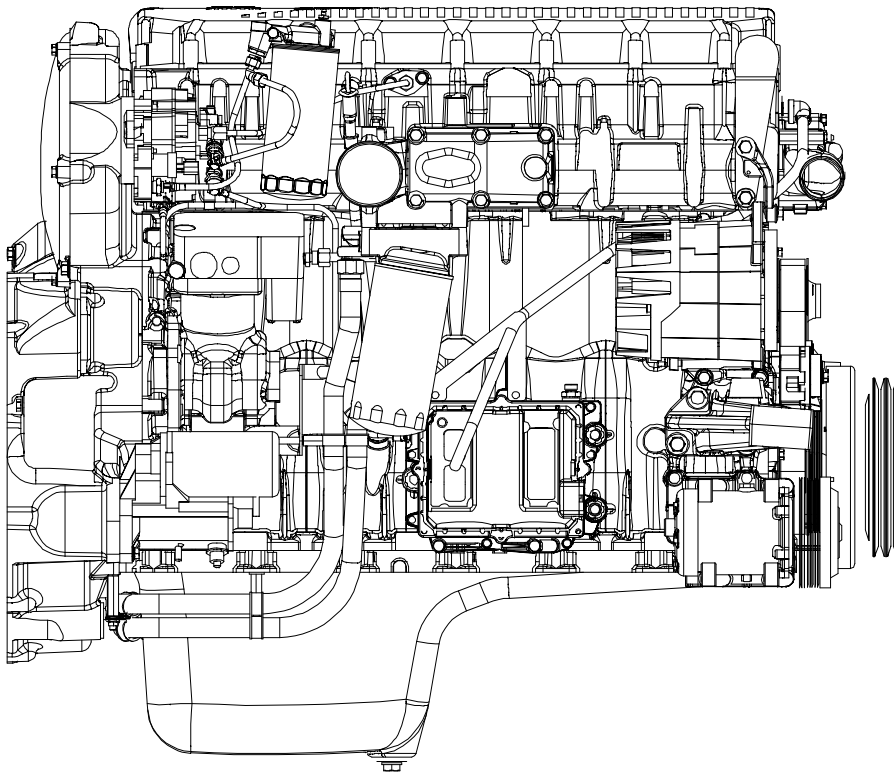


TOP VIEW

113051

VIEWS OF THE ENGINE (for types: F2CE9684L*E005)

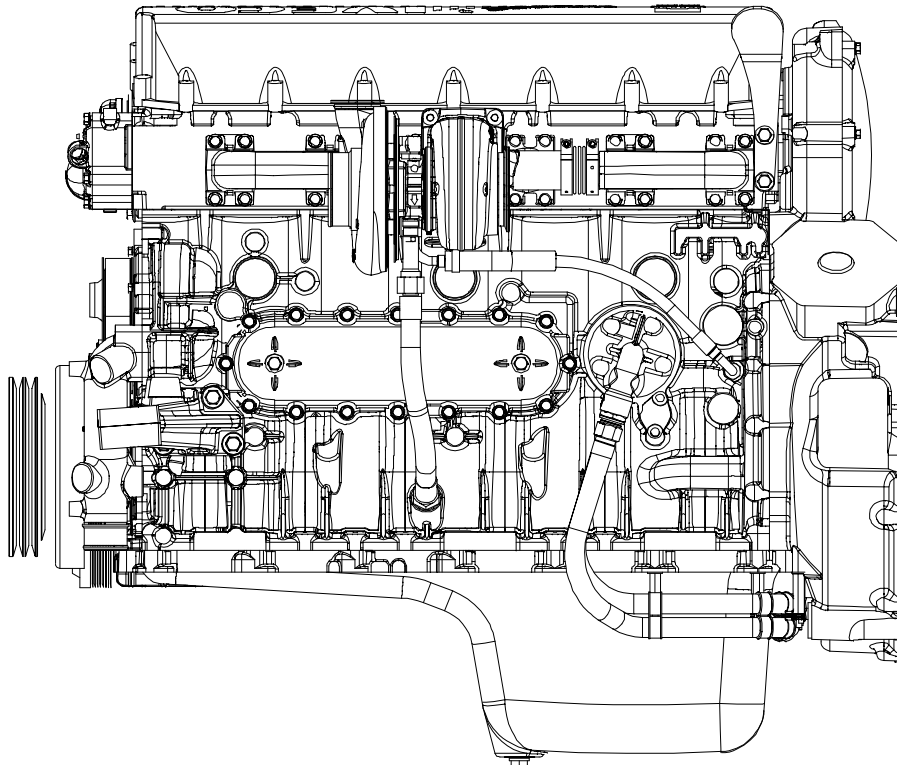
Figure 6



114203

RIGHT-HAND SIDE VIEW

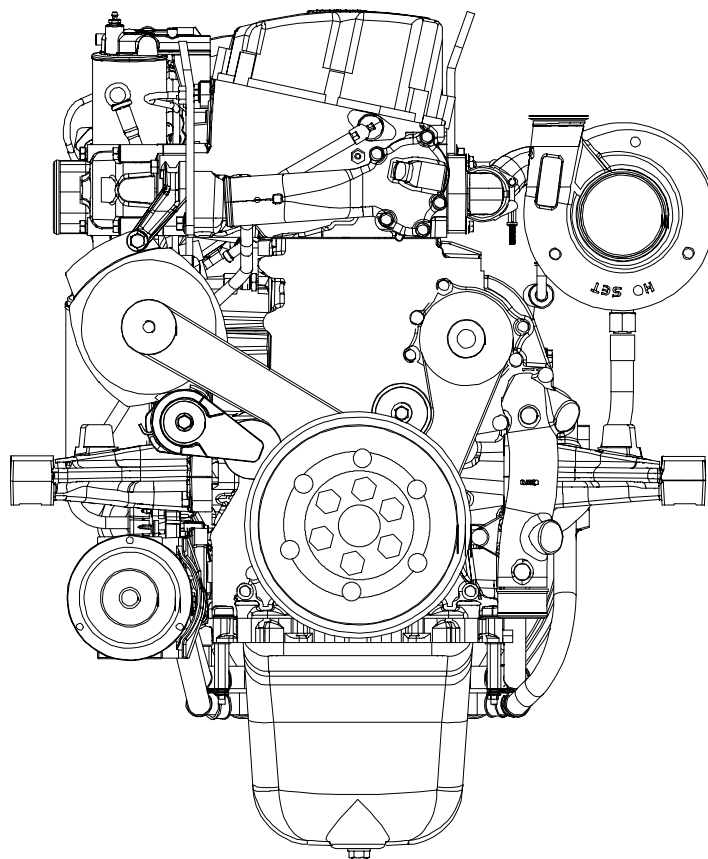
Figure 7



114204

LEFT-HAND SIDE VIEW

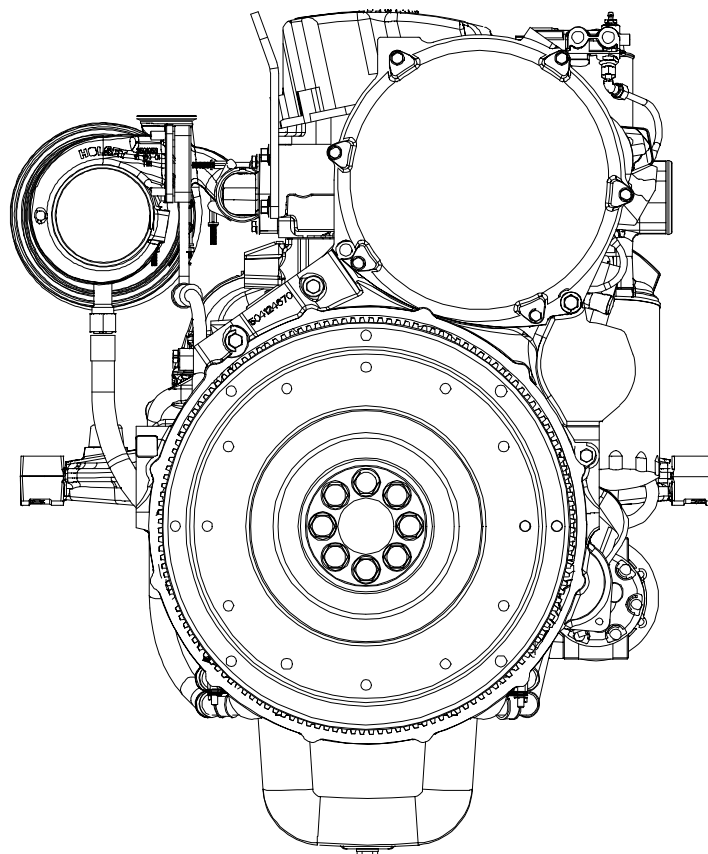
Figure 8



114205

FRONT-HAND SIDE VIEW

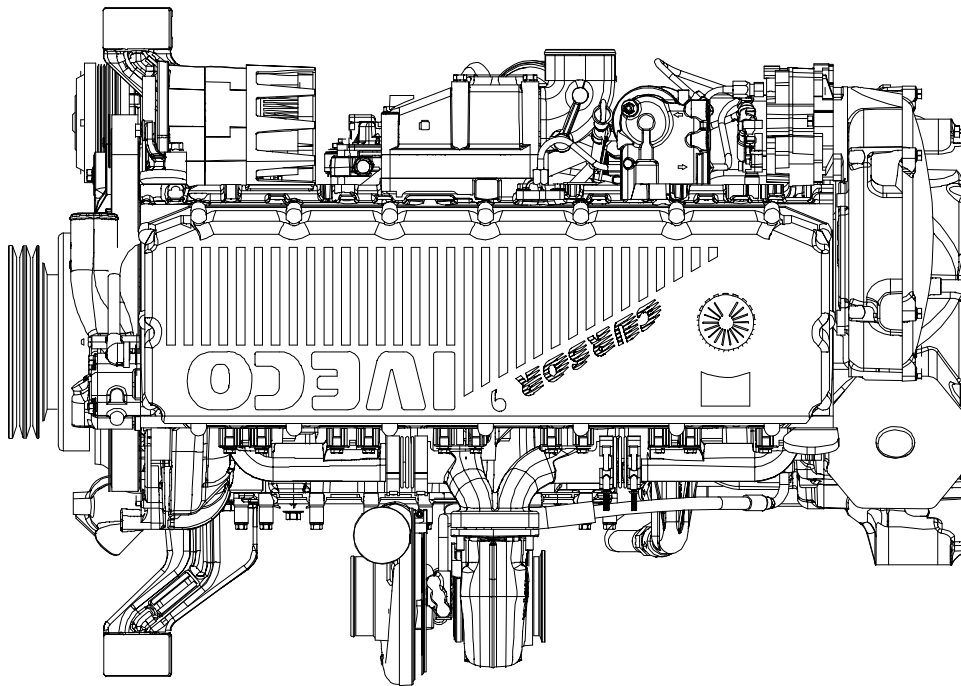
Figure 9



104206

REAR-HAND SIDE VIEW

Figure 10

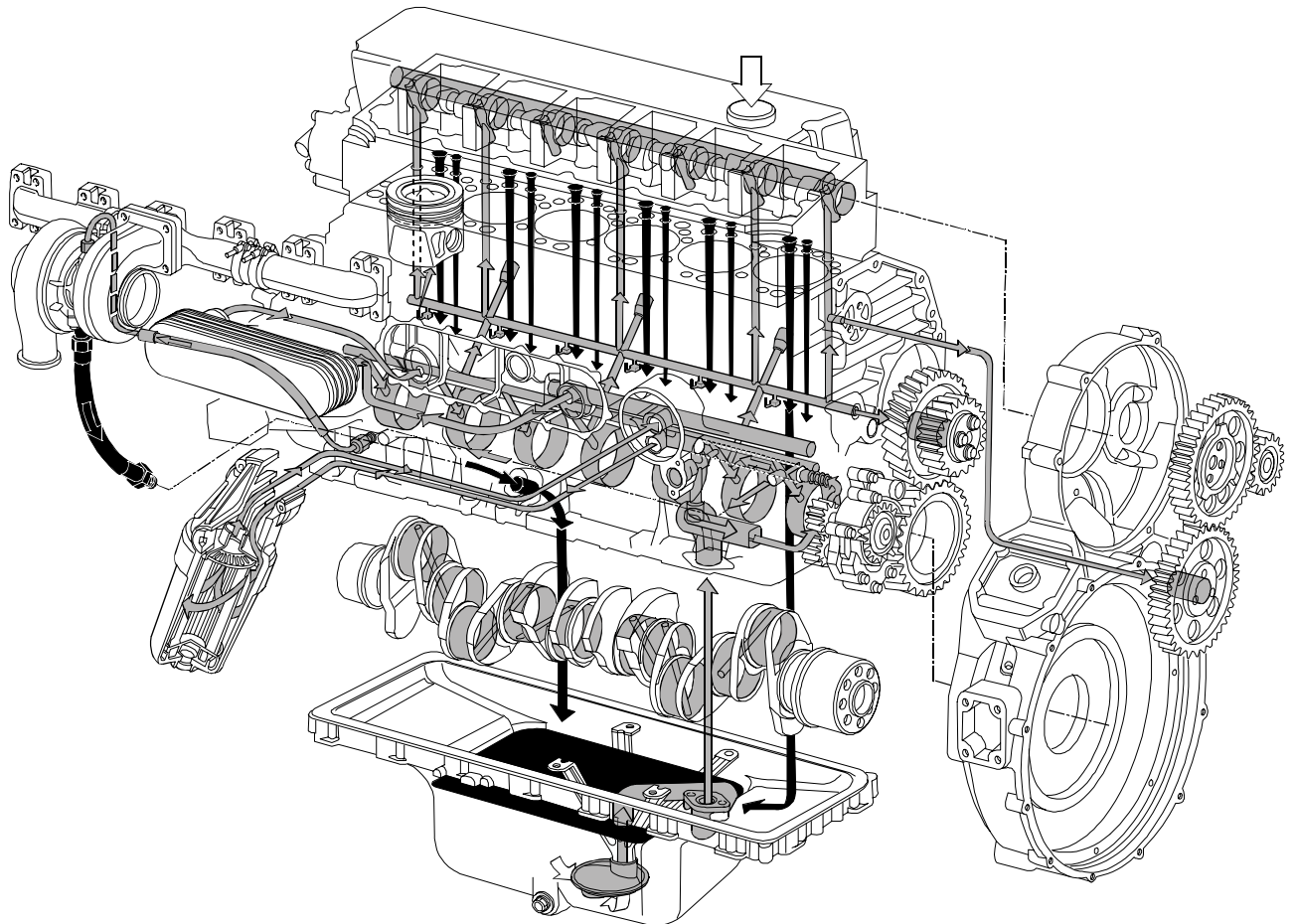




114207

TOP SIDE VIEW

LUBRICATION DIAGRAM

Figure 11

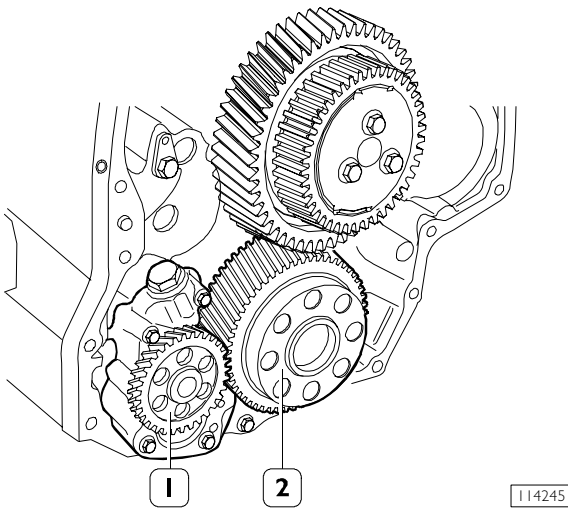


-  Dropping oil
-  Pressure oil

114244

Oil pump

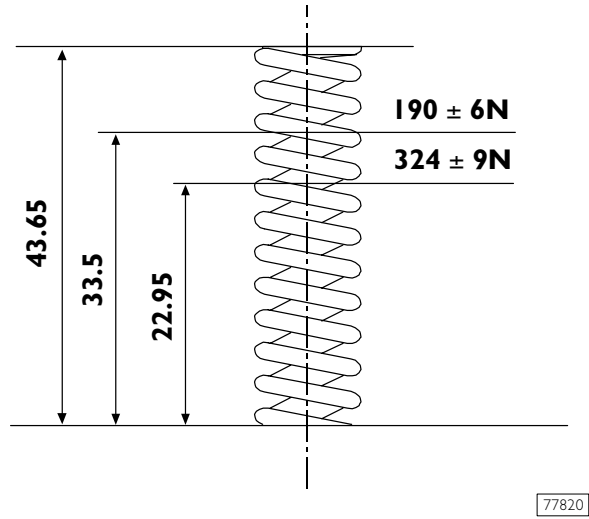
Figure 12



The oil pump (1) cannot be overhauled. On finding any damage, replace the oil pump assembly.
See under the relevant heading for replacing the gear (2) of the crankshaft.

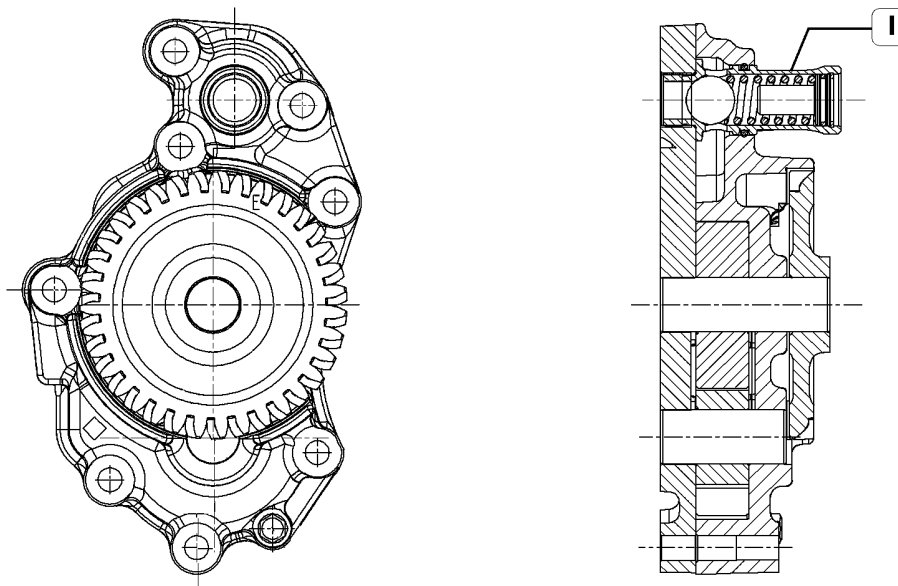
Overpressure valve

Figure 14



MAIN DATA TO CHECK THE OVERPRESSURE VALVE SPRING

Figure 13

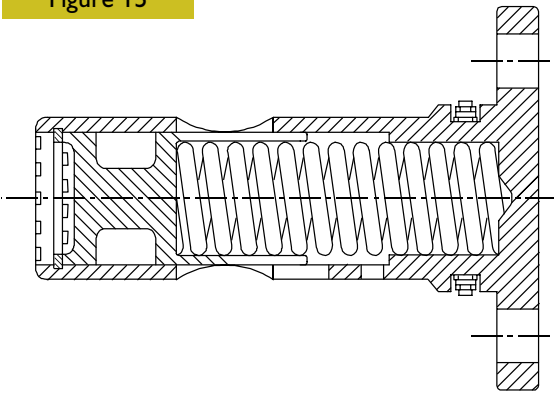


112327

OIL PUMP CROSS-SECTION
I. Overpressure valve – Start of opening pressure 10.1 ± 0.7 bars.

Oil pressure control valve

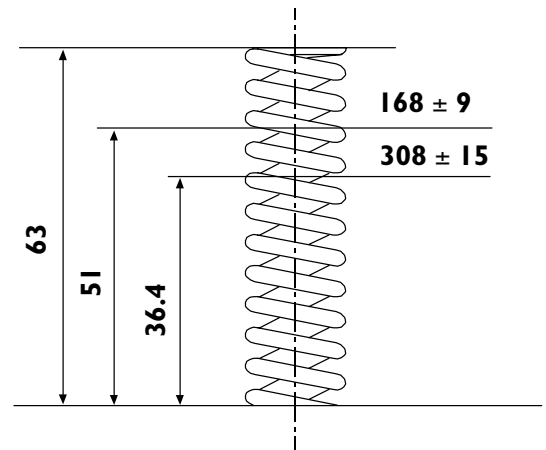
Figure 15



73542

The oil pressure control valve is located on the left-hand side of the crankcase.
Start of opening pressure 5 bars.

Figure 16

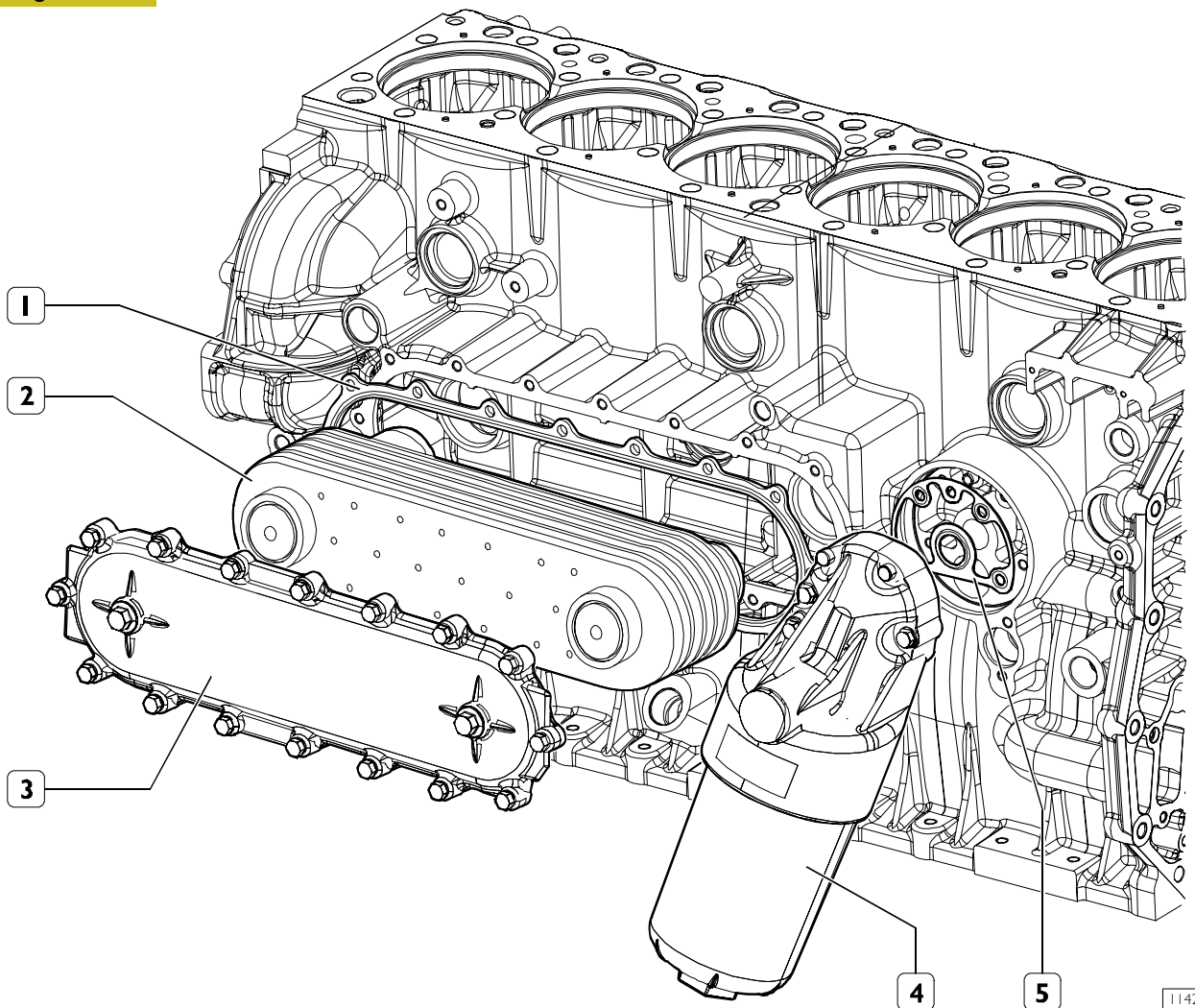


88819

MAIN DATA TO CHECK THE OIL PRESSURE CONTROL VALVE SPRING

Heat exchanger

Figure 17



114246

1. Exchanger seal - 2. Internal heat exchanger element - 3. Cover - 4. Oil filter - 5. Oil filter seal

Thank you so much for reading.
Please click the “Buy Now!”
button below to download the
complete manual.



After you pay.

You can download the most
perfect and complete manual in
the world immediately.

Our support email:

ebooklibonline@outlook.com