

FORD

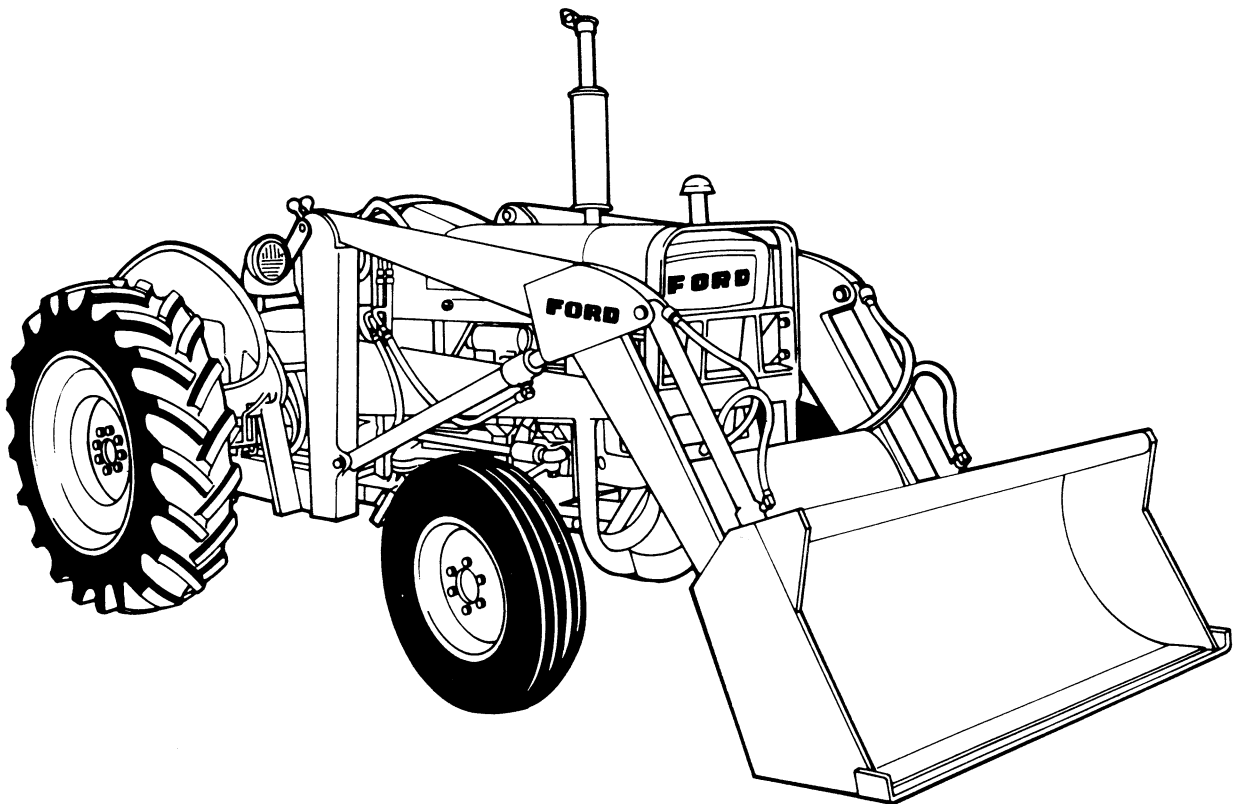
Service Manual



NEW HOLLAND

Loader Series 727, 730, 735, and 740

40072740



Reprinted

FOREWORD

THIS MANUAL CONTAINS SERVICE INFORMATION FOR THE FORD SERIES 727, 730, 735, AND 740 LOADERS. DETAILED INFORMATION IS PROVIDED ON DESCRIPTION AND OPERATION, TROUBLE SHOOTING, TESTS AND ADJUSTMENTS, COMPONENT OVERHAUL, LUBRICATION, AND SPECIFICATIONS. CONVERSION EQUIVALENTS OF THE SPECIFICATIONS USED IN THE TEXT ARE LISTED ON PAGES 114 AND 115.

INSTRUCTIONS FOR INSTALLING THE LOADERS, LOADER COMPONENTS, OR ATTACHING KITS ARE NOT COVERED IN THIS MANUAL. REFER TO THE APPROPRIATE OPERATOR'S AND ASSEMBLY MANUALS FOR DETAILED INFORMATION.

THE LOADERS ARE SIMILAR IN CONSTRUCTION AND OPERATION. HOWEVER, THERE ARE VARIANCES IN DIMENSIONS AND OTHER SPECIFICATIONS. PARTICULAR ATTENTION SHOULD BE GIVEN TO CORRECT LOADER SERIES IDENTIFICATION WHEN ORDERING PARTS OR WHEN SERVICING THE UNIT.

KEEP THIS MANUAL, ALONG WITH YOUR OTHER SERVICE LITERATURE, AVAILABLE FOR READY REFERENCE.

SERVICE DEPARTMENT
FORD TRACTOR DIVISION
FORD MOTOR COMPANY

CONTENTS

	<i>Page</i>
DESCRIPTION AND OPERATION	5
Series 727 Loader	5
Series 730 and 735 Loader	5
Series 740 Loader	6
PUMPS	7
Series 727 Loader	7
Series 730, 735, and 740 Loaders	7
Vane Pump	7
Oil Flow	8
Pump Identification	10
Gear Pump	11
CONTROL VALVE	12
General Information	12
Series 727 Loader	12
Unit-Type Control Valve (Series 730 and 735 Loaders)	12
General Oil Flow	15
Lift Spool – Raising	16
Lift Spool – Lowering	17
Bucket Spools – Raising and Lowering	17
Anti-Cavitation (Anti-Voiding) Valve Operation	17
Float Operation	18
System Relief Valve Operation	19
Cylinder Check Valve Operation	20
Flow Restrictor Valve Operation (Series 730 Loaders)	20
Two-Section Stacked-Type Control Valve	20
General Oil Flows	22
Cylinder Check Valve Operation	22
Lift Spool – Raising	22
Lift Spool – Lowering	23
Bucket Spool – Raising and Lowering	23
Float Operation	23
Anti-Cavitation (Anti-Voiding) Valve Operation	25
System Relief Valve Operation	25
Three-Section Stacked-Type Control Valve	26
Control Valve Components	27
General Oil Flow	32
Lift Section – Raising	32
Lift Section – Lowering	33
Lift Section – Float	34
Bucket Section – Rollback Position	35
Bucket Section – Dump Position	35
Compensating Section – Lowering Position	36
Compensating Section – Raising Position	37
Relief Valves Operation	38
Compensating Section – Float Position	38
Selector Valve	39
CYLINDERS	39
Single-Acting Cylinders	41
Double-Acting Cylinders	41
Cylinder Circuit Flow	41

CONTENTS

	<i>Page</i>
GENERAL OIL FLOWS	41
Series 727 Loader	41
Series 730 and 735 Loaders	41
Series 740 Loaders	43
Self-Leveling Loaders	44
Lowering	44
Lifting and Compensating	44
TROUBLE SHOOTING	45
Trouble Shooting Table I – Non-Self-Leveling Loaders	46
Trouble Shooting Table II – Self-Leveling Loaders	50
MECHANICAL ADJUSTMENTS AND PRESSURE CHECKS	59
Bucket Level Indicator Adjustment	59
System Relief Valve Pressure Setting	59
Ford 4500 Tractor Hydraulic Package Cover Modification for Hydra-Sleuth Test Installation	61
Hydraulic Tests	61
Hydraulic Pump Performance Test	63
Circuit Performance and Accumulated Leakage Tee Test	65
Cylinder Packing Leakage Test	67
Pump Suction Leakage Test	67
COMPONENT OVERHAUL	67
General Information	67
Hydraulic Oil Filter and Breather Cap	68
Hydraulic Pump	68
Vane Pump	68
Gear Pump	74
Unit-Type Control Valve	77
Stacked-Type Control Valve	82
Three-Section Valve External Check Valve	93
Selector Valve	94
Loader Frame and Cylinder Bushings	95
Cylinders	96
LUBRICATION AND MAINTENANCE	101
Oil Filter	101
Series 727 Loaders	101
Series 730 and 735 Loaders	101
Series 740 Loaders	102
Hydraulic Oil	105
Service Schedule	105
SPECIFICATIONS	107
Hydraulic System	107
Pump	107
Control Valve	108
Lift Cylinders	109
Bucket Cylinders	109
Loader Dimensions	110
Loader Lift Capacity	110
Special Tools	111
Conversions for Specifications in Text	114

Thank you so much for reading.
Please click the “Buy Now!”
button below to download the
complete manual.



After you pay.

You can download the most
perfect and complete manual in
the world immediately.

Our support email:

ebooklibonline@outlook.com