

PART No. EM18B-1-1

Operator's Manual

EX5500-5

Hydraulic Excavator

Serial 000501 and up

HITACHI

INDEX

MACHINE NUMBERS

SAFETY

SAFETY SIGNS

COMPONENTS NAME

HANDLING LADDER/EMERGENCY ROPE

OPERATOR'S STATION

BREAK-IN

OPERATING THE ENGINE

DRIVING THE MACHINE

OPERATING THE MACHINE

MAINTENANCE

MAINTENANCE UNDER SPECIAL ENVIRONMENTAL CONDITION

STORAGE

TROUBLESHOOTING

SPECIFICATIONS

INDEX

CONTENTS

MACHINE NUMBERS

SAFETY

| | |
|--|------|
| Recognize Safety Information | S-1 |
| Understand Signal Words | S-1 |
| Follow Safety Instructions | S-2 |
| Prepare for Emergencies | S-2 |
| Wear Protective Clothing | S-3 |
| Protect Against Noise | S-3 |
| Inspect Machine | S-3 |
| Use Handholds and Steps | S-4 |
| Adjust the Operator's Seat | S-4 |
| Fasten Your Seat Belt | S-5 |
| Move and Operate Machine Safely | S-5 |
| Handle Starting Aide Safety | S-5 |
| Operate only from Operator's Seat | S-6 |
| Jump Starting | S-6 |
| Keep Riders Off Machine | S-6 |
| Investigate Job Site Beforehand | S-7 |
| Protect Against Falling Stones and Debris | S-7 |
| Provide Signals for Jobs Involving Multiple Numbers of Machines | S-8 |
| Confirm Direction of Machine to be Driven | S-8 |
| Drive Machine Safely | S-9 |
| Avoid Injury from Rollaway Accidents | S-10 |
| Avoid Injury from Back-Over and Swing Accidents | S-11 |
| Keep Person Clear from Working Area | S-12 |
| Never Position Bucket Over Anyone | S-12 |
| Avoid Undercutting | S-12 |
| Avoid Tipping | S-13 |
| Never Undercut a High Bank | S-13 |
| Dig with Caution | S-14 |
| Operate with Caution | S-14 |
| Avoid Power Lines | S-14 |
| Object Handling | S-15 |
| Protect Against Flying Debris | S-15 |
| Park Machine Safely | S-16 |
| Handle Fluids Safely-Avoid Fires | S-16 |
| Practice Safe Maintenance | S-17 |
| Warn Others of Service Work | S-18 |
| Support Machine Properly | S-18 |
| Stay Clear of Moving Parts | S-18 |
| Prevent Parts from Flying | S-19 |
| Store Attachments Safely | S-19 |
| Prevent Burns | S-20 |
| Replace Rubber Hoses Periodically | S-20 |
| Avoid High-Pressure Fluids | S-21 |
| Prevent Fires | S-22 |
| Evacuating in Case of Fire | S-23 |
| Beware of Exhaust Fumes | S-23 |
| Avoid Heating Near Pressurized Fluid Lines | S-24 |

Avoid Applying Heat to Lines

| | |
|---|------|
| Containing Flammable Fluids | S-24 |
| Remove Paint before Welding or Heating | S-24 |
| Prevent Battery Explosions | S-25 |
| Service Air Conditioning System Safely | S-25 |
| Handle Chemical Products Safely | S-26 |
| Dispose of Waste Properly | S-26 |

SAFETY SIGNS.....S-27

COMPONENTS NAME..... 1-1

HANDLING

| | |
|--|------------|
| LADDER/EMERGENCY ROPE | 1-2 |
| Using Ladder | 1-2 |
| Operating Ladder on the Ground | 1-3 |
| Operating Ladder on the Upperstructure | 1-3 |
| Emergency Escape | 1-4 |
| Emergency Exit | 1-5 |
| Evacuating in Case of Fire | 1-6 |

OPERATOR'S STATION

| | |
|---|------|
| Cab Features | 1-8 |
| Monitor Panel and Switch Panels (Left) | 1-9 |
| Monitor Panel | 1-10 |
| Coolant Temperature Gauge | 1-11 |
| Hydraulic Oil Temperature Gauge | 1-11 |
| Tachometer | 1-11 |
| Fuel Gauge | 1-11 |
| Alternator Indicator | 1-12 |
| Pump Transmission Oil Pressure Indicator | 1-12 |
| Hydraulic Oil Level Indicator (Warning) | 1-12 |
| Fuel Level Indicator | 1-12 |
| Auto-Lubrication Indicator | 1-13 |
| Engine Stop Indicator | 1-13 |
| Engine Warning Indicator | 1-13 |
| Engine Oil Level Indicator | 1-14 |
| Coolant Level Indicator | 1-14 |
| Download Indicator | 1-14 |
| Hydraulic Oil Level Indicator | 1-15 |
| Travel Mode Indicator (Slow Speed) | 1-15 |
| Travel Mode Indicator (Fast Speed) | 1-15 |
| Auto-Idle Indicator | 1-16 |
| Prelub Indicator | 1-16 |
| Engine Oil Pressure Indicator (Warning) | 1-16 |
| Overheat Indicator (Warning) | 1-16 |
| Coolant Level Indicator (Warning) | 1-17 |
| Fast Filling System Indicator | 1-17 |
| Pump Contamination Indicator | 1-17 |
| Air Cleaner Restriction Indicator | 1-17 |
| Stop Valve Indicator (Warning) | 1-18 |
| Emergency Engine Stop Indicator | 1-18 |
| Ladder Position Indicator | 1-18 |
| Switch Panel | 1-19 |
| Wiper Switch | 1-20 |

CONTENTS

| | | | |
|--|------|---|------|
| Wiper Delay Selector Switch | 1-20 | Steering the Machine Using Levers | 4-3 |
| Washer Switch | 1-20 | Travel Speed Switch | 4-4 |
| Air Conditioners | 1-21 | Travel Alarm | 4-5 |
| Cooling | 1-23 | Traveling | 4-6 |
| Heating | 1-23 | Operating on Soft Ground | 4-7 |
| Dehumidifying and Heating | 1-23 | Raise One Track Using Boom and Arm | 4-7 |
| Defrosting | 1-24 | Towing Machine a Short Distance | 4-8 |
| Blower Operation without Cooling or Heating | 1-24 | Operating in Water or Mud | 4-9 |
| Ventilating the Cab | 1-24 | Precautions For Traveling on Slopes | 4-10 |
| Indicator Light Check Switch | 1-25 | Parking the Machine on Slopes | 4-11 |
| Level Check Switch | 1-25 | Parking the Machine | 4-11 |
| Buzzer Stop Switch | 1-26 | | |
| Download | 1-27 | OPERATING THE MACHINE | |
| Dimmer Switch | 1-28 | Control Lever (HITACHI Pattern Backhoe) | 5-1 |
| Engine Speed Control Lever | 1-28 | Control Lever (ISO Pattern Backhoe) | 5-2 |
| Work Light Switch | 1-29 | Control Lever (HITACHI Pattern Loading Shovel) | 5-3 |
| Dome Light Switch | 1-30 | Control Lever (ISO Pattern Loading Shovel) | 5-4 |
| Engine Room Light Switch | 1-31 | Bucket Open-Close Pedals (Loading Shovel) | 5-5 |
| Entrance Light Switch | 1-32 | Pilot Control Shut-Off Lever | 5-6 |
| Travel Speed Switch | 1-33 | Auto-Idle | 5-9 |
| Auto-Idle Switch | 1-33 | Warming-up Operation | 5-9 |
| Fast-Filling System | 1-34 | Engine Speed Control | 5-10 |
| Switch Panel (Right) | 1-35 | Precautions for Operations | 5-11 |
| Emergency Engine Stop Switch | 1-35 | Operate the Machine Safely | 5-12 |
| Key Switch | 1-35 | Operating Backhoe | 5-13 |
| Hour Meter | 1-36 | Grading Operation | 5-13 |
| Horn Switch | 1-37 | Avoid Abusive Operation | 5-14 |
| Engine troubleshooting Switch | 1-38 | Operating Tips | 5-15 |
| FM/AM Radio Operation | 1-39 | Avoid Swinging Bucket To Move Objects | 5-15 |
| Digital Clock Setting Procedure | 1-40 | Loading Shovel Operation | 5-16 |
| Operator' s Seat Adjustment | 1-41 | Prohibited Operation | 5-16 |
| Seat Belt | 1-43 | Object Handling | 5-19 |
| Cab Door Release Button | 1-44 | Overnight Storage Instructions | 5-20 |
| Opening Cab Left Window | 1-44 | | |
| | | MAINTENANCE | |
| BREAK-IN | | Correct Maintenance and Inspection Procedures | 7-1 |
| Observe Machine Closely | 2-1 | Check the Hour Meter Regularly | 7-2 |
| Every 10 Hours or Each Shift | 2-1 | Use Correct Fuels and Lubricants | 7-2 |
| After the First 50 Hours | 2-2 | Prepare Machine for Maintenance | 7-3 |
| | | Access Covers | 7-4 |
| OPERATING THE ENGINE | | Inspection/Maintenance Lights | 7-5 |
| Inspect Machine Daily Before Starting | 3-1 | Use a Chain to Prevent Falling Accidents | 7-7 |
| Before Starting Engine | 3-2 | Electric Pump | 7-8 |
| Level Check | 3-3 | Construction Outline | 7-10 |
| Starting the Engine | 3-4 | Hydraulic System | 7-11 |
| Starting in Cold Weather | 3-5 | Loading Shovel | 7-12 |
| Check Instruments after Starting | 3-6 | Backhoe | 7-14 |
| Using Booster Batteries | 3-7 | Periodic Replacement of Parts | 7-16 |
| Stopping the Engine | 3-9 | Maintenance Interval Guide | 7-24 |
| Emergency Engine Stop Switch | 3-10 | A. Greasing | 7-28 |
| Engine Stop Switch | 3-11 | Loading Shovel Front Joint Pins | 7-29 |
| | | Backhoe Front Joint Pins | 7-32 |
| DRIVING THE MACHINE | | | |
| Drive the Machine Carefully | 4-1 | | |
| Steering the Machine Using Pedals | 4-2 | | |

CONTENTS

MEMO

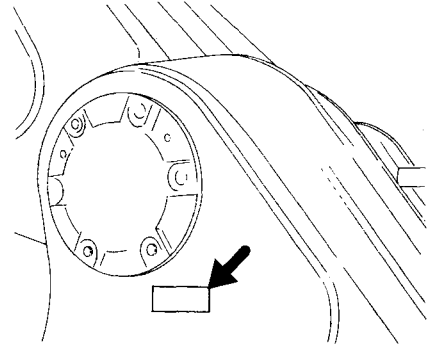
A series of horizontal dotted lines for writing a memo.

MACHINE NUMBERS

MACHINE TYPE AND SERIAL NUMBER

TYPE: _____


MFG. NO.: _____



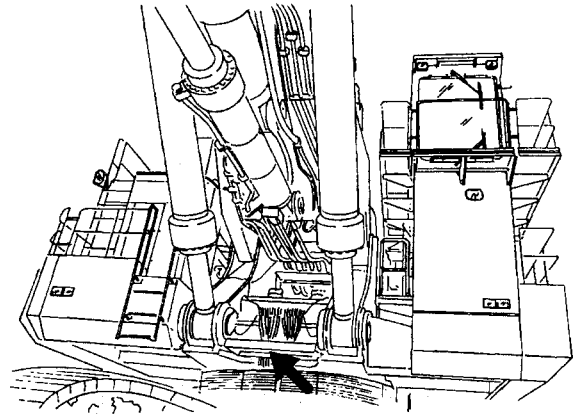
M118-07-095

PRODUCT IDENTIFICATION NUMBER

PRODUCT IDENTIFICATION NUMBER: _____

 NOTE:

18BP000501 — Marks to indicate the start and end of the PIN
— PRODUCT IDENTIFICATION NUMBER (PIN)

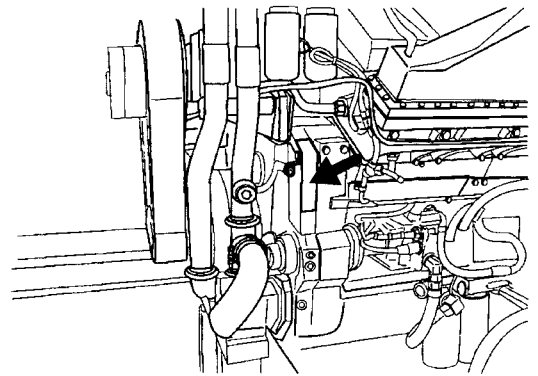


M118-01-011

ENGINE TYPE AND SERIAL NUMBER

TYPE: _____

MFG. NO.: _____

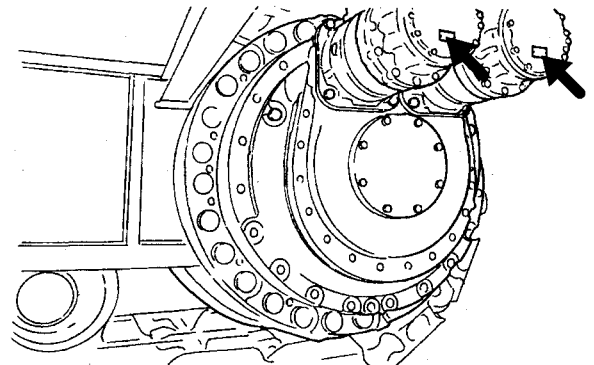


M141-07-019

TRAVEL MOTOR TYPE AND SERIAL NUMBER

TYPE: _____

MFG. NO.: _____



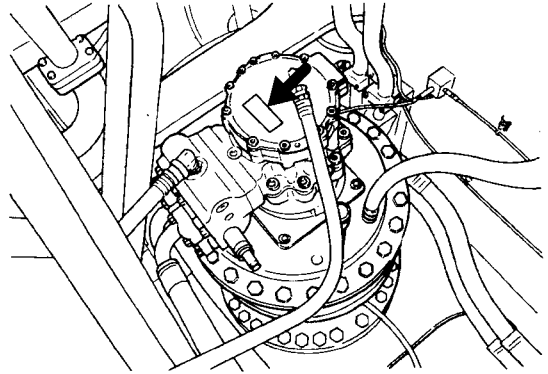
M118-07-029

MACHINE NUMBERS

SWING MOTOR TYPE AND SERIAL NUMBER

TYPE: _____

MFG. NO.: _____

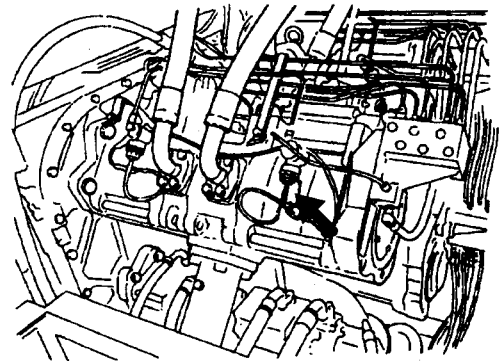


M117-07-082

HYDRAULIC PUMP TYPE AND SERIAL NUMBER

TYPE: _____

MFG. NO.: _____

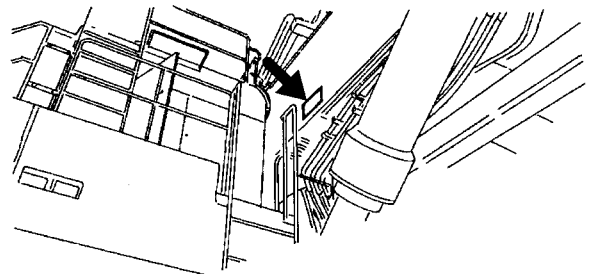


M118-07-044

FRONT TYPE AND SERIAL NUMBER (LOADING SHOVEL)

TYPE: _____

MFG. NO.: _____

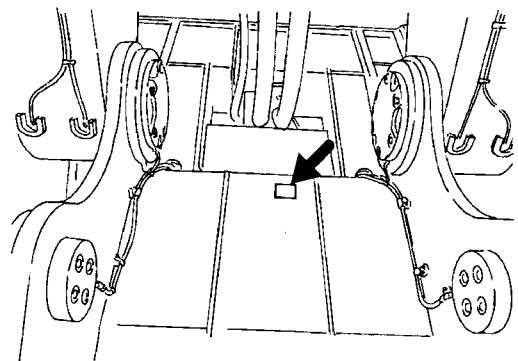


M118-07-101

BUCKET TYPE AND SERIAL NUMBER (LOADING SHOVEL)

TYPE: _____

MFG. NO.: _____



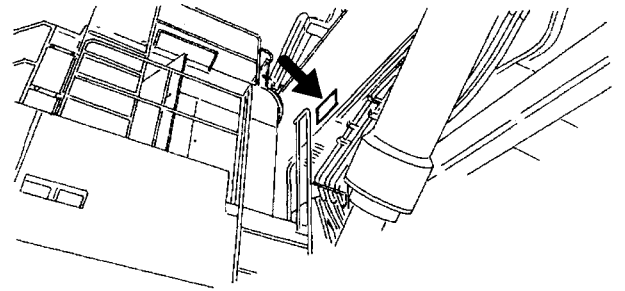
M118-07-100

MACHINE NUMBERS

FRONT TYPE AND SERIAL NUMBER (BACKHOE BOOM)

TYPE: _____

MFG. NO.: _____

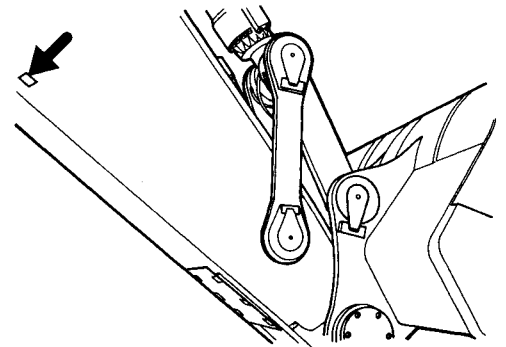


M118-07-101

FRONT TYPE AND SERIAL NUMBER (BACKHOE ARM)

TYPE: _____

MFG. NO.: _____

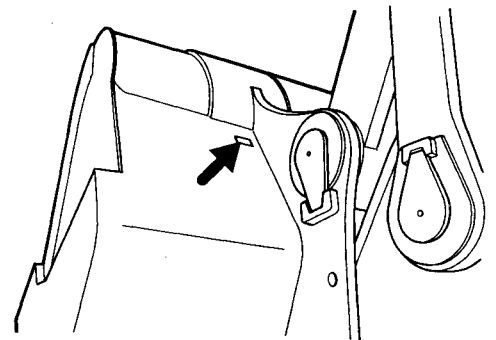


M118-07-128

BUCKET TYPE AND SERIAL NUMBER (BACKHOE)

TYPE: _____

MFG. NO.: _____



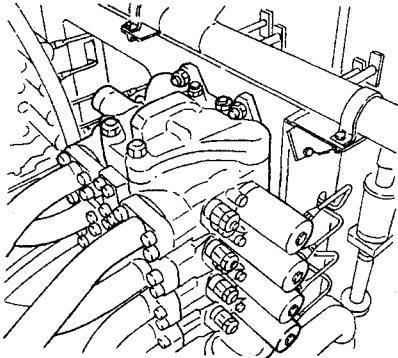
M118-07-129

MACHINE NUMBERS

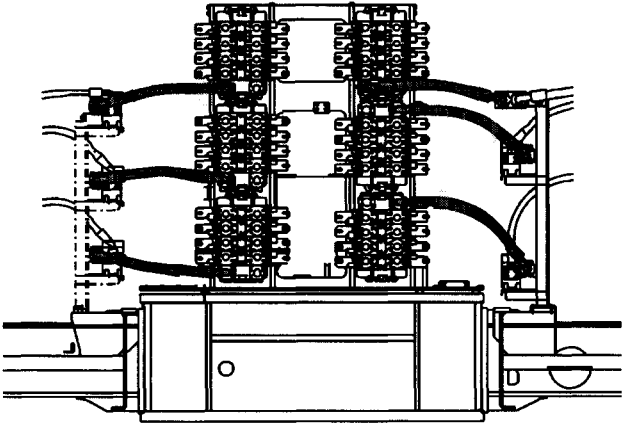
CONTROL VALVE TYPE AND SERIAL NUMBER

TYPE: _____

MFG. NO.: _____



M118-07-045

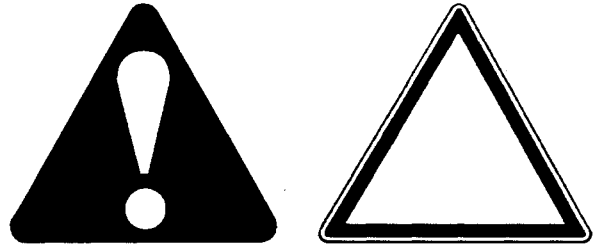


M118-07-084

SAFETY

RECOGNIZE SAFETY INFORMATION


- These are the **SAFETY ALERT SYMBOLS**.
 - When you see these symbols on your machine or in this manual, be alert to the potential for personal injury.
 - Follow recommended precautions and safe operating practices.



001-E01A-0001

SA-688

UNDERSTAND SIGNAL WORDS

- On machine safety signs, signal words designating the degree or level of hazard - **DANGER**, **WARNING**, or **CAUTION** - are used with the safety alert symbol.
 - **DANGER** indicates an imminently hazardous situation which, if not avoided, will result in death or serious injury.
 - **WARNING** indicates a potentially hazardous situation which, if not avoided, could result in death or serious injury.
 - **CAUTION** indicates a potentially hazardous situation which, if not avoided, may result in minor or moderate injury.
 - **DANGER** or **WARNING** safety signs are located near specific hazards. General precautions are listed on **CAUTION** safety signs.
 - Some safety signs don't use any of the designated signal words above after the safety alert symbol are occasionally used on this machine.
-
- **CAUTION** also calls attention to safety messages in this manual.
- To avoid confusing machine protection with personal safety messages, a signal word **IMPORTANT** indicates a situation which, if not avoided, could result in damage to the machine.
-  **NOTE** indicates an additional explanation for an element of information.



IMPORTANT



002-E01A-1223

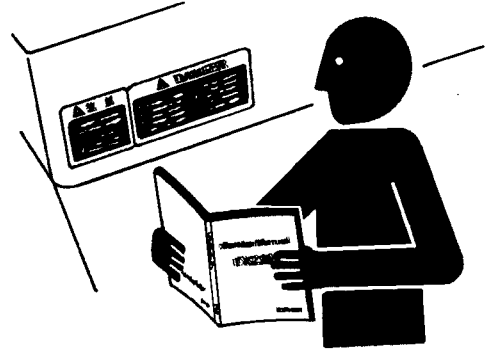
SA-1223

SAFETY

FOLLOW SAFETY INSTRUCTIONS

- Carefully read and follow all safety signs on the machine and all safety messages in this manual.
- Safety signs should be installed, maintained and replaced when necessary.
 - If a safety sign or this manual is damaged or missing, order a replacement from your authorized dealer in the same way you order other replacement parts (be sure to state machine model and serial number when ordering).
- Learn how to operate the machine and its controls correctly and safely.
- Allow only trained, qualified, authorized personnel to operate the machine.
- Keep your machine in proper working condition.
 - Unauthorized modifications of the machine may impair its function and/or safety and affect machine life.
- The safety messages in this SAFETY chapter are intended to illustrate basic safety procedures of machines. However it is impossible for these safety messages to cover every hazardous situation you may encounter. If you have any questions, you should first consult your supervisor and/or your authorized dealer before operating or performing maintenance work on the machine.

003-E01B-0003

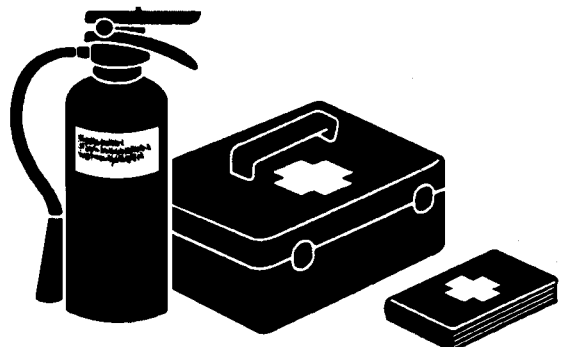


SA-003

PREPARE FOR EMERGENCIES

- Be prepared if a fire starts or if an accident occurs.
 - Keep a first aid kit and fire extinguisher on hand.
 - Thoroughly read and understand the label attached on the fire extinguisher to use it properly.
 - Establish emergency procedure guidelines to cope with fires and accidents.
 - Keep emergency numbers for doctors, ambulance service, hospital, and fire department posted near your telephone.

004-E01A-0437



SA-437

SAFETY

WEAR PROTECTIVE CLOTHING

- Wear close fitting clothing and safety equipment appropriate to the job.

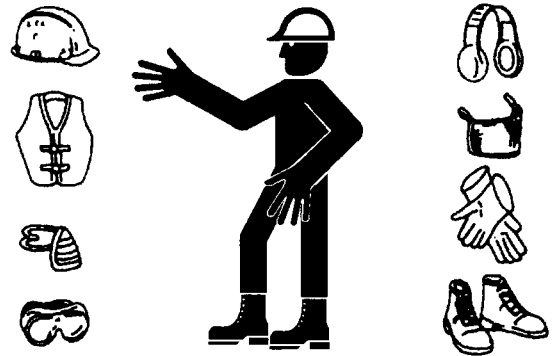
You may need:

- A hard hat
- Safety shoes
- Safety glasses, goggles, or face shield
- Heavy gloves
- Hearing protection
- Reflective clothing
- Wet weather gear
- Respirator or filter mask.

Be sure to wear the correct equipment and clothing for the job. Do not take any chances.

- Avoid wearing loose clothing, jewelry, or other items that can catch on control levers or other parts of the machine.
- Operating equipment safely requires the full attention of the operator. Do not wear radio or music headphones while operating the machine.

005-E01A-0438



SA-438

PROTECT AGAINST NOISE

- Prolonged exposure to loud noise can cause impairment or loss of hearing.
- Wear a suitable hearing protective device such as earmuffs or earplugs to protect against objectionable or uncomfortably loud noises.



006-E01A-0434

SA-434

INSPECT MACHINE

- Inspect your machine carefully each day or shift by walking around it before you start it to avoid personal injury.
- In the walk-around inspection, be sure to cover all points described in the "PRE-START INSPECTION" chapter in the operator's manual.



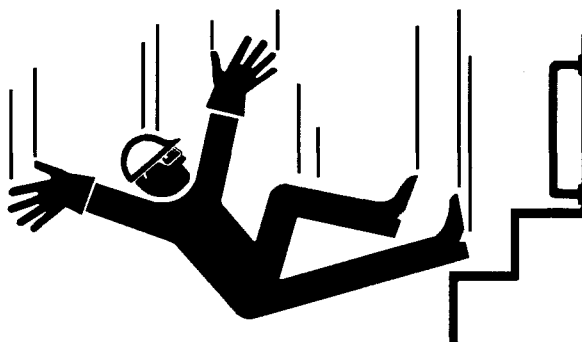
007-E01A-0435

SA-435

SAFETY

USE HANDHOLDS AND STEPS

- Falling is one of the major causes of personal injury.
- When you get on and off the machine, always face the machine and maintain a three-point contact with the steps and handrails.
- Do not use any controls as handholds.
- Never jump on or off the machine. Never mount or dismount a moving machine.
- Be careful of slippery conditions on platforms, steps, and handrails when leaving the machine.



SA-439

008-E01A-0439

ADJUST THE OPERATOR'S SEAT

- A poorly adjusted seat for either the operator or for the work at hand may quickly fatigue the operator leading to misoperations.
- The seat should be adjusted whenever changing the operator for the machine.
- The operator should be able to fully depress the pedals and to correctly operate the control levers with his back against the seat back.
- If not, move the seat forward or backward, and check again.



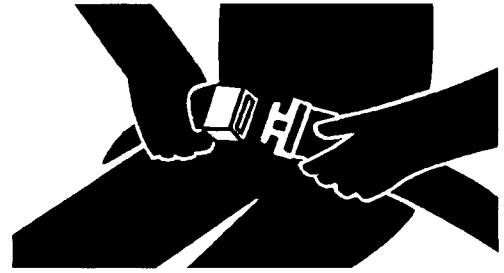
SA-378

009-E01A-0378

SAFETY

FASTEN YOUR SEAT BELT

- If the machine should overturn, the operator may become injured and/or thrown from the cab. Additionally the operator may be crushed by the overturning machine, resulting in serious injury or death.
- Prior to operating the machine, thoroughly examine webbing, buckle and attaching hardware. If any item is damaged or worn, replace the seat belt or component before operating the machine.
- Be sure to remain seated with the seat belt securely fastened at all times when the machine is in operation to minimize the chance of injury from an accident.
- We recommend that the seat belt be replaced every three years regardless of its apparent condition.

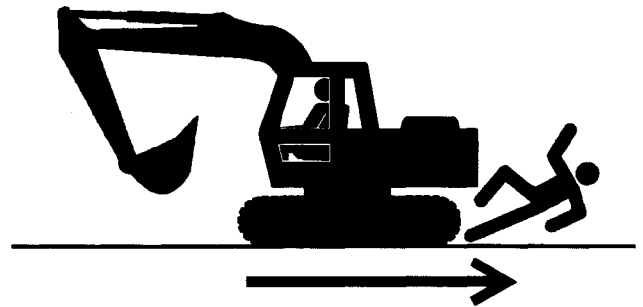


SA-237

010-E01A-0237

MOVE AND OPERATE MACHINE SAFELY

- Bystanders can be run over.
- Take extra care not to run over bystanders. Confirm the location of bystanders before moving, swinging, or operating the machine.
- Always keep the travel alarm and horn in working condition (if equipped). It warns people when the machine starts to move.
- Use a signal person when moving, swinging, or operating the machine in congested areas. Coordinate hand signals before starting the machine.



SA-426

011-E01A-0426

HANDLE STARTING AIDS SAFELY

Starting fluid:

- Starting fluid is highly flammable.
- Keep all sparks and flame away when using it.
- Keep starting fluid well away from batteries and cables.
- Remove container from machine if engine does not need starting fluid.
- To prevent accidental discharge when storing a pressurized container, keep the cap on the container, and store it in a cool, well-protected location.
- Do not incinerate or puncture a starting fluid container.



SA-293

036-E01A-0293-3

SAFETY

OPERATE ONLY FROM OPERATOR'S SEAT

- Inappropriate engine starting procedures may cause the machine to runaway, possibly resulting in serious injury or death.
 - Start the engine only from the operator's seat.
 - NEVER start the engine while standing on the track or on ground.
 - Do not start engine by shorting across starter terminals.
 - Before starting the engine, confirm that all control levers are in neutral.



SA-444

012-E01B-0444

JUMP STARTING

- Battery gas can explode, resulting in serious injury.
 - If the engine must be jump started, be sure to follow the instructions shown in the "OPERATING THE ENGINE" chapter.
 - The operator must be in the operator's seat so that the machine will be under control when the engine starts. Jump starting is a two-person operation.
 - Never use a frozen battery.
 - Failure to follow correct jump starting procedures could result in a battery explosion or a runaway machine.



SA-032

S013-E01A-0032

KEEP RIDERS OFF MACHINE

- Riders on machine are subject to injury such as being struck by foreign objects and being thrown off the machine.
 - Only allow the operator on the machine. Keep riders off.
 - Riders also obstruct the operator's view, resulting in the machine being operated in an unsafe manner.



SA-379

014-E01B-0379

SAFETY

INVESTIGATE JOB SITE BEFOREHAND

- When working at the edge of an excavation or on a road shoulder, the machine could tip over, possibly resulting in serious injury or death.
- Investigate the configuration and ground conditions of the job site beforehand to prevent the machine from falling and to prevent the ground, stockpiles, or banks from collapsing.
- Make a work plan. Use machines appropriate to the work and job site.
- Reinforce ground, edges, and road shoulders as necessary. Keep the machine well back from the edges of excavations and road shoulders.
- When working on an incline or on a road shoulder, employ a signal person as required.
- Confirm that your machine is equipped a FOPS cab before working in areas where the possibility of falling stones or debris exist.
- When the footing is weak, reinforce the ground before starting work.
- When working on frozen ground, be extremely alert. As ambient temperatures rise, footing becomes loose and slippery.

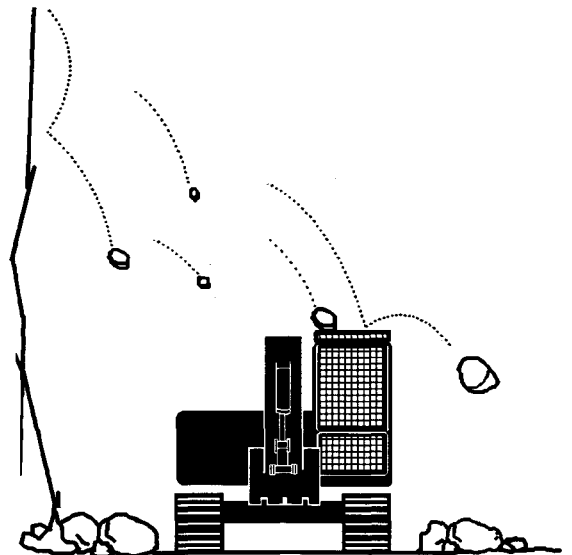


SA-380

015-E01A-0380

PROTECT AGAINST FALLING STONES AND DEBRIS

- Confirm that your machine is FOPS cab equipped before working in areas where the possibility of falling stones or debris exist.



SA-490

015-E01A-0380

SAFETY

PROVIDE SIGNALS FOR JOBS INVOLVING MULTIPLE NUMBERS OF MACHINES

- For jobs involving multiple numbers of machines, provide signals commonly known by all personnel involved. Also, appoint a signal person to coordinate the job site. Make sure that all personnel obey the signal person's directions.

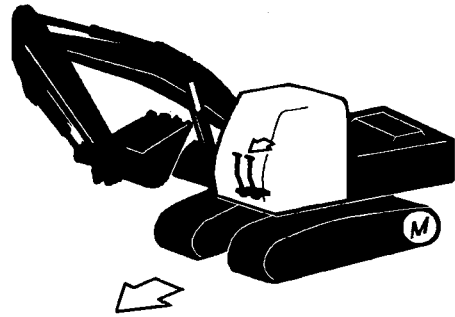


018-E01A-0481

SA-481

CONFIRM DIRECTION OF MACHINE TO BE DRIVEN

- Incorrect travel pedal/lever operation may result in serious injury death.
- Before driving the machine, confirm the position of the undercarriage in relation to the operator's position. If the travel motors are located in front of the cab, the machine will move in reverse when travel pedals/levers are operated to the front.



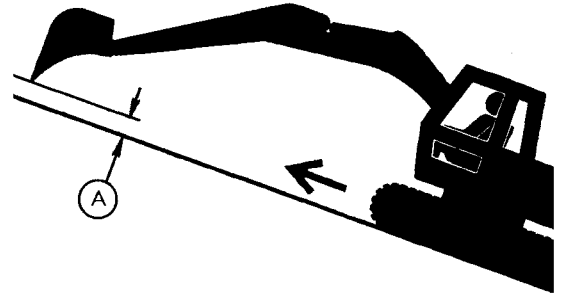
017-E01A-0491

SA-491

SAFETY

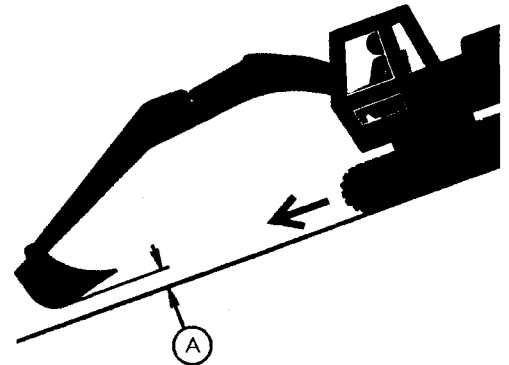
DRIVE MACHINE SAFELY

- Before driving the machine, always confirm that the travel levers/pedals direction corresponds to the direction you wish to drive.
- Be sure to detour around any obstructions.

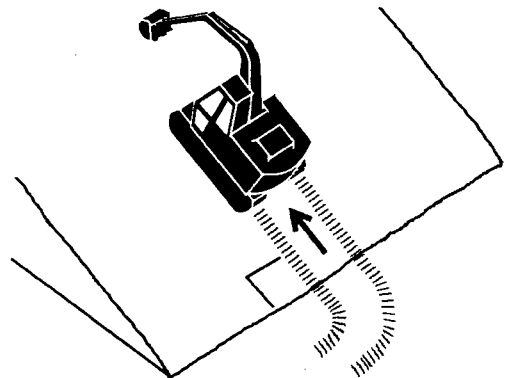


SA-387

- Driving on a slope may cause the machine to slip or overturn, possibly resulting in serious injury or death.
- When driving up or down a slope, keep the bucket facing the direction of travel, approximately 0.5 to 1.0 m (A) above the ground.
- If the machine starts to skid or becomes unstable, immediately lower the bucket to the ground and stop.

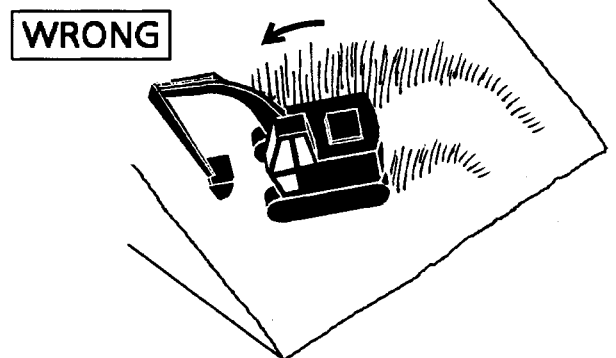


SA-388



SA-441

- Driving across the face of a slope or steering on a slope may cause the machine to skid or turnover. If the direction must be changed, move the machine to level ground, then, change the direction to ensure safe operation.



SA-589

019-E01C-0492

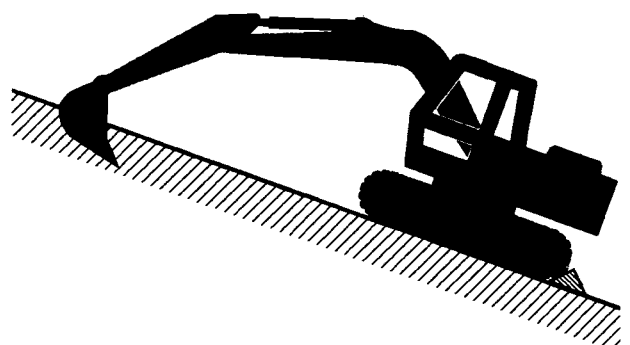
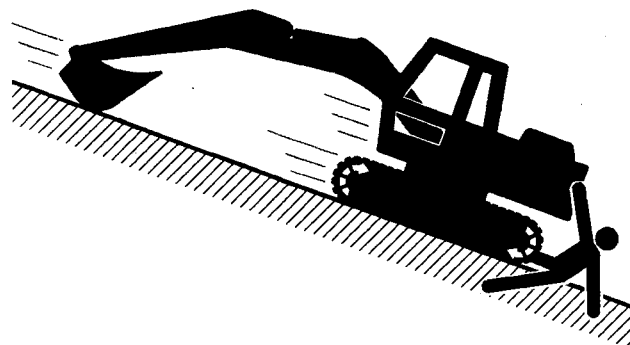
SAFETY

AVOID INJURY FROM ROLLAWAY ACCIDENTS

- Death or serious injury may result if you attempt to mount or stop a moving machine.

To avoid rollaways:

- Select level ground when possible to park machine.
- Do not park the machine on a grade.
- Lower the bucket and/or other work tools to the ground.
- Turn the auto-idle switch and the H/P mode switch off.
- Run the engine at slow idle speed without load for 5 minutes to cool down the engine.
- Stop the engine and remove the key from the key switch.
- Pull the pilot control shut-off lever to LOCK position.
- Block both tracks and lower the bucket to the ground. Thrust the bucket teeth into the ground if you must park on a grade.
- Position the machine to prevent rolling.
- Park a reasonable distance from other machines.



020-E02A-0493

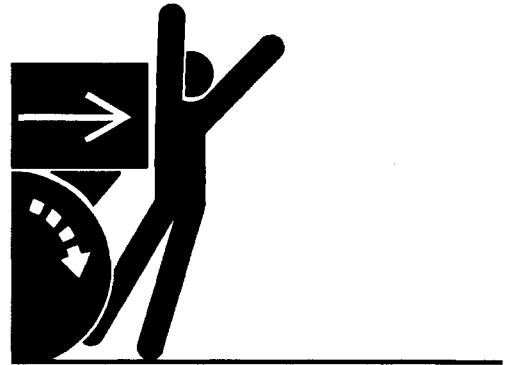
SAFETY

AVOID INJURY FROM BACK-OVER AND SWING ACCIDENTS

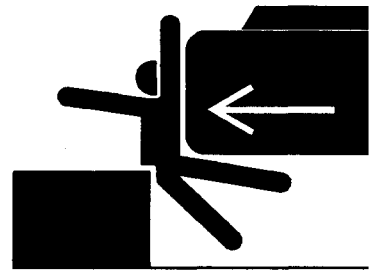
- If any person is present near the machine when backing or swinging the upperstructure, the machine may hit or run over that person, resulting in serious injury or death.

To avoid back-over and swing accidents:

- Always look around **BEFORE YOU BACK UP AND SWING THE MACHINE. BE SURE THAT ALL BYSTANDERS ARE CLEAR.**
- Keep the travel alarm in working condition (if equipped).
ALWAYS BE ALERT FOR BYSTANDERS MOVING INTO THE WORK AREA. USE THE HORN OR OTHER SIGNAL TO WARN BYSTANDERS BEFORE MOVING MACHINE.
- **USE A SIGNAL PERSON WHEN BACKING UP IF YOUR VIEW IS OBSTRUCTED. ALWAYS KEEP THE SIGNAL PERSON IN VIEW.**
Use hand signals, which conform to your local regulations, when work conditions require a signal person.
- No machine motions shall be made unless signals are clearly understood by both signalman and operator.
- Learn the meanings of all flags, signs, and markings used on the job and confirm who has the responsibility for signaling.
- Keep windows, mirrors, and lights clean and in good condition.
- Dust, heavy rain, fog, etc., can reduce visibility. As visibility decreases, reduce speed and use proper lighting.
- Read and understand all operating instructions in the operator's manual.



SA-383



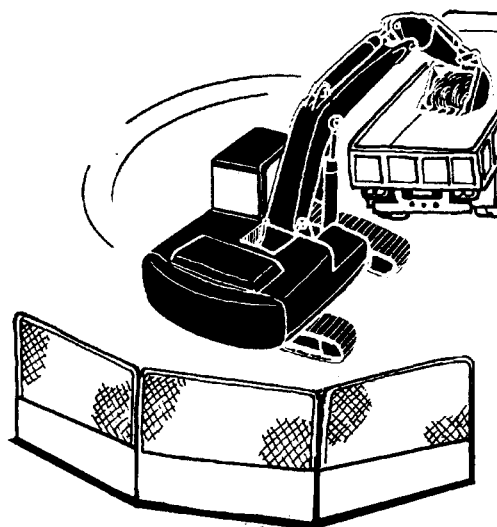
SA-384

021-E01A-0494

SAFETY

KEEP PERSON CLEAR FROM WORKING AREA

- A person may be hit severely by the swinging front attachment or counterweight and/or may be crushed against an other object, resulting in serious injury or death.
- Keep all persons clear from the area of operation and machine movement.
- Before operating the machine, set up barriers to the sides and rear area of the bucket swing radius to prevent anyone from entering the work area.



022-E01A-0386

SA-386

NEVER POSITION BUCKET OVER ANYONE

- Never lift, move, or swing bucket above anyone or a truck cab. Serious injury or machine damage may result due to bucket load spill or due to collision with the bucket.

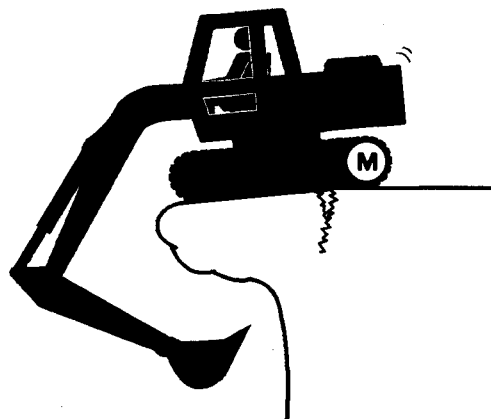


023-E01A-0487

SA-487

AVOID UNDERCUTTING

- In order to retreat from the edge of an excavation if the footing should collapse, always position the undercarriage perpendicular to the edge of the excavation with the travel motors at the rear.
- If the footing starts to collapse and if retreat is not possible, do not panic. Often, the machine can be secured by lowering the front attachment, in such cases.



024-E01A-0488

SA-488

SAFETY

AVOID TIPPING

DO NOT ATTEMPT TO JUMP CLEAR OF TIPPING MACHINE --- SERIOUS OR FATAL CRUSHING INJURIES WILL RESULT

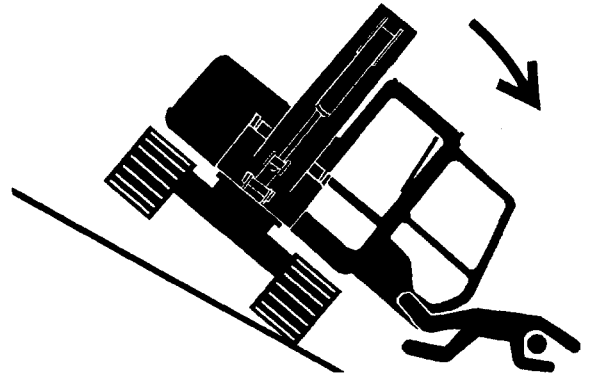
MACHINE WILL TIP OVER FASTER THAN YOU CAN JUMP FREE

FASTEN YOUR SEAT BELT

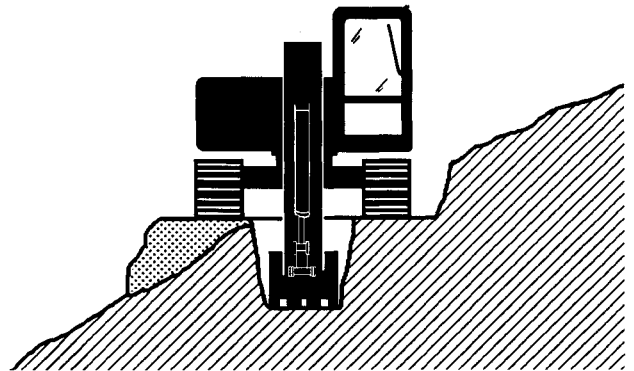
- The danger of tipping is always present when operating on a grade, possibly resulting in serious injury or death.

To avoid tipping:

- Be extra careful before operating on a grade.
 - Prepare machine operating area flat.
 - Keep the bucket low to the ground and close to the machine.
 - Reduce operating speeds to avoid tipping or slipping.
 - Avoid changing direction when traveling on grades.
 - NEVER attempt to travel across a grade steeper than 15 degrees if crossing the grade is unavoidable.
 - Reduce swing speed as necessary when swinging loads.
- Be careful when working on frozen ground.
 - Temperature increases will cause the ground to become soft and make ground travel unstable.



SA-012

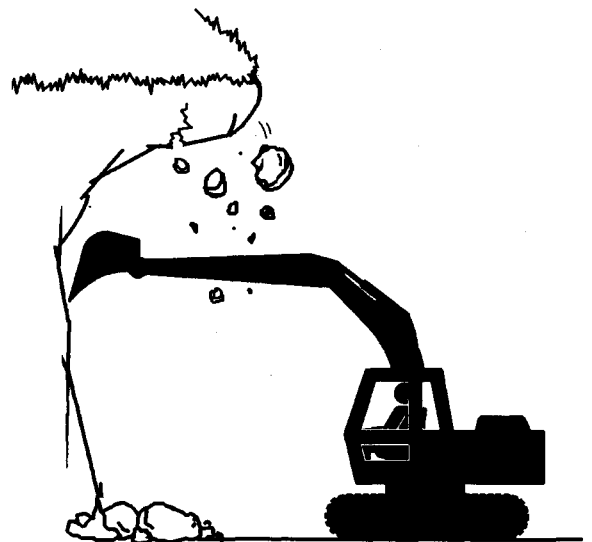


SA-440

025-E01B-0495

NEVER UNDERCUT A HIGH BANK

- The edges could collapse or a land slide could occur causing serious injury or death.



SA-489

026-E01A-0489

Thank you so much for reading.
Please click the “Buy Now!”
button below to download the
complete manual.



After you pay.

You can download the most
perfect and complete manual in
the world immediately.

Our support email:

ebooklibonline@outlook.com