

Operator's Manual

ZAXIS

250LC-5N

290LC-5N

350LC-5N

Hydraulic Excavator

Serial No.

ZX250LC-5N 430001 and up

ZX290LC-5N 830001 and up

ZX350LC-5N 930001 and up

INDEX

MACHINE NUMBERS

SAFETY

SAFETY SIGNS

COMPONENTS NAME

GETTING ON/OFF THE MACHINE

OPERATOR'S STATION

BREAK-IN

OPERATING THE ENGINE

DRIVING THE MACHINE

OPERATING THE MACHINE

TRANSPORTING

MAINTENANCE

MAINTENANCE UNDER SPECIAL ENVIRONMENTAL CONDITIONS

STORAGE

TROUBLESHOOTING

SPECIFICATIONS

INDEX

CONTENTS

MACHINE NUMBERS	1
SAFETY	S-1
Recognize Safety Information	S-1
Understand Signal Words.....	S-1
Follow Safety Instructions.....	S-2
Prepare for Emergencies.....	S-3
Wear Protective Clothing.....	S-3
Protect Against Noise	S-4
Inspect Machine	S-4
General Precautions for Cab.....	S-5
Use Handholds and Steps	S-6
Adjust the Operator's Seat	S-6
Ensure Safety Before Rising from or Leaving Operator's Seat	S-7
Fasten Your Seat Belt	S-7
Move and Operate Machine Safely.....	S-8
Operate Only from Operator's Seat	S-8
Jump Starting	S-9
Keep Riders off Machine	S-9
Precautions for Operations	S-10
Investigate Job Site Beforehand	S-11
Install OPG Guard	S-12
Provide Signals for Jobs Involving Multiple Machines....	S-13
Confirm Direction of Machine to Be Driven.....	S-13
Drive Machine Safely.....	S-14
Avoid Injury from Rollaway Accidents.....	S-16
Avoid Injury from Back-Over and Swing Accidents	S-17
Keep Person Clear from Working Area.....	S-18
Never Position Bucket Over Anyone	S-18
Avoid Undercutting.....	S-19
Avoid Tipping.....	S-19
Never Undercut a High Bank.....	S-20
Dig with Caution.....	S-20
Operate with Caution	S-20
Avoid Power Lines.....	S-21
Precautions for Lightning.....	S-21
Object Handling	S-22
Protect Against Flying Debris	S-22
Park Machine Safely.....	S-23
Handle Fluids Safely—Avoid Fires.....	S-23
Transport Safely	S-24
Practice Safe Maintenance.....	S-25
Warn Others of Service Work	S-26
Support Machine Properly.....	S-26
Stay Clear of Moving Parts	S-27
Prevent Parts from Flying	S-27
Store Attachments Safely	S-28
Prevent Burns.....	S-28
Replace Rubber Hoses Periodically.....	S-29
Avoid High-Pressure Fluids	S-29
Prevent Fires.....	S-30
Evacuating in Case of Fire.....	S-32
Beware of Exhaust Fumes.....	S-32
Precautions for Welding and Grinding	S-33
Avoid Heating Near Pressurized Fluid Lines	S-34
Avoid Applying Heat to Lines Containing Flammable Fluids.....	S-34
Precautions for Handling Accumulator and Gas Dumper	S-34
Remove Paint Before Welding or Heating	S-35
Beware of Asbestos and Silicon Dust and Other Contamination	S-35
Prevent Battery Explosions	S-36
Service Air Conditioning System Safely	S-36
Handle Chemical Products Safely.....	S-37
Dispose of Waste Properly.....	S-37
Never Ride Attachment.....	S-38
Notes for Muffler Filter.....	S-38
Precautions for Communication Terminal.....	S-38
Precaution for Communication Terminal Equipment	S-39
SAFETY SIGNS	S-41
COMPONENTS NAME.....	1-1
Components Name	1-1
GETTING ON / OFF THE MACHINE.....	1-2
Getting ON/OFF the Machine	1-2
Muffler Filter.....	1-3
OPERATOR'S STATION.....	1-6
Cab Features.....	1-6
Multi Function Monitor	1-7
Monitor Initial Value	1-8
Basic Screen.....	1-9
How to Use Screens.....	1-10
Displaying Basic Screen	1-10
Hour Meter	1-13
Clock.....	1-13
Fuel Gauge	1-13
Coolant Temperature Gauge	1-14
Operating Status Icon Display.....	1-14
Security Functions	1-15
Input Password	1-15
Extending Password Duration Time	1-16
Alarm Occurrence Screen.....	1-17
Contents of Alarms	1-19
Muffler Filter	1-23
Muffler Filter Condition Display.....	1-23
Muffler Filter Manual Regeneration Request.....	1-24
Manual Regeneration Procedure	1-25
Main Menu.....	1-26
Air Conditioner.....	1-27
Circulation Air Mode	1-27
Air Conditioner Compressor ON/OFF	1-27
Radio	1-28
Work Mode	1-29
Attachment selection.....	1-29
Mail (Optional).....	1-30
Setting Menu	1-32
Date and Time.....	1-33
Time adjustment.....	1-33
Date Adjustment.....	1-35

CONTENTS

Display Mode Setting	1-37	Horn Switch	1-96
Attachment Adjust.....	1-39	Electrical Control Switch (Optional).....	1-97
Flow rate adjustment	1-39	Cigar Lighter.....	1-99
Priority (arm roll-out).....	1-41	Using Cigar Lighter.....	1-99
Attachment Name Input.....	1-43	Using Cigar Lighter Port as External Power Source ...	1-99
Auto Shut-Down	1-45	Cab Light Switch.....	1-100
Auto Shut-Down: ON/OFF	1-45	Installing Fire Extinguisher (Optional)	1-100
Acting Time Setting.....	1-46	Pilot Control Shut-Off Lever	1-101
Muffler Filter Regeneration Inhibited	1-47	Engine Stop Switch.....	1-101
Setting Procedure	1-47	Fuse Box.....	1-102
Password Change	1-49	Auto Air Conditioner	1-103
Sub Meter	1-53	Features:.....	1-103
Rear View Camera Monitor	1-55	Components Name	1-104
Rear View Camera ON/OFF	1-55	Controller Part Name and Function	1-105
Brightness Adjustment.....	1-57	Cab Heater Operation	1-107
Language Settings.....	1-59	Cooling Operation.....	1-108
Lists of Display Language.....	1-61	Defroster Operation.....	1-109
Unit Selection	1-62	Cool Head/Warm Feet Operation.....	1-109
Display Item Selection (Rear View Camera OFF)	1-64	Tips for Optimal Air Conditioner Usage	1-110
Main Menu Sequence Change	1-66	For Rapid Cooling	1-110
Information Menu	1-68	When Windows Become Clouded	1-110
Operation	1-69	Off-Season Air Conditioner Maintenance	1-110
Fuel Consumption	1-69	AM/FM Radio Operation	1-111
Breaker Operation	1-71	Controls on the radio.....	1-111
Attachment Operation	1-73	Tuning Procedure	1-111
Travel Operation	1-75	Station Presetting Procedure.....	1-112
Actual Operation	1-77	Station Auto-Presetting Procedure	1-113
Maintenance	1-79	TONE Control	1-114
Time Remains and Maintenance Interval.....	1-81	Audio Input (Optional)	1-115
Troubleshooting	1-83	Cab Door Release Lever	1-116
Monitoring.....	1-85	Opening/Closing and Removing Cab Inside Window ..	1-117
Switch Panel.....	1-87	Opening Upper Front Window	1-118
Return to Previous Screen (Monitor)	1-88	Removing and Storing Lower Front Window	1-119
Return to Basic Screen (Monitor)	1-88	Opening Side Windows.....	1-120
Select/Set Switch (Monitor)	1-88	Opening/Closing Overhead Window.....	1-121
Temperature Control Switch/Mode Switch		Opening/Closing Overhead Window (Clear Hatch: If	
(Air Conditioner)	1-88	Equipped)	1-122
AUTO/OFF Switch/Fan Switch (Air Conditioner).....	1-88	Emergency Exit	1-123
AM/FM Selector/Tuning Switch (Radio).....	1-89	Adjusting Operator's Seat	1-124
Power Switch/Volume Control Knob (Radio)	1-89	Seat Height and Angle Adjustment	1-124
Engine Control Dial	1-89	Console and Seat Fore-aft Adjustment.....	1-124
Auto-Idle Switch.....	1-90	Seat Fore-Aft Adjustment	1-124
Travel Mode Switch	1-90	Suspension Adjustment	1-124
Mode Switch.....	1-91	Backrest Adjustment	1-125
Work Light Switch.....	1-91	Armrest Adjustment	1-125
Wiper/Washer Switch	1-92	Adjusting Operator's Seat (Optional)	1-126
Overhead Window Wiper/Washer Switch		Seat Height and Angle Adjustment	1-126
(Optional)	1-93	Console and Seat Fore-aft Adjustment.....	1-126
Numeric Keypad.....	1-93	Seat Fore-Aft Adjustment	1-126
Switch Panel (for Optional Equipments).....	1-94	Suspension Adjustment	1-126
Travel Alarm Deactivation Switch (Optional).....	1-95	Backrest Adjustment	1-127
Swing Alarm Deactivation Switch (Optional)	1-95	Armrest Adjustment	1-127
Rear Light Switch (Optional).....	1-95	Console Height Adjustment.....	1-128
Electrical Control Main Switch (Optional)	1-95	Adjusting Procedures.....	1-128
Key Switch.....	1-96	Installing and Adjusting Mirror	1-129
Power Boost Switch	1-96	Seat Belt	1-130

CONTENTS

BREAK-IN	2-1	Precautions for Crusher Operation	5-34
Observe Engine Operation Closely	2-1	Attachment.....	5-37
Every 8 Hours or Daily.....	2-1	Attachments.....	5-39
After the First 50 Hours	2-1	Attachment Connection Parts	5-41
After the First 100 Hours.....	2-1	Precaution for Arm Roll-In/Bucket Roll-In Combined Operation.....	5-42
OPERATING THE ENGINE	3-1	Shackle Hole Usage	5-42
Inspect Machine Daily Before Starting	3-1	Emergency Boom Lowering Procedure	5-43
Before Starting Engine	3-2	Precautions for After Operations.....	5-44
Starting the Engine in Ordinary Temperature.....	3-3	TRANSPORTING	6-1
Starting In Cold Weather	3-5	Transporting by Road	6-1
Check Instruments After Starting.....	3-7	Loading/Unloading on a Trailer	6-2
Using Booster Batteries.....	3-8	Lifting Machine	6-7
Stopping the Engine	3-10	MAINTENANCE	7-1
DRIVING THE MACHINE	4-1	Correct Maintenance and Inspection Procedures.....	7-1
Drive the Machine Carefully	4-1	Check the Hour Meter Regularly.....	7-2
Steering the Machine Using Pedals	4-2	Use Correct Fuels and Lubricants	7-2
Steering the Machine Using Levers	4-3	Layout.....	7-3
Travel Mode Switch	4-4	Maintenance Guide Table.....	7-4
Travel Alarm (Optional)	4-5	Maintenance Guide Table	7-5
Operating on Soft Ground	4-6	Prepare Machine for Maintenance.....	7-6
Raise One Track Using Boom and Arm	4-7	Hood and Access Covers.....	7-7
Towing Machine a Short Distance.....	4-8	Periodic Replacement of Parts.....	7-8
Operating in Water or Mud	4-9	Maintenance Guide	7-9
Parking the Machine on Slopes.....	4-10	A. GREASING.....	7-16
Parking the Machine	4-10	Front Joint Pins	7-16
OPERATING THE MACHINE	5-1	Swing Bearing	7-18
Control Lever (ISO Pattern)	5-1	Swing Internal Gear.....	7-19
Control Lever (2 Way Multi Valve) (Optional).....	5-2	Electric Grease Gun (Only ZX350LC-5N).....	7-21
Attachment Pedal (Hydraulic Breaker) (Optional)	5-3	Electric Grease Gun	7-23
Attachment Pedal (Hydraulic Crusher) (Optional).....	5-4	Specifications	7-23
Pilot Control Shut-Off Lever	5-5	Attachments	7-23
Engine Speed Control.....	5-7	Components Name	7-24
Auto-Idle.....	5-8	Battery Charger Operation	7-25
Auto Shut-Down	5-10	Charger Lamp.....	7-26
Muffler Filter Manual Regeneration.....	5-13	Normal Charging Method	7-27
Work Mode	5-15	Installing/Removing Battery Pack.....	7-27
Power Boost	5-18	Electric Source.....	7-27
Power Mode	5-19	Preparation for Using Electric Grease Gun.....	7-29
Operating Backhoe	5-20	Greasing Method	7-30
Face Shovel Operation.....	5-21	After Using Grease Gun	7-31
Grading Operation.....	5-22	B. ENGINE.....	7-32
Do Not Strike the Ground with Bucket Teeth	5-23	Engine Oil Level	7-32
Avoid Hammer Work	5-23	Change Engine Oil	7-34
Avoid Abusive Operation	5-24	Replace Engine Oil Filter.....	7-34
Avoid Side Load the Bucket.....	5-24	C. TRANSMISSION	7-37
Do Not Use Wide Track Shoes on Rough Ground.	5-25	Pump Transmission	7-37
Hydraulic Breaker, Hydraulic Crusher and Quick Coupler	5-26	Swing Reduction Gear	7-38
Pipings for Breaker and Crusher (Optional)	5-27	Travel Reduction Gear	7-39
Secondary Relief Pressure Adjustment	5-28	D. Hydraulic System.....	7-41
Precautions for Breaker Operation.....	5-29	Inspection and Maintenance of Hydraulic Equipment... ..	7-41
Do Not Use Breaker for Lifting Operation	5-30	Breaker Maintenance	7-43
Change Hydraulic Oil and Replace Full-Flow Filter Element	5-33	Check Hydraulic Oil Level	7-45
		Change Hydraulic Oil.....	7-46
		Suction Filter Cleaning.....	7-46

CONTENTS

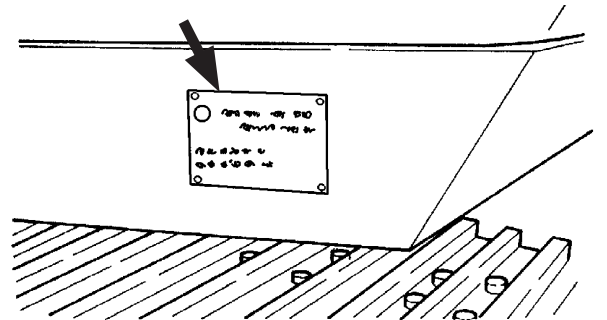
Air Bleeding Procedures	7-48	MAINTENANCE UNDER SPECIAL ENVIRONMENTAL CONDITIONS	9-1
Replace Hydraulic Oil Tank Filter	7-49	STORAGE	10-1
Replace Pilot Oil Filter.....	7-52	TROUBLESHOOTING	11-1
Replace Air Breather Element.....	7-53	Troubleshooting	11-1
Replacement Procedures	7-53	SPECIFICATIONS	12-1
Check Hoses and Lines	7-54	Specifications.....	12-1
E. Fuel System	7-59	ZX250LC-5N	12-1
Recommended Fuel.....	7-59	Working Ranges (Grouser shoe).....	12-2
Refueling.....	7-59	ZX250LC-5N	12-2
Drain Fuel Tank Sump.....	7-61	Shoe Types and Applications	12-3
Drain Fuel Filter.....	7-62	ZX250LC-5N	12-3
Draining Procedures (Main Filter)	7-62	Bucket Types and Applications	12-4
Replace Fuel Main Filter Element	7-66	ZX250LC-5N	12-4
Replace Fuel Pre-Filter Element	7-67	Specifications.....	12-5
Clean Fuel Solenoid Pump Strainer.....	7-68	ZX290LC-5N	12-5
Check Water Separator (Optional)	7-69	Working Ranges.....	12-6
Check Fuel Hoses	7-71	ZX290LC-5N	12-6
F. Air Cleaner.....	7-72	Shoe Types and Applications	12-7
Clean Air Cleaner Outer Element	7-72	ZX290LC-5N	12-7
Replace Air Cleaner Outer and Inner Elements.....	7-72	Bucket Types and Applications	12-8
G. Cooling System	7-74	ZX290LC-5N	12-8
Check Coolant Level	7-75	Specifications	12-9
Check and Adjust Fan Belt Tension.....	7-76	ZX350LC-5N	12-9
Change Coolant.....	7-77	Working Ranges (Grouser Shoe)	12-10
Clean Radiator, Oil Cooler Core and Inter Cooler	7-78	ZX350LC-5N	12-10
Clean Oil Cooler, Radiator and Inter Cooler Front Screen	7-78	Shoe Types and Applications	12-11
Clean Air Conditioner Condenser	7-78	ZX350LC-5N	12-11
Clean Fuel Oil Cooler	7-78	Bucket Types and Applications	12-12
Clean Air Conditioner Front Screen.....	7-78	ZX350LC-5N	12-12
H. Electrical System.....	7-79	INDEX.....	14-1
Batteries	7-79		
Replace Batteries	7-83		
Replacing Fuses	7-84		
I. Miscellaneous.....	7-86		
Check Bucket Teeth	7-86		
Change Bucket.....	7-90		
Convert Bucket Connection Into Face Shovel	7-91		
Adjust Bucket Linkage	7-92		
Remove Travel Levers	7-93		
Check and Replace Seat Belt.....	7-93		
Check Windshield Washer Fluid Level	7-94		
Check Track Sag.....	7-95		
Clean and Replace Air Conditioner Filter	7-97		
Check Air Conditioner	7-99		
Clean Cab Floor.....	7-100		
Retighten Cylinder Head Bolt.....	7-101		
Inspect and Adjust Valve Clearance	7-101		
Measure Engine Compression Pressure.....	7-101		
Check Starter and Alternator	7-101		
Check and Replace EGR Device	7-101		
Check Gas Dumper.....	7-102		
Check Tightening Torque of Bolts and Nuts	7-103		
J. Muffler Filter	7-116		
Check and Clean Filter Element of Muffler Filter	7-116		
Check and Clean Muffler Filter	7-116		

MACHINE NUMBERS

The manufacturing Nos. explained in this group is the individual number (serial No.) given to each machine and hydraulic components. These numbers are requested when inquiring any information on the machine and/or components. Fill these serial Nos. in the blank spaces in this group to immediately make them available upon request.

Machine

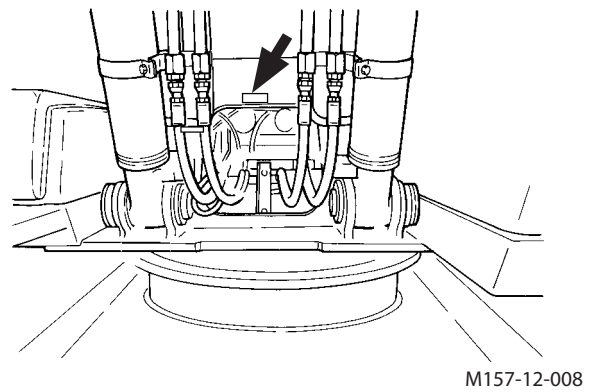
TYPE: _____
 PRODUCT IDENTIFICATION NUMBER: _____



Product Identification Number

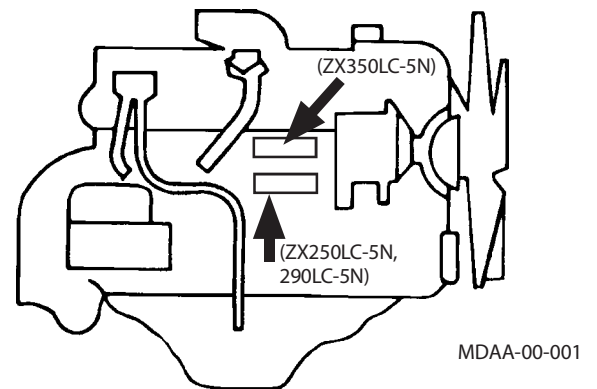
PRODUCT IDENTIFICATION NUMBER: _____

NOTE: Marks to indicate the start and end of the PIN
 HCMDCAA0000100001
 PRODUCT IDENTIFICATION NUMBER (PIN)



Engine

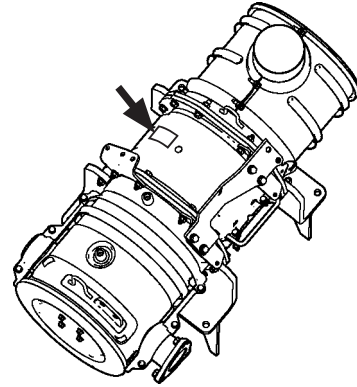
TYPE: _____
 MFG. NO.: _____



MACHINE NUMBERS

Muffler Filter

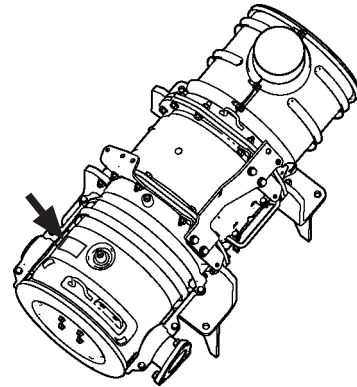
TYPE: _____
MFG. NO.: _____



MDAA-00-002

DOC (Oxidation Catalyst)

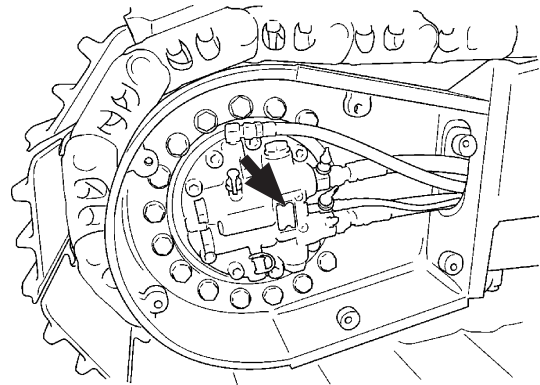
TYPE: _____
MFG. NO.: _____



MDAA-00-002

Travel Motor

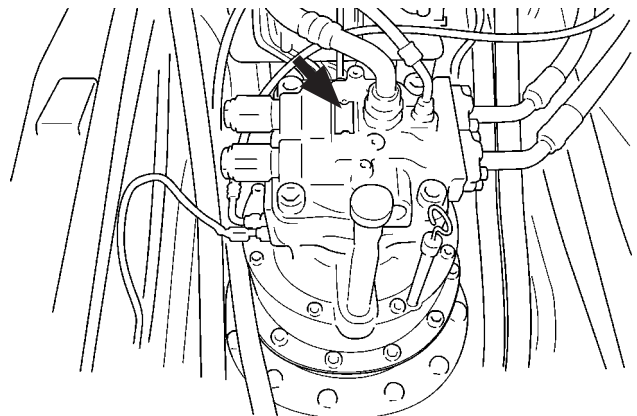
TYPE: _____
MFG. NO.: _____



M178-07-047

Swing Motor

TYPE: _____
MFG. NO.: _____



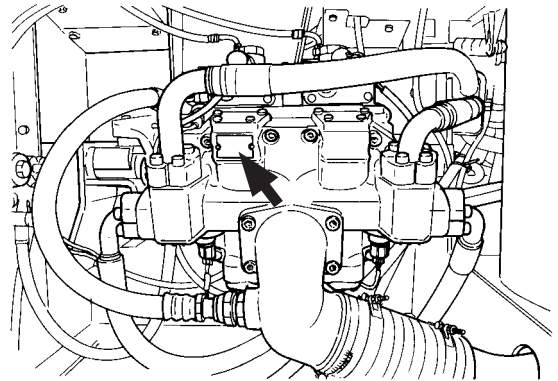
M178-07-086

MACHINE NUMBERS

Hydraulic Pump

TYPE: _____

MFG. NO.: _____

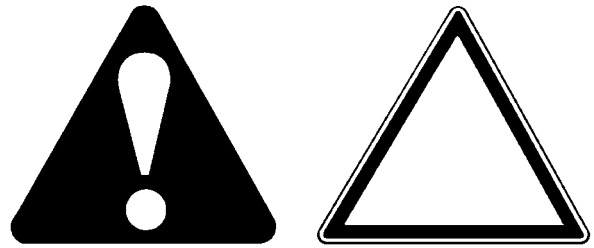


M157-00-004

SAFETY

Recognize Safety Information

- These are the **SAFETY ALERT SYMBOLS**.
 - When you see these symbols on your machine or in this manual, be alert to the potential for personal injury.
 - Follow recommended precautions and safe operating practices.




SA-688

Understand Signal Words

- On machine safety signs, signal words designating the degree or level of hazard - DANGER, WARNING, or CAUTION - are used with the safety alert symbol.
 - **DANGER** indicates an imminently hazardous situation which, if not avoided, will result in death or serious injury.
 - **WARNING** indicates a potentially hazardous situation which, if not avoided, could result in death or serious injury.
 - **CAUTION** indicates a potentially hazardous situation which, if not avoided, may result in minor or moderate injury.
 - **DANGER or WARNING safety signs** are located near specific hazards. General precautions are listed on **CAUTION safety signs**.
 - Some safety signs do not use any of the designated signal words above after the safety alert symbol are occasionally used on this machine.



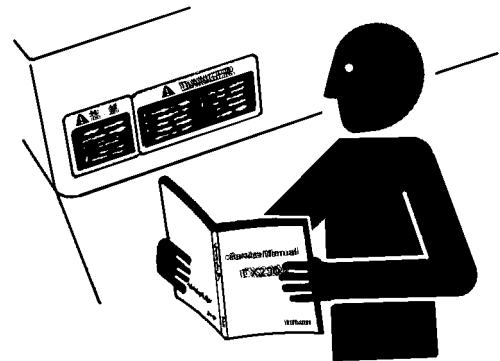
- To avoid confusing machine protection with personal safety messages, a signal word **IMPORTANT** indicates a situation which, if not avoided, could result in damage to the machine.
-  **NOTE**: indicates an additional explanation for an element of information.

SA-1223

SAFETY

Follow Safety Instructions

- Carefully read and follow all safety signs on the machine and all safety messages in this manual.
- Safety signs should be installed, maintained and replaced when necessary.
 - If a safety sign or this manual is damaged or missing, order a replacement from your authorized dealer in the same way you order other replacement parts (be sure to state machine model and serial number when ordering).
- Learn how to operate the machine and its controls correctly and safely.
- Allow only trained, qualified, authorized personnel to operate the machine.
- Keep your machine in proper working condition.
 - Unauthorized modifications of the machine may impair its function and/or safety and affect machine life.
 - Do not modify any machine parts without authorization. Failure to do so may deteriorate the part safety, function, and/or service life. In addition, personal accident, machine trouble, and/or damage to material caused by unauthorized modifications will void Hitachi Warranty Policy.
 - Never attempt to modify inlet and exhaust parts. Avoid giving shocks on the muffler filter by striking elements with other objects or dropping the elements. Failure to do so may affect the exhaust gas purifying device, possibly damaging it or lowering its performance.
 - Do not use attachments and/or optional parts or equipment not authorized by Hitachi. Failure to do so may deteriorate the safety, function, and/or service life of the machine. In addition, personal accident, machine trouble, and/or damage to material caused by using unauthorized attachments and/or optional parts or equipment will void Hitachi Warranty Policy.
- The safety messages in this SAFETY chapter are intended to illustrate basic safety procedures of machines. However it is impossible for these safety messages to cover every hazardous situation you may encounter. If you have any questions, you should first consult your supervisor and/or your authorized dealer before operating or performing maintenance work on the machine.



SA-003

SAFETY

Prepare for Emergencies

- Be prepared if a fire starts or if an accident occurs.
 - Keep a first aid kit and fire extinguisher on hand.
 - Thoroughly read and understand the label attached on the fire extinguisher to use it properly.
 - To ensure that a fire extinguisher can be always used when necessary, check and service the fire extinguisher at the recommended intervals as specified in the fire extinguisher manual.
 - Establish emergency procedure guidelines to cope with fires and accidents.
 - Keep emergency numbers for doctors, ambulance service, hospital, and fire department posted near your telephone.



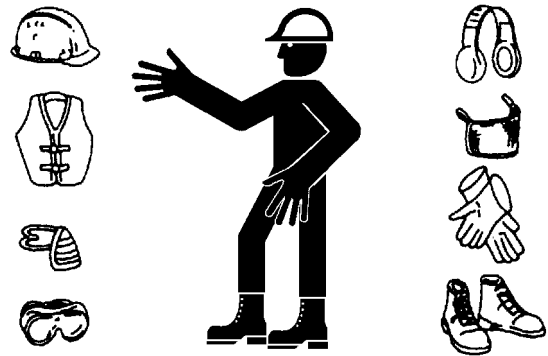
SA-437

Wear Protective Clothing

- Wear close fitting clothing and safety equipment appropriate to the job.

You may need:

- A hard hat
- Safety shoes
- Safety glasses, goggles, or face shield
- Heavy gloves
- Hearing protection
- Reflective clothing
- Wet weather gear
- Respirator or filter mask.



SA-438

Be sure to wear the correct equipment and clothing for the job. Do not take any chances.

- Avoid wearing loose clothing, jewelry, or other items that can catch on control levers or other parts of the machine.
- Operating equipment safely requires the full attention of the operator. Do not wear radio or music headphones while operating the machine.

SAFETY

Protect Against Noise

- Prolonged exposure to loud noise can cause impairment or loss of hearing.
- Wear a suitable hearing protective device such as earmuffs or earplugs to protect against objectionable or uncomfortably loud noises.



SA-434

Inspect Machine

- Inspect your machine carefully each day or shift by walking around it before you start it to avoid personal injury.
- In the walk-around inspection be sure to cover all points described in the "Inspect Machine Daily Before Starting" section in the operator's manual.



SA-435

SAFETY

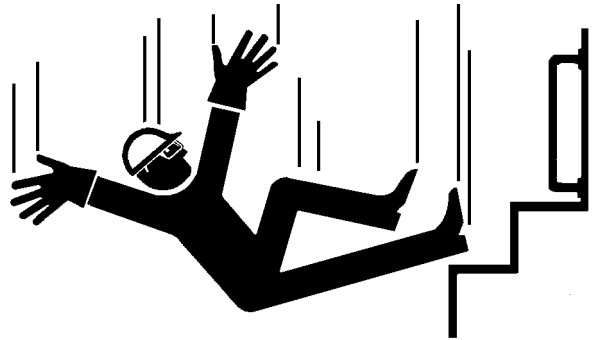
General Precautions for Cab

- Before entering the cab, thoroughly remove all dirt and/or oil from the soles of your work boots. If any controls such as a pedal is operated while with dirt and/or oil on the soles of the operator's work boots, the operator's foot may slip off the pedal, possibly resulting in a personal accident.
- Do not leave parts and/or tools lying around the operator's seat. Store them in their specified locations.
- Avoid storing transparent bottles in the cab. Do not attach any transparent type window decorations on the windowpanes as they may focus sunlight, possibly starting a fire.
- Refrain from listening to the radio, or using music headphones or mobile telephones in the cab while operating the machine.
- Keep all flammable objects and/or explosives away from the machine.
- After using the ashtray, always cover it to extinguish the match and/or tobacco.
- Do not leave cigarette lighters in the cab. When the temperature in the cab increases, the lighter may explode.

SAFETY

Use Handholds and Steps

- Falling is one of the major causes of personal injury.
 - When you get on and off the machine, always face the machine and maintain a three-point contact with the steps and handrails.
 - Do not use any controls as hand-holds.
 - Never jump on or off the machine. Never mount or dismount a moving machine.
 - Be careful of slippery conditions on platforms, steps, and handrails when leaving the machine.
 - Never get on and off the machine with tools in your hands.



SA-439

Adjust the Operator's Seat

- A poorly adjusted seat for either the operator or for the work at hand may quickly fatigue the operator leading to misoperations.
 - The seat should be adjusted whenever changing the operator for the machine.
 - The operator should be able to fully depress the pedals and to correctly operate the control levers with his back against the seat back.
 - If not, move the seat forward or backward, and check again.
 - Adjust the rear view mirror position so that the best rear visibility is obtained from the operator's seat. If the mirror is broken, immediately replace it with a new one.



SA-378

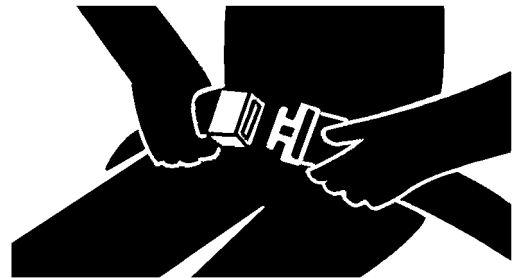
SAFETY

Ensure Safety Before Rising from or Leaving Operator's Seat

- Before rising from the operator's seat to open/close either side window or to adjust the seat position, be sure to first lower the front attachment to the ground and then move the pilot control shut-off lever to the LOCK position. Failure to do so may allow the machine to unexpectedly move when a body part unintentionally comes in contact with a control lever, possibly resulting in serious personal injury or death.
- Before leaving the machine, be sure to first lower the front attachment to the ground and then move the pilot control shut-off lever to the LOCK position. Turn the key switch OFF to stop the engine.
- Before leaving the machine, close all windows, doors, and access covers and lock them up.

Fasten Your Seat Belt

- If the machine should overturn, the operator may become injured and/or thrown from the cab. Additionally the operator may be crushed by the overturning machine, resulting in serious injury or death.
 - Prior to operating the machine, thoroughly examine webbing, buckle and attaching hardware. If any item is damaged or worn, replace the seat belt or component before operating the machine.
 - Be sure to remain seated with the seat belt securely fastened at all times when the machine is in operation to minimize the chance of injury from an accident.
 - We recommend that the seat belt be replaced every three years regardless of its apparent condition.

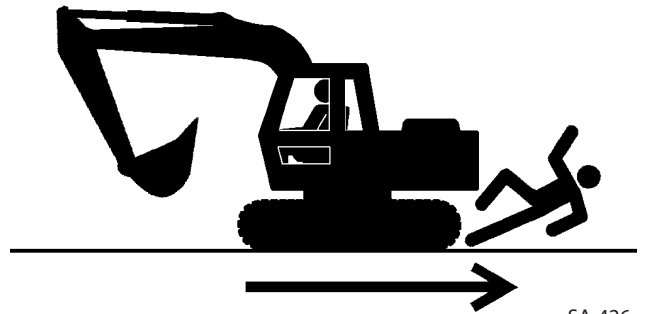


SA-237

SAFETY

Move and Operate Machine Safely

- Bystanders can be run over.
 - Take extra care not to run over bystanders. Confirm the location of bystanders before moving, swinging, or operating the machine.
 - Always keep the travel alarm and horn in working condition (if equipped). It warns people when the machine starts to move.
 - Use a signal person when moving, swinging, or operating the machine in congested areas. Coordinate hand signals before starting the machine.
 - Use appropriate illumination. Check that all lights are operable before operating the machine. If any faulty illumination is present, immediately repair it.
 - Ensure the cab door, windows, doors and covers are securely locked.
 - Check the mirrors and the monitor in the CAB for problems.
If there is, replace the problem part(s) or clean the mirror, camera and the monitor.
Refer to Rear View Monitor section on the cleaning of the camera and the monitor.



SA-426

Operate Only from Operator's Seat

- Inappropriate engine starting procedures may cause the machine to runaway, possibly resulting in serious injury or death.
 - Start the engine only when seated in the operator's seat.
 - NEVER start the engine while standing on the track or on ground.
 - Do not start engine by shorting across starter terminals.
 - Before starting the engine, confirm that all control levers are in neutral.
 - Before starting the engine, confirm the safety around the machine and sound the horn to alert bystanders.



SA-444

SAFETY

Jump Starting

- Battery gas can explode, resulting in serious injury.
 - If the engine must be jump started, be sure to follow the instructions shown in the “OPERATING THE ENGINE” chapter in the operator’s manual.
 - The operator must be in the operator’s seat so that the machine will be under control when the engine starts. Jump starting is a two-person operation.
 - Never use a frozen battery.
 - Failure to follow correct jump starting procedures could result in a battery explosion or a runaway machine.



SA-032

Keep Riders off Machine

- Riders on machine are subject to injury such as being struck by foreign objects and being thrown off the machine.
 - Only the operator should be on the machine. Keep riders off.
 - Riders also obstruct the operator’s view, resulting in the machine being operated in an unsafe manner.



SA-379

SAFETY

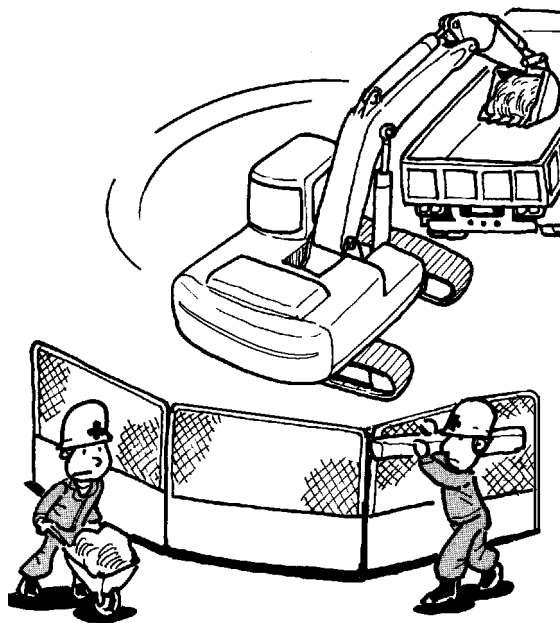
Precautions for Operations

- Investigate the work site before starting operations.
 - Be sure to wear close fitting clothing and safety equipment appropriate for the job, such as a hard hat, etc. when operating the machine.
 - Clear all persons and obstacles from area of operation and machine movement.

Always beware of the surroundings while operating.

When working in a small area surrounded by obstacles, take care not to hit the upperstructure against obstacles.

- When loading onto trucks, bring the bucket over the truck beds from the rear side. Take care not to swing the bucket over the cab or over any person.



M178-05-007

SAFETY

Investigate Job Site Beforehand

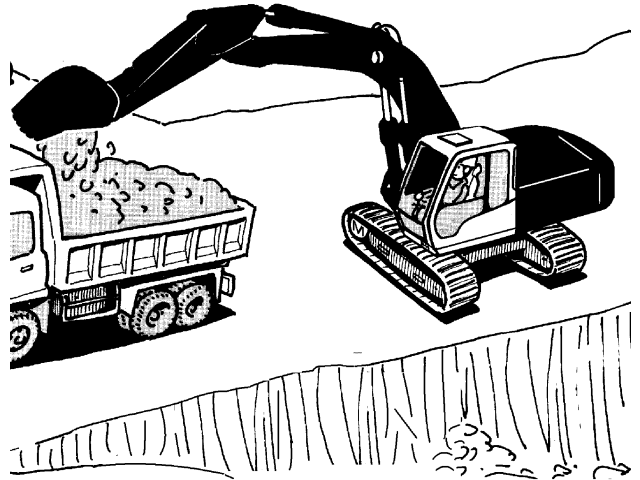
- When working at the edge of an excavation or on a road shoulder, the machine could tip over, possibly resulting in serious injury or death.
 - Investigate the configuration and ground conditions of the job site beforehand to prevent the machine from falling and to prevent the ground, stockpiles or banks from collapsing.
 - Make a work plan. Use machines appropriate to the work and job site.
 - Reinforce ground, edges and road shoulders as necessary. Keep the machine well back from the edges of excavations and road shoulders.
 - When working on an incline or on a road shoulder, employ a signal person as required.
 - Confirm that your machine is equipped with a FOPS cab before working in areas where the possibility of falling stones or debris exist.
 - When the footing is weak, reinforce the ground before starting work.
 - When working on frozen ground, be extremely alert. As ambient temperatures rise, footing becomes loose and slippery.
 - Beware the possibility of fire when operating the machine near flammable objects such as dry grass.



SA-380

SAFETY

- Make sure the worksite has sufficient strength to firmly support the machine.
When working close to an excavation or at road shoulders, operate the machine with the tracks positioned perpendicular to the cliff face with travel motors at the rear, so that the machine can more easily evacuate if the cliff face collapses.
- If working on the bottom of a cliff or a high bank is required, be sure to investigate the area first and confirm that no danger of the cliff or bank collapsing exists. If any possibility of cliff or bank collapsing exists, do not work on the area.
- Soft ground may collapse when operating the machine on it, possibly causing the machine to tip over. When working on soft ground is required, be sure to reinforce the ground first using large pieces of steel plates strong and firm enough to easily support the machine.
- Note that there is always a possibility of machine tipping over when working on rough terrain or on slopes. Prevent machine tipping over from occurring. When operating on rough terrain or on slopes:
 - Reduce the engine speed.
 - Select slow travel speed mode.
 - Operate the machine slowly and be cautious with machine movements.

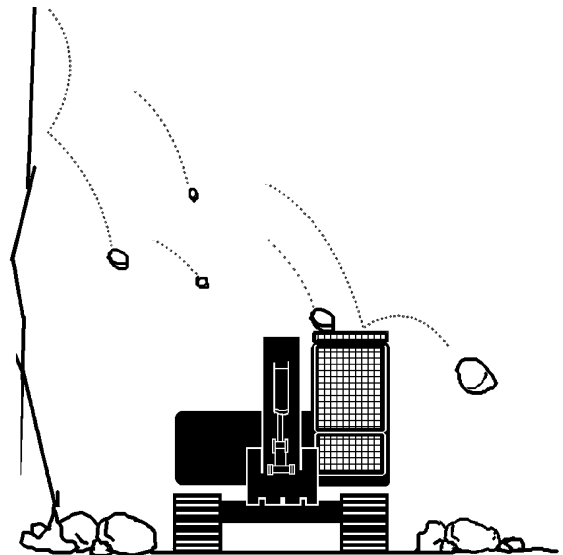


M104-05-016

Install OPG Guard

In case the machine is operated in areas where the possibilities of falling stones or debris exist, equip Hitachi OPG guard. Consult your authorized dealer for installing the OPG guard. The guard can be compliant with ROPS standards depending on the machine specifications.
In order not to impair operator protective structure:
Replace damaged ROPS or OPG guard. Never attempt to repair or modify the guard.

ROPS: Roll Over Protective Structure
OPG: Operator Protective Guard



SA-490

SAFETY

Provide Signals for Jobs Involving Multiple Machines

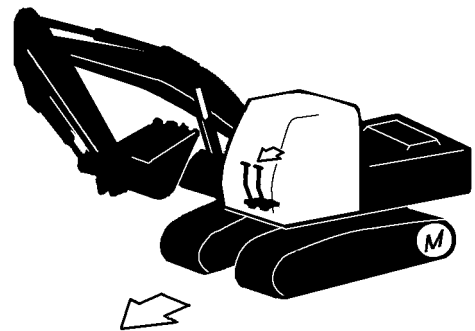
- For jobs involving multiple machines, provide signals commonly known by all personnel involved. Also, appoint a signal person to coordinate the job site. Make sure that all personnel obey the signal person's directions.



SA-481

Confirm Direction of Machine to Be Driven

- Incorrect travel pedal/lever operation may result in serious injury or death.
 - Before driving the machine, confirm the position of the undercarriage in relation to the operator's position. If the travel motors are located in front of the cab, the machine will move in reverse when travel pedals/levers are operated to the front.



SA-491

Thank you so much for reading.
Please click the “Buy Now!”
button below to download the
complete manual.



After you pay.

You can download the most
perfect and complete manual in
the world immediately.

Our support email:

ebooklibonline@outlook.com