

# Operator's Manual

# **ZAXIS**

## **75US-5N**

## **85USB-5N**

## **Hydraulic Excavator**

Serial No.  
ZX75US-5N 015001 and up  
ZX85USB-5N 017001 and up

# INDEX

MACHINE NUMBERS

SAFETY

SAFETY SIGNS

COMPONENTS NAME

GETTING ON/OFF THE MACHINE

OPERATOR'S STATION

BREAK-IN

OPERATING THE ENGINE

DRIVING THE MACHINE

OPERATING THE MACHINE

TRANSPORTING

MAINTENANCE

MAINTENANCE UNDER SPECIAL ENVIRONMENTAL CONDITIONS

STORAGE

TROUBLESHOOTING

SPECIFICATIONS

OTHER ATTACHMENTS AND DEVICES

INDEX

# CONTENTS

<b>MACHINE NUMBERS</b> .....	<b>1</b>
<b>SAFETY</b> .....	<b>S-1</b>
Recognize Safety Information .....	S-1
Understand Signal Words.....	S-1
Follow Safety Instructions.....	S-2
Prepare for Emergencies.....	S-3
Wear Protective Clothing.....	S-3
Protect Against Noise .....	S-4
Inspect Machine .....	S-4
General Precautions for Cab.....	S-5
Use Handholds and Steps .....	S-6
Adjust the Operator's Seat .....	S-6
Ensure Safety Before Rising from or Leaving Operator's Seat .....	S-7
Fasten Your Seat Belt .....	S-7
Move and Operate Machine Safely.....	S-8
Operate Only from Operator's Seat .....	S-8
Jump Starting .....	S-9
Keep Riders off Machine .....	S-9
Precautions for Operations .....	S-10
Investigate Job Site Beforehand .....	S-11
Install OPG Guard .....	S-12
Provide Signals for Jobs Involving Multiple Machines....	S-13
Confirm Direction of Machine to Be Driven.....	S-13
Drive Machine Safely.....	S-14
Avoid Injury from Rollaway Accidents.....	S-16
Avoid Injury from Back-Over and Swing Accidents .....	S-17
Keep Person Clear from Working Area.....	S-18
Never Position Bucket Over Anyone .....	S-18
Avoid Undercutting.....	S-19
Avoid Tipping.....	S-19
Never Undercut a High Bank.....	S-20
Dig with Caution.....	S-20
Operate with Caution .....	S-20
Avoid Power Lines.....	S-21
Precautions for Lightning.....	S-21
Object Handling .....	S-22
Protect Against Flying Debris .....	S-22
Park Machine Safely.....	S-23
Handle Fluids Safely—Avoid Fires.....	S-23
Transport Safely .....	S-24
Practice Safe Maintenance.....	S-25
Warn Others of Service Work .....	S-26
Support Machine Properly.....	S-26
Stay Clear of Moving Parts .....	S-27
Prevent Parts from Flying .....	S-27
Store Attachments Safely .....	S-28
Prevent Burns.....	S-28
Replace Rubber Hoses Periodically.....	S-29
Avoid High-Pressure Fluids .....	S-29
Prevent Fires.....	S-30
Evacuating in Case of Fire.....	S-32
Beware of Exhaust Fumes.....	S-32
Precautions for Welding and Grinding .....	S-33
Avoid Heating Near Pressurized Fluid Lines .....	S-34
Avoid Applying Heat to Lines Containing Flammable Fluids.....	S-34
Precautions for Handling Accumulator and Gas Damper .....	S-34
Remove Paint Before Welding or Heating .....	S-35
Beware of Asbestos and Silicon Dust and Other Contamination .....	S-35
Prevent Battery Explosions .....	S-36
Service Air Conditioning System Safely .....	S-36
Handle Chemical Products Safely.....	S-37
Dispose of Waste Properly.....	S-37
Never Ride Attachment.....	S-38
Notes for Muffler Filter.....	S-38
Precautions for Communication Terminal.....	S-38
Precaution for Communication Terminal Equipment .....	S-39
<b>SAFETY SIGNS</b> .....	<b>S-41</b>
<b>COMPONENTS NAME</b> .....	<b>1-1</b>
Components Name .....	1-1
<b>GETTING ON/OFF THE MACHINE</b> .....	<b>1-2</b>
<b>OPERATOR'S STATION</b> .....	<b>1-3</b>
Muffler Filter .....	1-3
Cab Features.....	1-6
ZX75US-5N .....	1-6
ZX85USB-5N .....	1-7
Multi Function Monitor .....	1-8
Default Setting .....	1-9
Basic Screen.....	1-10
How to Use Screens.....	1-11
Displaying Basic Screen .....	1-11
Hour Meter .....	1-14
Clock.....	1-14
Fuel Gauge .....	1-14
Coolant Temperature Gauge .....	1-15
Operating Status Icon Display.....	1-15
Security Functions (Optional) .....	1-16
Input Password .....	1-16
Extending Password Duration Time .....	1-17
Alarm Occurrence Screen.....	1-18
Remedy .....	1-20
Muffler Filter .....	1-24
Muffler Filter Condition Display.....	1-24
Muffler Filter Manual Regeneration Request.....	1-25
Manual Regeneration Procedure .....	1-26
Main Menu.....	1-27
Air Conditioner.....	1-28
Circulation Air Mode.....	1-28
Air Conditioner ON/OFF .....	1-28
Radio .....	1-29
Mail (Optional).....	1-30
Setting Menu .....	1-32
Date and Time.....	1-33
Time Adjustment .....	1-33
Date Adjustment.....	1-35
Display Mode Setting.....	1-37

## CONTENTS

Auto Shut-Down .....	1-39	Fuse Box .....	1-93
Auto Shut-Down: ON/OFF .....	1-39	Fuse Box A .....	1-93
Acting Time Setting.....	1-40	Fuse Box B.....	1-93
Muffler Filter Regeneration Inhibited .....	1-41	Auto Air Conditioner .....	1-94
Setting Procedure .....	1-41	Features .....	1-94
Password Change (Optional).....	1-43	Components Name.....	1-95
Sub Meter .....	1-47	Controller Part Name and Function .....	1-96
Rear View Camera Monitor .....	1-49	Cab Heater Operation .....	1-98
Rear View Camera ON/OFF .....	1-49	Cooling Operation.....	1-99
Brightness Adjustment.....	1-51	Defroster Operation.....	1-100
Language Settings .....	1-53	Cool Head/Warm Foot Operation .....	1-100
Lists of Display Language.....	1-55	Tips for Optimal Air Conditioner Usage .....	1-101
Unit Selection .....	1-56	For Rapid Cooling .....	1-101
Display Item Selection (Rear View Camera OFF) .....	1-58	When Windows Become Clouded .....	1-101
Main Menu Sequence Change .....	1-60	Off-Season Air Conditioner Maintenance .....	1-101
Information Menu .....	1-62	AM/FM Radio Operation .....	1-102
Operation .....	1-63	Controls on the Radio.....	1-102
Fuel Consumption .....	1-63	Tuning Procedure .....	1-102
Attachment Operation.....	1-65	Station Presetting Procedure.....	1-103
Travel Operation.....	1-67	Station Auto-Presetting Procedure .....	1-104
Actual operation .....	1-69	TONE Control .....	1-105
Maintenance .....	1-71	Audio Input (Optional) .....	1-106
Maintenance Notice.....	1-71	Cab Door Release Lever .....	1-107
Time Remains and Maintenance Interval.....	1-73	Opening/Closing and Removing Cab Inside Window ..	1-108
Troubleshooting .....	1-75	Opening Upper Front Window .....	1-109
Monitoring .....	1-77	Removing and Storing Lower Front Window .....	1-111
Switch Panel.....	1-79	Opening Side Windows .....	1-112
Return to Previous Screen (Monitor) .....	1-80	Opening/Closing Overhead Window	
Return to Basic Screen (Monitor) .....	1-80	(Clear Hatch: If Equipped).....	1-113
Select/Confirm Switch (Monitor).....	1-80	Emergency Exit .....	1-114
Temperature Control Switch/Mode Switch		Adjusting Operator's Seat .....	1-116
(Air Conditioner) .....	1-80	Seat Height and Angle Adjustment .....	1-116
AUTO/OFF Switch/Fan Switch (Air Conditioner).....	1-80	Console and Seat Fore-aft Adjustment.....	1-116
AM/FM Selector/Tuning Switch (Radio).....	1-81	Seat Fore-Aft Adjustment .....	1-116
Power Switch/Volume Control Knob (Radio).....	1-81	Suspension Adjustment .....	1-116
Engine Control Dial .....	1-81	Backrest Adjustment .....	1-117
Auto-Idle Switch.....	1-82	Armrest Adjustment .....	1-117
Travel Mode Switch .....	1-82	Adjusting Operator's Seat (Optional) .....	1-118
Power Mode Switch .....	1-83	Adjusting Seat Height .....	1-118
Work Light Switch.....	1-83	Console and Seat Fore-aft Adjustment.....	1-118
Wiper/Washer Switch .....	1-84	Seat Fore-Aft Adjustment .....	1-118
Overhead Window Wiper and Washer Switch		Suspension Adjustment .....	1-119
(ZX75US-5N) (Optional) .....	1-85	Fore-Aft Position Adjustment of Seat Surface.....	1-119
Numeric Keypad.....	1-85	Angle Adjustment of Seat Surface.....	1-119
Switch Panel (for Optional Equipment).....	1-86	Backrest Adjustment .....	1-119
Travel Alarm Deactivation Switch (Optional).....	1-87	Armrest Adjustment .....	1-119
Seat Heater Switch .....	1-87	Console Height Adjustment.....	1-120
Electrical Control Main Switch (Optional) .....	1-87	Adjusting Procedures .....	1-120
Key Switch.....	1-88	Installation and Adjustment of Mirrors .....	1-121
Horn Switch .....	1-88	Seat Belt .....	1-122
Cigar Lighter.....	1-89	<b>BREAK-IN .....</b>	<b>2-1</b>
Using Cigar Lighter .....	1-89	Breaking in New Machine .....	2-1
Using Cigar Lighter Port as External Power Source....	1-89	<b>OPERATING THE ENGINE .....</b>	<b>3-1</b>
Cab Light Switch.....	1-90	Inspect Machine Daily Before Starting .....	3-1
Pilot Control Shut-Off Lever .....	1-91	Before Starting Engine .....	3-2
Engine Stop Switch.....	1-92		

# CONTENTS

Starting the Engine.....	3-3	Kind of Oils.....	7-14
Check Instruments After Starting Engine.....	3-7	A. Greasing.....	7-17
Using Booster Batteries.....	3-8	Front Joint Pins.....	7-17
Stopping the Engine.....	3-10	Swing Bearing.....	7-19
<b>DRIVING THE MACHINE.....</b>	<b>4-1</b>	Swing Internal Gear.....	7-20
Travel Levers and Pedals.....	4-1	Blade Joint Pins.....	7-21
Travel Mode Switch.....	4-3	B. Engine.....	7-22
Travel Alarm (Optional).....	4-4	Engine Oil Level.....	7-22
Traveling.....	4-5	Change Engine Oil.....	7-23
Traveling on Soft Ground.....	4-6	Replace Engine Oil Filter.....	7-23
Raise One Track Using Boom and Arm.....	4-7	C. Transmission.....	7-25
Towing Machine.....	4-8	Travel Reduction Gear.....	7-25
Operating in Water or Mud.....	4-9	D. Hydraulic System.....	7-27
Precautions for Traveling on Slopes.....	4-10	Inspection and Maintenance of Hydraulic Equipment... 7-27	
Parking the Machine on Slopes.....	4-11	Change Hydraulic Oil and Replace Full-Flow Filter	
Parking the Machine.....	4-11	Element.....	7-29
<b>OPERATING THE MACHINE.....</b>	<b>5-1</b>	Check Hydraulic Oil Level.....	7-31
Control Lever (ISO Pattern).....	5-1	Drain Hydraulic Tank Sump.....	7-32
Pilot Control Shut-Off Lever.....	5-2	Change Hydraulic Oil.....	7-33
Blade Lever.....	5-3	Suction Filter Cleaning.....	7-33
Warming Up Operation.....	5-4	Air Bleeding Procedures.....	7-35
Engine Speed Control.....	5-5	Replace Full-Flow Filter.....	7-36
Auto-Idle.....	5-6	Replace Pilot Oil Filter.....	7-37
Auto Shut-Down.....	5-8	Replace Swing Drain Filter.....	7-38
Muffler Filter Manual Regeneration.....	5-11	Replace Air Breather Element.....	7-39
Power Mode.....	5-13	Check Hoses and Lines.....	7-40
Operating Backhoe.....	5-14	E. Fuel System.....	7-44
Shovel.....	5-15	Check Fuel Level.....	7-44
Grading Operation.....	5-16	Drain Fuel Tank Sump.....	7-46
Avoid Driving Bucket Teeth into Ground.....	5-17	Drain Fuel Pre-Filter.....	7-47
Avoid Striking With Bucket.....	5-17	Air Bleeding Procedures.....	7-48
Avoid Abusive Operation.....	5-18	Replace Fuel Main Filter Element.....	7-49
Avoid Side Load the Bucket.....	5-18	Replace Fuel Pre-Filter Element.....	7-50
Avoid Hitting Blade with Front-End Attachment.....	5-19	Check Fuel Hoses.....	7-51
Do Not Use Wide Track Shoes on Rough Ground.....	5-20	F. Air Cleaner.....	7-52
Shackle Hole Usage.....	5-21	Clean and Replace Air Cleaner Outer Element.....	7-52
Lifting.....	5-22	Replace Air Cleaner Inner Elements (Optional).....	7-52
Emergency Boom Lowering Procedure.....	5-23	G. Cooling System.....	7-54
Precautions for After Operations.....	5-26	Check Coolant Level.....	7-55
<b>TRANSPORTING.....</b>	<b>6-1</b>	Check and Adjust Fan Belt Tension.....	7-56
Transporting by Road.....	6-1	Change Coolant.....	7-57
Loading/Unloading on a Trailer.....	6-2	Clean Radiator and Oil Cooler Core.....	7-58
Fastening Machine for Transporting.....	6-5	Clean Oil Cooler and Radiator Front Screen.....	7-58
Unloading.....	6-6	Clean Air Conditioner Condenser.....	7-58
Lifting Machine.....	6-7	Clean Fuel Cooler Front Screen.....	7-58
<b>MAINTENANCE.....</b>	<b>7-1</b>	H. Electrical System.....	7-59
Correct Maintenance and Inspection Procedures.....	7-1	Batteries.....	7-59
Check the Hour Meter Regularly.....	7-3	Electrolyte Level Check.....	7-61
Layout.....	7-4	Check Electrolyte Specific Gravity.....	7-62
Maintenance Guide Table.....	7-5	Replace Batteries.....	7-63
Preparations for Inspection and Maintenance.....	7-7	Replacing Fuses.....	7-64
Hood and Access Covers.....	7-8	I. Miscellaneous.....	7-66
Maintenance Guide.....	7-9	Check and Replace Bucket Teeth.....	7-66
Periodic Replacement of Parts.....	7-13	Change Bucket.....	7-68
		Convert Bucket Connection Into Face Shovel.....	7-69
		Adjust Bucket Linkage.....	7-70

# CONTENTS

---

Remove Travel Levers .....	7-71	Precaution for Arm Roll-In/Bucket Roll-In Combined Operation.....	13-18
Check and Replace Seat Belt.....	7-71	Control Lever (HITACHI).....	13-19
Check Windshield Fluid Level .....	7-72	<b>INDEX.....</b>	<b>14-1</b>
Check Track Sag .....	7-73		
Clean and Replace Air Conditioner Filter .....	7-76		
Check Air Conditioner .....	7-79		
Clean Cab Floor.....	7-81		
Check, Clean and Function Check Injector.....	7-82		
Inspect and Adjust Valve Clearance .....	7-82		
Measure Engine Compression Pressure.....	7-82		
Check Starter and Alternator .....	7-82		
Check, Clean and Function Check EGR Valve.....	7-82		
Check Gas Damper .....	7-82		
Check Crankcase Breather .....	7-83		
Clean EGR Cooler .....	7-83		
Check Intake Throttle Valve.....	7-83		
Check Radiator Cap .....	7-83		
Tightening and Retightening Torque of Nuts and Bolts.....	7-83		
J. Muffler Filter .....	7-93		
Check and Clean Filter Element of Muffler Filter .....	7-93		
Check and Clean Muffler Filter .....	7-93		
<b>MAINTENANCE UNDER SPECIAL ENVIRONMENTAL CONDITIONS .....</b>	<b>9-1</b>		
Maintenance Under Special Environmental Conditions .....	9-1		
<b>STORAGE .....</b>	<b>10-1</b>		
Storing the Machine.....	10-1		
<b>TROUBLESHOOTING.....</b>	<b>11-1</b>		
Troubleshooting .....	11-1		
<b>SPECIFICATIONS .....</b>	<b>12-1</b>		
Specifications ZX75US-5N.....	12-1		
Working Ranges ZX75US-5N.....	12-2		
Shoe Types and Applications ZX75US-5N .....	12-3		
Specifications ZX85USB-5N .....	12-4		
Working Ranges ZX85USB-5N .....	12-5		
Shoe Types and Applications ZX85USB-5N .....	12-6		
<b>OTHER ATTACHMENTS AND DEVICES .....</b>	<b>13-1</b>		
Hydraulic Breaker, Hydraulic Crusher and Quick Coupler.....	13-1		
Pipings for Breaker and Crusher.....	13-2		
Secondary Relief Pressure Adjustment .....	13-3		
Attachment Pedal (Hydraulic Breaker) (Optional) .....	13-4		
Precautions for Breaker Operation.....	13-5		
Change Hydraulic Oil and Replace Full-Flow Filter Element .....	13-9		
Attachment Pedal (Hydraulic Crusher) Std. Model (Optional).....	13-10		
Precautions for Crusher Operation .....	13-11		
Attachment.....	13-14		
Attachment Connection Parts .....	13-17		
Precaution for Arm Roll-In/Bucket Roll-In Combined Operation.....	13-18		

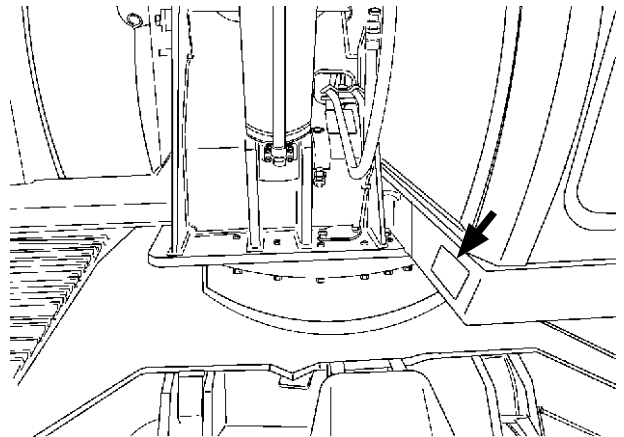
---

# MACHINE NUMBERS

The manufacturing Nos. explained in this group is the individual number (serial No.) given to each machine and hydraulic components. These numbers are requested when inquiring any information on the machine and/or components. Fill these serial Nos. in the blank spaces in this group to immediately make them available upon request.

## Machine

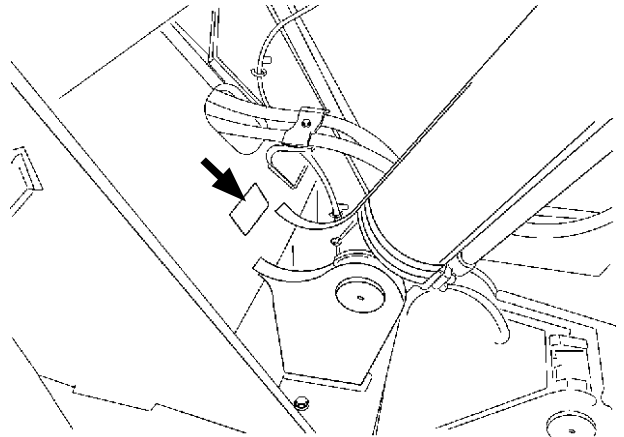
TYPE : \_\_\_\_\_  
 PRODUCT IDENTIFICATION NUMBER : \_\_\_\_\_




M1CD-01-002

## Product Identification Number

PRODUCT IDENTIFICATION NUMBER : \_\_\_\_\_

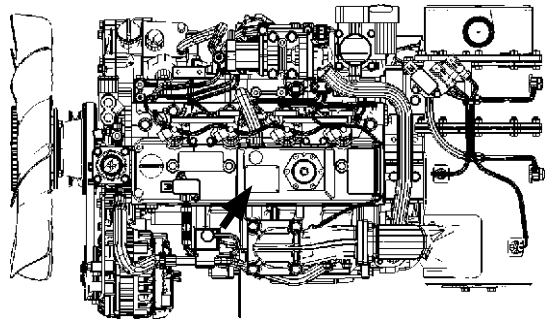


M1CD-01-003

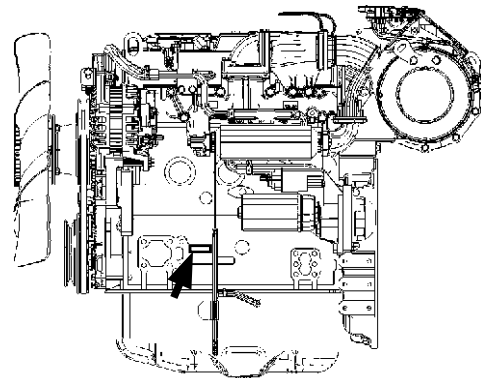
 **NOTE:** \_\_\_\_\_ Marks to indicate the start and end of the PIN  
 \*HCMDCAA0000100001\*  
 \_\_\_\_\_  
 PRODUCT IDENTIFICATION NUMBER (PIN)

## Engine

TYPE : \_\_\_\_\_  
 MFG. NO. : \_\_\_\_\_



MDEC-00-001



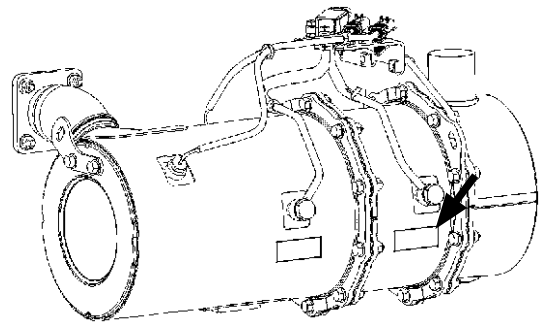
MDEC-00-002

## MACHINE NUMBERS

### Muffler Filter

TYPE : \_\_\_\_\_

MFG. NO. : \_\_\_\_\_

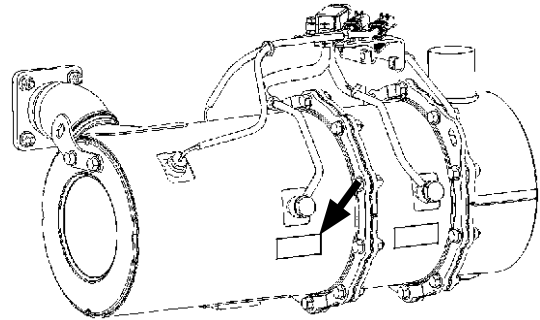


MADG-00-017

### DOC (Diesel Oxidation Catalyst)

TYPE : \_\_\_\_\_

MFG. NO. : \_\_\_\_\_

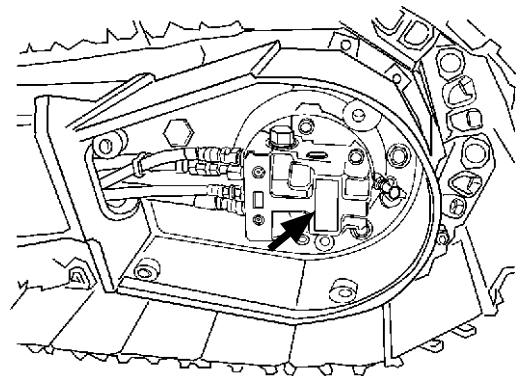


MADG-00-017

### Travel Motor

TYPE : \_\_\_\_\_

MFG. NO. : \_\_\_\_\_

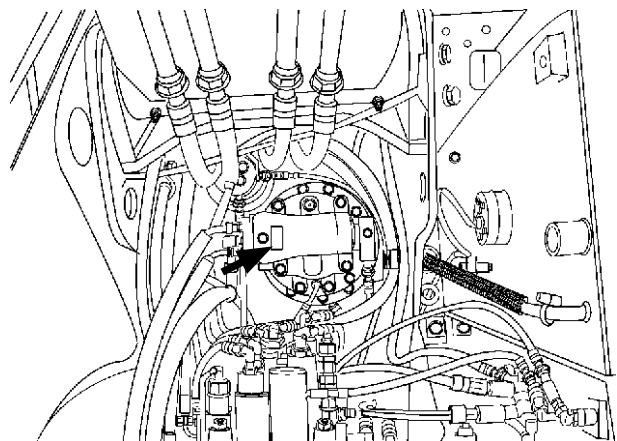


M1CD-01-005

### Swing Motor

TYPE : \_\_\_\_\_

MFG. NO. : \_\_\_\_\_



M1CD-07-004



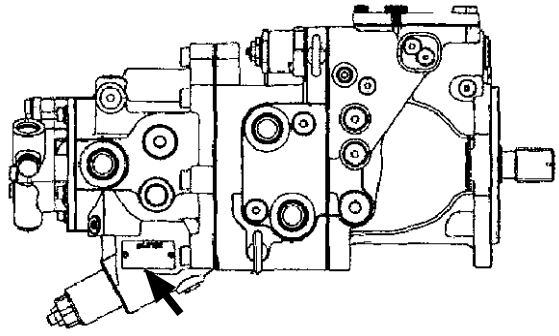
# MACHINE NUMBERS

---

## Hydraulic Pump

TYPE : \_\_\_\_\_

MFG. NO. : \_\_\_\_\_



M1P1-01-002

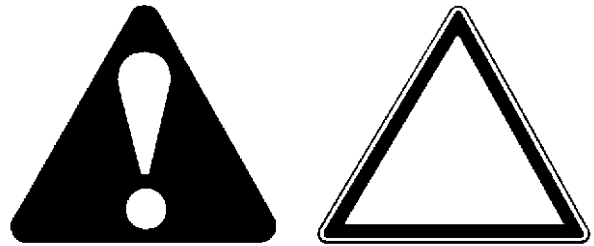


## SAFETY

---

### Recognize Safety Information

- These are the **SAFETY ALERT SYMBOLS**.
  - When you see these symbols on your machine or in this manual, be alert to the potential for personal injury.
  - Follow recommended precautions and safe operating practices.



SA-688


### Understand Signal Words

- On machine safety signs, signal words designating the degree or level of hazard - DANGER, WARNING, or CAUTION - are used with the safety alert symbol.
  - **DANGER** indicates an imminently hazardous situation which, if not avoided, will result in death or serious injury.
  - **WARNING** indicates a potentially hazardous situation which, if not avoided, could result in death or serious injury.
  - **CAUTION** indicates a potentially hazardous situation which, if not avoided, may result in minor or moderate injury.
  - **DANGER or WARNING safety signs** are located near specific hazards. General precautions are listed on **CAUTION safety signs**.
  - Some safety signs do not use any of the designated signal words above after the safety alert symbol are occasionally used on this machine.



**IMPORTANT**



- To avoid confusing machine protection with personal safety messages, a signal word **IMPORTANT** indicates a situation which, if not avoided, could result in damage to the machine.
-  **NOTE**: indicates an additional explanation for an element of information.

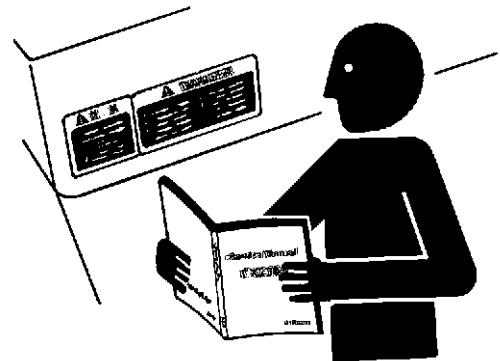
SA-1223

## SAFETY

---

### Follow Safety Instructions

- Carefully read and follow all safety signs on the machine and all safety messages in this manual.
- Safety signs should be installed, maintained and replaced when necessary.
  - If a safety sign or this manual is damaged or missing, order a replacement from your authorized dealer in the same way you order other replacement parts (be sure to state machine model and serial number when ordering).
- Learn how to operate the machine and its controls correctly and safely.
- Allow only trained, qualified, authorized personnel to operate the machine.
- Keep your machine in proper working condition.
  - Unauthorized modifications of the machine may impair its function and/or safety and affect machine life.
  - Do not modify any machine parts without authorization. Failure to do so may deteriorate the part safety, function, and/or service life. In addition, personal accident, machine trouble, and/or damage to material caused by unauthorized modifications will void Hitachi Warranty Policy.
  - Never attempt to modify or disassemble the inlet/exhaust parts and the muffler filter. Avoid giving shocks on the muffler filter by striking elements with other objects or dropping the elements. Failure to do so may affect the exhaust gas purifying device, possibly damaging it or lowering its performance.
  - Do not use attachments and/or optional parts or equipment not authorized by Hitachi. Failure to do so may deteriorate the safety, function, and/or service life of the machine. In addition, personal accident, machine trouble, and/or damage to material caused by using unauthorized attachments and/or optional parts or equipment will void Hitachi Warranty Policy.
- The safety messages in this SAFETY chapter are intended to illustrate basic safety procedures of machines. However it is impossible for these safety messages to cover every hazardous situation you may encounter. If you have any questions, you should first consult your supervisor and/or your authorized dealer before operating or performing maintenance work on the machine.



SA-003

## SAFETY

---

### Prepare for Emergencies

- Be prepared if a fire starts or if an accident occurs.
  - Keep a first aid kit and fire extinguisher on hand.
  - Thoroughly read and understand the label attached on the fire extinguisher to use it properly.
  - To ensure that a fire extinguisher can be always used when necessary, check and service the fire extinguisher at the recommended intervals as specified in the fire extinguisher manual.
  - Establish emergency procedure guidelines to cope with fires and accidents.
  - Keep emergency numbers for doctors, ambulance service, hospital, and fire department posted near your telephone.



SA-437

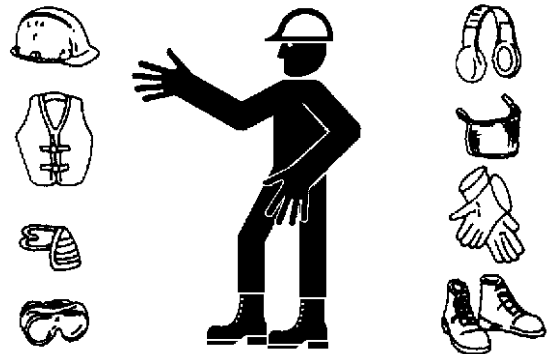
---

### Wear Protective Clothing

- Wear close fitting clothing and safety equipment appropriate to the job.

You may need:

- A hard hat
- Safety shoes
- Safety glasses, goggles, or face shield
- Heavy gloves
- Hearing protection
- Reflective clothing
- Wet weather gear
- Respirator or filter mask.



SA-438

Be sure to wear the correct equipment and clothing for the job. Do not take any chances.

- Avoid wearing loose clothing, jewelry, or other items that can catch on control levers or other parts of the machine.
- Operating equipment safely requires the full attention of the operator. Do not wear radio or music headphones while operating the machine.

## SAFETY

---

### Protect Against Noise

- Prolonged exposure to loud noise can cause impairment or loss of hearing.
- Wear a suitable hearing protective device such as earmuffs or earplugs to protect against objectionable or uncomfortably loud noises.



SA-434

---

### Inspect Machine

- Inspect your machine carefully each day or shift by walking around it before you start it to avoid personal injury.
- In the walk-around inspection be sure to cover all points described in the "Inspect Machine Daily Before Starting" section in the operator's manual.



SA-435

## SAFETY

---

### General Precautions for Cab

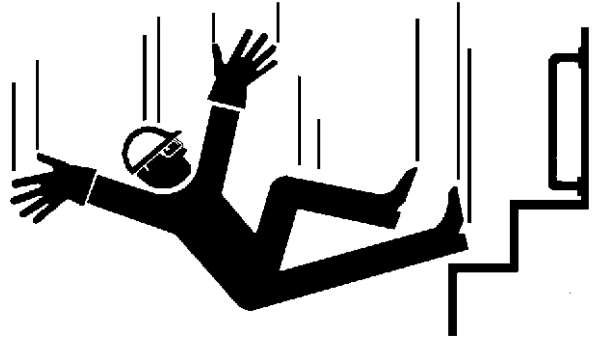
- Before entering the cab, thoroughly remove all dirt and/or oil such as mud, grease, soil or stones that may mess up the cab from the soles of your work boots. If any controls such as a pedal is operated while with dirt and/or oil on the soles of the operator's work boots, the operator's foot may slip off the pedal, possibly resulting in a personal accident.
- Do not mess up around the operator's seat with parts, tools, soil, stones, obstacles that may fold up or turn over, cans or lunch box. The levers or pedals become inoperable if obstacle jams in operation stroke of the travel levers/pedals, pilot control shut-off lever or control levers, which may result in serious injury or death.
- Avoid storing transparent bottles in the cab. Do not attach any transparent type window decorations on the windowpanes as they may focus sunlight, possibly starting a fire.
- Refrain from listening to the radio, or using music headphones or mobile telephones in the cab while operating the machine.
- Keep all flammable objects and/or explosives away from the machine.
- After using the ashtray, always cover it to extinguish the match and/or tobacco.
- Do not leave cigarette lighters in the cab. When the temperature in the cab increases, the lighter may explode.
- Use proper floor mat dedicated to the machine. If another floor mat is used, it may be displaced and contact with the travel pedals during operation, resulting in serious injury or death.

## SAFETY

---

### Use Handholds and Steps

- Falling is one of the major causes of personal injury.
  - When you get on and off the machine, always face the machine and maintain a three-point contact with the steps and handrails.
  - Do not use any controls as hand-holds.
  - Never jump on or off the machine. Never mount or dismount a moving machine.
  - Be careful of slippery conditions on platforms, steps, and handrails when leaving the machine.
  - Never get on and off the machine with tools in your hands.



SA-439

---

### Adjust the Operator's Seat

- A poorly adjusted seat for either the operator or for the work at hand may quickly fatigue the operator leading to misoperations.
  - The seat should be adjusted whenever changing the operator for the machine.
  - The operator should be able to fully depress the pedals and to correctly operate the control levers with his back against the seat back.
  - If not, move the seat forward or backward, and check again.
  - Adjust the rear view mirror position so that the best rear visibility is obtained from the operator's seat. If the mirror is broken, immediately replace it with a new one.



SA-378



## SAFETY

---

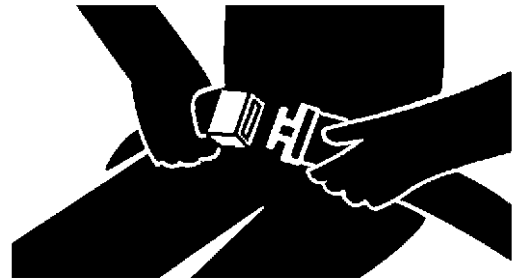
### Ensure Safety Before Rising from or Leaving Operator's Seat

- Before rising from the operator's seat to open/close either side window or to adjust the seat position, be sure to first lower the front attachment to the ground and then move the pilot control shut-off lever to the LOCK position. Failure to do so may allow the machine to unexpectedly move when a body part unintentionally comes in contact with a control lever and/or pedal, possibly resulting in serious personal injury or death.
- Before leaving the machine, be sure to first lower the front attachment to the ground and then move the pilot control shut-off lever to the LOCK position. Turn the key switch OFF to stop the engine.
- Before leaving the machine, close all windows, doors, and access covers and lock them up.

---

### Fasten Your Seat Belt

- If the machine should overturn, the operator may become injured and/or thrown from the cab. Additionally the operator may be crushed by the overturning machine, resulting in serious injury or death.
  - Prior to operating the machine, thoroughly examine webbing, buckle and attaching hardware. If any item is damaged or worn, replace the seat belt or component before operating the machine.
  - Be sure to remain seated with the seat belt securely fastened at all times when the machine is in operation to minimize the chance of injury from an accident.
  - We recommend that the seat belt be replaced every three years regardless of its apparent condition.



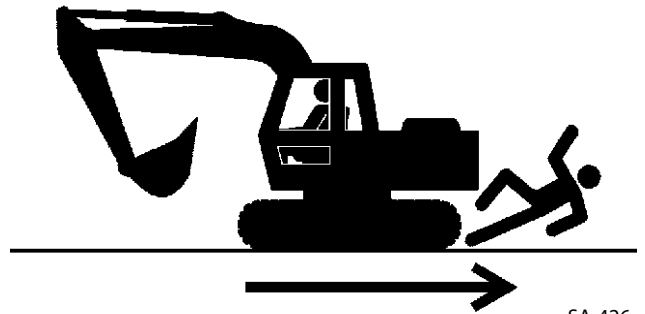
SA-237

## SAFETY

---

### Move and Operate Machine Safely

- Bystanders can be run over.
  - Take extra care not to run over bystanders. Confirm the location of bystanders before moving, swinging, or operating the machine.
  - Always keep the travel alarm and horn in working condition (if equipped). It warns people when the machine starts to move.
  - Use a signal person when moving, swinging, or operating the machine in congested areas. Coordinate hand signals before starting the machine.
  - Use appropriate illumination. Check that all lights are operable before operating the machine. If any faulty illumination is present, immediately repair it.
  - Ensure the cab door, windows, doors and covers are securely locked.
  - Check the mirrors and the monitor in the CAB for problems.  
If there is, replace the problem part(s) or clean the mirror, camera and the monitor.  
Refer to Rear View Monitor section on the cleaning of the camera and the monitor.



SA-426

---

### Operate Only from Operator's Seat

- Inappropriate engine starting procedures may cause the machine to runaway, possibly resulting in serious injury or death.
  - Start the engine only when seated in the operator's seat.
  - NEVER start the engine while standing on the track or on ground.
  - Do not start engine by shorting across starter terminals.
  - Before starting the engine, confirm that all control levers are in neutral.
  - Before starting the engine, confirm the safety around the machine and sound the horn to alert bystanders.



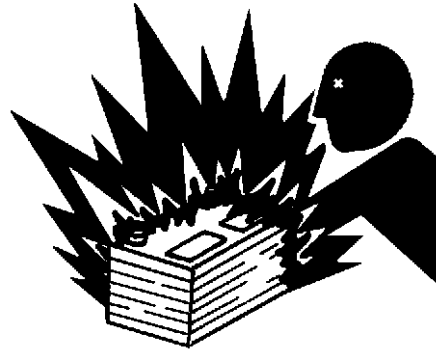
SA-444

## SAFETY

---

### Jump Starting

- Battery gas can explode, resulting in serious injury.
  - If the engine must be jump started, be sure to follow the instructions shown in the “OPERATING THE ENGINE” chapter in the operator’s manual.
  - The operator must be in the operator’s seat so that the machine will be under control when the engine starts. Jump starting is a two-person operation.
  - Never use a frozen battery.
  - Failure to follow correct jump starting procedures could result in a battery explosion or a runaway machine.



SA-032

---

### Keep Riders off Machine

- Riders on machine are subject to injury such as being struck by foreign objects and being thrown off the machine.
  - Only the operator should be on the machine. Keep riders off.
  - Riders also obstruct the operator’s view, resulting in the machine being operated in an unsafe manner.



SA-379

## SAFETY

---

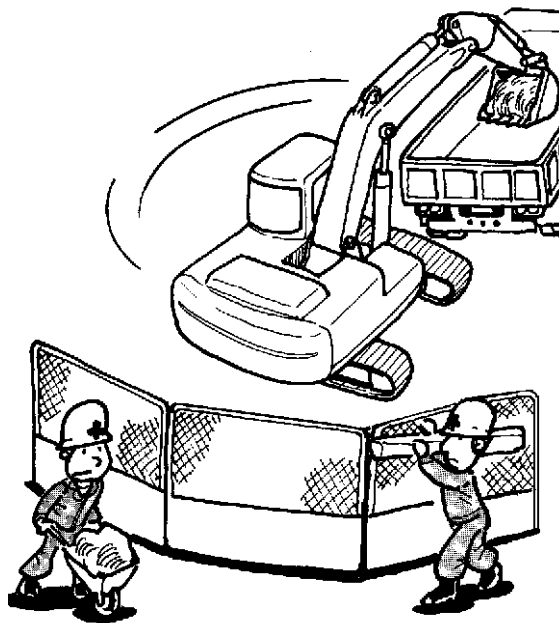
### Precautions for Operations

- Investigate the work site before starting operations.
  - Be sure to wear close fitting clothing and safety equipment appropriate for the job, such as a hard hat, etc. when operating the machine.
  - Clear all persons and obstacles from area of operation and machine movement.

Always beware of the surroundings while operating.

When working in a small area surrounded by obstacles, take care not to hit the upperstructure against obstacles.

- When loading onto trucks, bring the bucket over the truck beds from the rear side. Take care not to swing the bucket over the cab or over any person.



M178-05-007

Thank you so much for reading.  
Please click the “Buy Now!”  
button below to download the  
complete manual.



After you pay.

You can download the most  
perfect and complete manual in  
the world immediately.

Our support email:

[ebooklibonline@outlook.com](mailto:ebooklibonline@outlook.com)