

編 番  
PART NO.  
P10K-EI-4

# **PARTS CATALOG**

## **パーツカタログ**

# **EX60-2**

**EQUIPMENT COMPONENTS PARTS**

**機器インナーパーツ**

適用号機 30001~  
Serial No.

# **HITACHI**

## FOREWORD

- ◎ This parts catalog shows the precision parts of EX60-2 Hydraulic Excavator. The numerical parts No. index is provided at the end of this parts catalog. In the parts index, a part No. with "\*" mark shows a newly added part on the parts catalog.
- ◎ This parts catalog contains the most recent information available at the time of printing, and the contents of the list are based on information in effect at that time and are subject to change without notice.
- ◎ The references in the parts catalog of "LEFT", "RIGHT", "FRONT" and "REAR" are identified as follows.  
The driver's seat is positioned "LEFT" side, and the opposite side is "RIGHT".  
The front-end attachments is at the "FRONT". The counterweight is attached at the "REAR".  
For the undercarriage, the travel motor is at the "REAR", and the opposite is "FRONT".

### 1. HOW TO ORDER PARTS

When ordering parts, Please specify the following items as shown in the following example.

	(EXAMPLE)		
(1) Model of Machine	(EX60-2)	}	Shown on NAME-PLATE provided on MAIN FRAME on the lower right side of CAB
(2) Machine Serial No.	(10K-30001)		
(3) Part No.	(A810165)	}	Ordering Parts
(4) Part Name	(O-RING)		
(5) Q'ty	(2)		Ordering Q'ty
(6) Purchaser's Name and Address			

### 2. HOW TO USE THIS PARTS CATALOG

- ITEM           Item No. shows the reference No. on the machine illustration.
- PART NO.       Part No. consists of a letter of the alphabet and numerals, or numerals only.
- PART NAME      Components of an assembly part are shown with "." marks and are shown on the line, or lines, below the assembly part. Also, if the component with "." mark consists of further components part, these further components are shown by the marks "...".

- Q'TY            Q'ty shows the quantity used for a particular single hydraulic unit, however quantity of components shows the quantity for one assembly part.
- SERVICE CODE    Abbreviations in the column of service code have their own meaning as shown below.
- W: The part with this abbreviation shows that the part requires some work on it before installing in the machine.
- D: The part with this abbreviation is a component of an assembly and is not available independently. The assembly part containing this part should be ordered.
- K: This means that the part is contained in the service parts kit.
- R: The part with this abbreviation shows that the quantity of the part is changed depending upon the machine, such as an adjusting shim etcetera.
- S: This part is specially provided as a service part, which was not provided in the machine before from shipping the factory.
- OP: Optional parts
- OS: Over-sized parts
- US: Under-sized parts
- (NOTE: Part with abbreviation "OS" or "US" is described on the line below the standard-sized part.)
- #: The part with this mark is newly added on that page of the equipment.
- SERIAL No.        Applicable machine serial No. for the part is shown in this column. Further, above this column, the applicable serial No. is shown for all parts described on that page.
- Take this serial No. if the part is not mentioned its own applicable serial No. Take the serial No. which includes both of for the part and for all parts described on the page if the part is mentioned its own applicable serial No. If the abbreviation "D" is described as headed letter instead of the serial No. it means the produced date of the machine in which the parts are used. (EXAMPLE: D94/01-.....produced on January 1994 and after)
- If the abbreviation "H" is described as headed letter, it means the serial No. of equipment such as PUMP, MOTOR, CONTROL VALVE and etcetera.
- If the abbreviation "F" is described as headed letter, it means the Front No. of front-end attachments such as BUCKET, BOOM, ARM and etcetera.
- ICA                ICA shows the interchangeability between the original and the improved parts. Abbreviations used in this column are as follows.
- I: Part No. in the column of "Replaceable part" can be used instead of this part but not vice versa.
- P: This must not be used for the machine. The part No. in the column "Replaceable part" should be used instead.
- T: Parts Nos. those in the column of "Replaceable part" can be used as an assembly instead of this part.
- Y: This part and the part in the column of "Replaceable part" are interchangeable with each other.

•REPLACEABLE PART

Interchangeable parts Nos. and their required quantity are shown in this column.

NOTE: If interchangeable improved parts are provided for the parts which you may order, the improved parts classified as "I", "P", "T" or "Y" may be supplied.

目 次  
CONTENTS

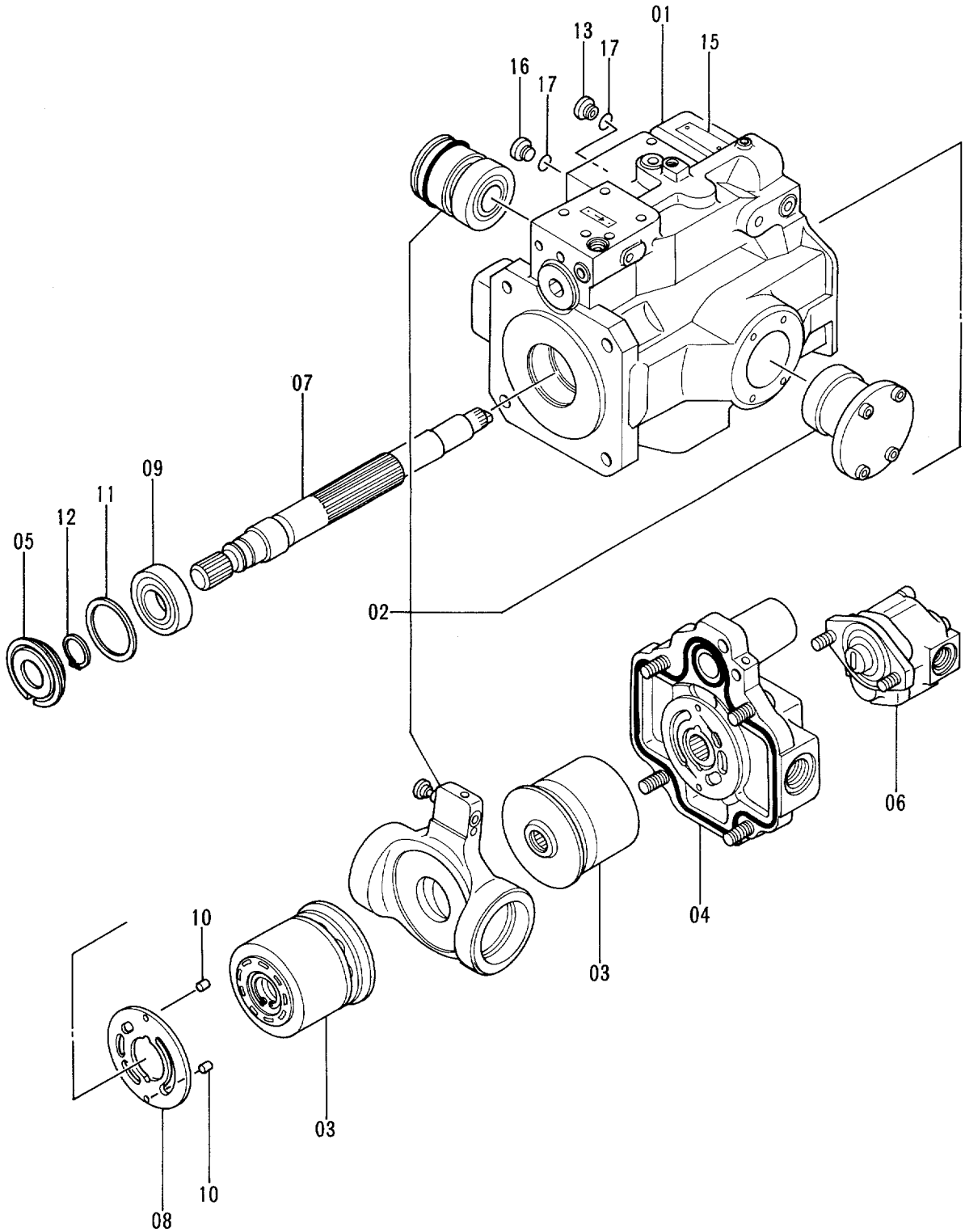
P B - 1 2 0  
P B - A 0 5

部品番号 PART NO.	コード CODE	部 品 名	PART NAME	適用号機 SERIAL NO.	頁 PAGE
ポンプ			P U M P		
4272668	0461600	ポンプ ; ピストン	PUMP;PISTON	30001-34449	001
# 4330251	0610600	ポンプ ; ピストン	PUMP;PISTON	34450-	003
4308266	0461700	・制御本体部	・CONTROL PART		005
4308267	0461800	・ハンガー部	・HANGER PART		007
4308268	0461900	・ロータリ グループ	・ROTARY GROUP	30001-34449	009
# 4330977	0610700	・ロータリ グループ	・ROTARY GROUP	34450-	011
4308269	0462000	・カバー部	・COVER PART		013
4255181	0386200A	・ケース部	・CASE PART		015
4255183	0386400A	・ギヤ ポンプ	・GEAR PUMP		017
4291325	0462400	ポンプ ; ピストン (ブレード)	PUMP;PISTON (BLADE)	30001-34449	019
# 4330252	0610800	ポンプ ; ピストン (ブレード)	PUMP;PISTON (BLADE)	34450-	021
4308266	0461700	・制御本体部	・CONTROL PART		(005)
4308267	0461800	・ハンガー部	・HANGER PART		(007)
4308268	0461900	・ロータリ グループ	・ROTARY GROUP	30001-34449	(009)
# 4330977	0610700	・ロータリ グループ	・ROTARY GROUP	34450-	(011)
4308269	0462000	・カバー部	・COVER PART		(013)
4255181	0386200A	・ケース部	・CASE PART		(015)
4308272	0462500	・ギヤ ポンプ	・GEAR PUMP		023
4255183	0386400A	・ギヤ ポンプ	・GEAR PUMP		(017)
モータ ; オイル			M O T O R ; O I L		
4272670	-----	モータ ; オイル (旋回)	MOTOR;OIL (SWING)	30001-33184	---
++++++	0444100	・モータ ; オイル (1/2)	・MOTOR;OIL (1/2)		025
++++++	0444200	・モータ ; オイル (2/2)	・MOTOR;OIL (2/2)		027
4325475	-----	モータ ; オイル (旋回)	MOTOR;OIL (SWING)	33185-	---
++++++	0602600	・モータ ; オイル (1/2)	・MOTOR;OIL (1/2)		029
++++++	0602700	・モータ ; オイル (2/2)	・MOTOR;OIL (2/2)		031
9099449	9099449	モータ ; オイル (走行)	MOTOR;OIL (TRAVEL)		033
9108037	9108037	・バルブ ; リリーフ	・VALVE;RELIEF		035
バルブ			V A L V E		
4286884	-----	バルブ ; コントロール	VALVE;CONTROL	30001-33184	---
++++++	0455000	・バルブ ; コントロール (1/3)	・VALVE;CONTROL (1/3)		037
++++++	0455100	・バルブ ; コントロール (2/3)	・VALVE;CONTROL (2/3)		039

部品番号 PART NO.	コード CODE	部 品 名	PART NAME	適用号機 SERIAL NO.	頁 PAGE
++++++	0455200	・バルブ ; コントロール (3/3)	・VALVE;CONTROL (3/3)		041
4325469	-----	バルブ ; コントロール	VALVE;CONTROL	33185-	---
++++++	0602000	・バルブ ; コントロール (1/3)	・VALVE;CONTROL (1/3)		043
++++++	0602100	・バルブ ; コントロール (2/3)	・VALVE;CONTROL (2/3)		045
++++++	0602200	・バルブ ; コントロール (3/3)	・VALVE;CONTROL (3/3)		047
4305191	-----	バルブ ; コントロール (側溝掘)	VALVE;CONTROL (OFFSET BOOM)	30001-33184	---
++++++	0462800	・バルブ ; コントロール (1/3)	・VALVE;CONTROL (1/3)		049
++++++	0462900	・バルブ ; コントロール (2/3)	・VALVE;CONTROL (2/3)		051
++++++	0463000	・バルブ ; コントロール (3/3)	・VALVE;CONTROL (3/3)		053
4325470	-----	バルブ ; コントロール (側溝掘)	VALVE;CONTROL (OFFSET BOOM)	33185-	---
++++++	0602300	・バルブ ; コントロール (1/3)	・VALVE;CONTROL (1/3)		055
++++++	0602400	・バルブ ; コントロール (2/3)	・VALVE;CONTROL (2/3)		057
++++++	0602500	・バルブ ; コントロール (3/3)	・VALVE;CONTROL (3/3)		059
# 4286412	0618900	バルブ ; コントロール (ブレード)	VALVE;CONTROL (BLADE)		061
9101511	9101511A	バルブ ; パイロット	VALVE;PILOT		063
4273526	0444300	バルブ ; ソレノイド	VALVE;SOLENOID		065
4261289	0486300	バルブ ; ソレノイド	VALVE;SOLENOID		067
# 4210647	0328700A	バルブ ; ソレノイド	VALVE;SOLENOID		069
4294401	0444400	バルブ ; フロウコントロール	VALVE;FC		071
4307376	0444500	・バルブ ; リリーフ	・VALVE;RELIEF		073
4254611	0396600A	バルブ ; ロック	VALVE;LOCK		075
# 9023408	9023408A	バルブ ; スローリターン	VALVE;SLOW-RETURN		077
シリンダ			CYLINDER		
4272843	0444600A	シリンダ ; ブーム	CYL.;BOOM		079
4317387	0498200	シリンダ ; ブーム (ショートリーチ)	CYL.;BOOM (SHORT REACH)		081
4272844	0444700A	シリンダ ; アーム	CYL.;ARM		083
4317388	0498300A	シリンダ ; アーム (ショートリーチ)	CYL.;ARM (SHORT REACH)		085
4295802	0486900	シリンダ ; アーム (側溝掘)	CYL.;ARM (OFFSET BOOM)		087
4272845	0453500	シリンダ ; バケット	CYL.;BUCKET		089
4317389	0498400	シリンダ ; バケット (ショートリーチ)	CYL.;BUCKET (SHORT REACH)		091
4290916	0487000	シリンダ ; オフセット (側溝掘)	CYL.;OFFSET (OFFSET BOOM)		093
4285523	0487100	シリンダ ; ブレード	CYL.;BLADE		095

001

ポンプ ; ピストン  
PUMP ; PISTON



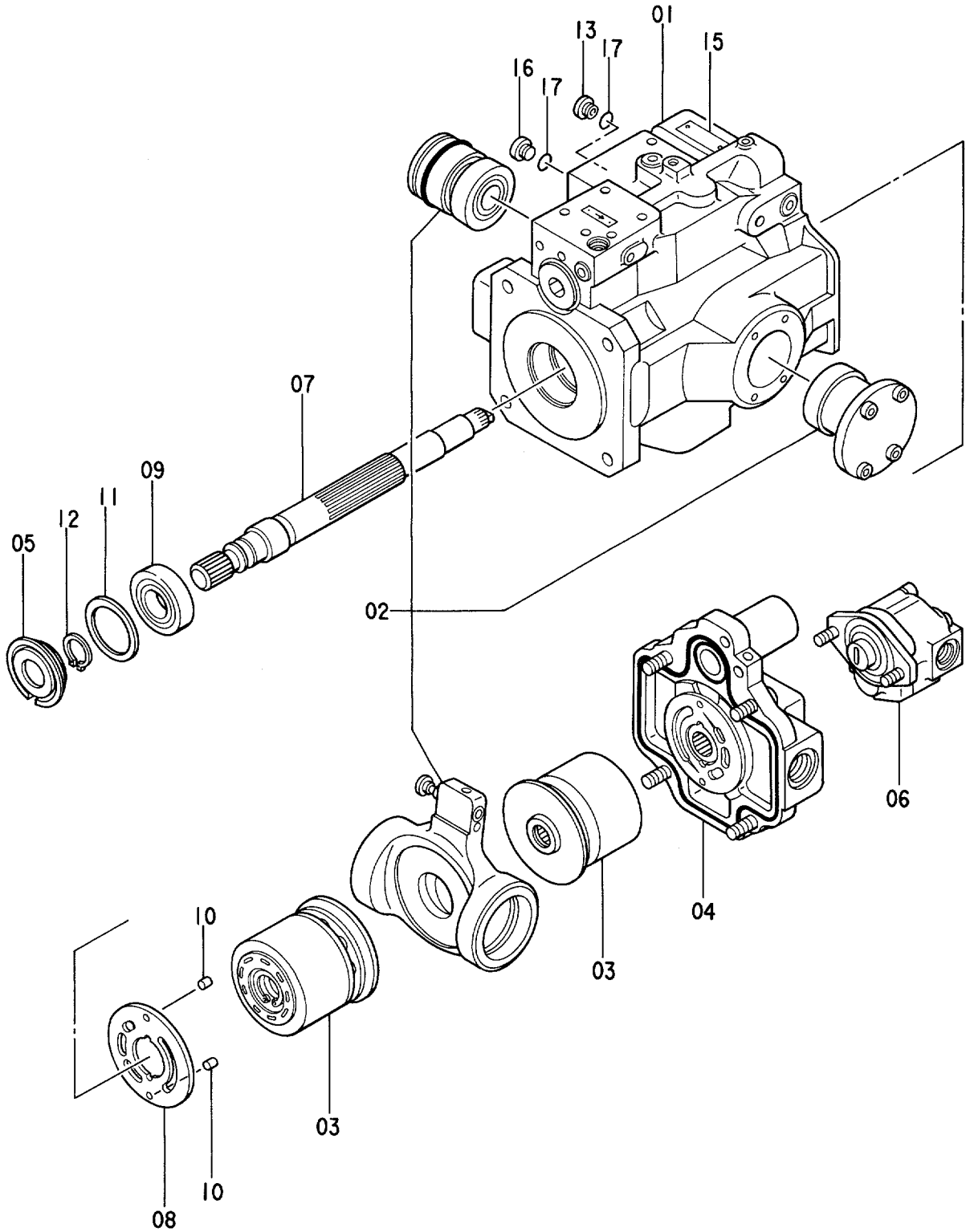
ポンプ ; ピストン  
PUMP; PISTON

30001-34449

符号 ITEM	部品番号 PART NO.	部 品 名 PART NAME	or PART NAME CODE	数量 Q'TY	サービ ス コ ー ド S.C	適 用 号 機 SERIAL NO.	互 換 性 ICA	代 替 部 品 REPLACEABLE PART	
								部品番号 PART NO.	数量 Q'TY
01	4272668	PUMP;PISTON	0461600	1			Y	4330251	1
02	4308266	•CONTROL PART	0461700	1					
03	4308267	•HANGER PART	0461800	1					
04	4308268	•ROTARY GROUP	0461900	2			I	4330977	2
05	4308269	•COVER PART	0462000	1					
06	4255181	•CASE PART	0386200A	1					
07	4255183	•GEAR PUMP	0386400A	1					
08	0385701	•SHAFT		1					
09	0461601	•PLATE		1					
10	0385703	•BRG.		1					
11	0294409	•PIN		2					
12	0385704	•SHIM		1					
13	0385705	•RING;RETAINING		1					
14	0215221	•PLUG		1					
15	+++++	•NAME-PLATE		1	D				
16	0385706	•PLUG		1					
17	957366	•O-RING		2					



ポンプ ; ピストン  
PUMP ; PISTON



Thank you so much for reading.  
Please click the “Buy Now!”  
button below to download the  
complete manual.



After you pay.

You can download the most  
perfect and complete manual in  
the world immediately.

Our support email:

[ebooklibonline@outlook.com](mailto:ebooklibonline@outlook.com)