

編 番  
PART NO.  
PIOS-EI-1

**PARTS CATALOG**

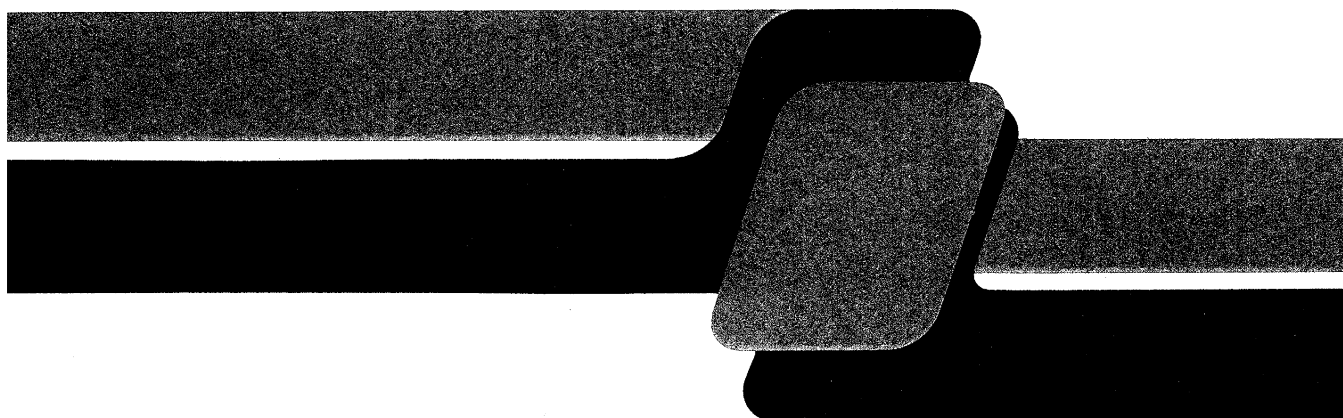
**パーツカタログ**

**EX60-3**

**EX60LC-3**

**EQUIPMENT COMPONENTS PARTS**

**機器インナーパーツ**



適用号機 40001~  
Serial No.

**HITACHI**

適 用 製 番 MACHINE Mfg. No.	
エ ン ジ ン 型 式 ENGINE TYPE	
エ ン ジ ン 製 番 ENGINE Mfg. No.	
備 考 REMARKS	

## FOREWORD

- ◎ This parts catalog shows the precision parts of EX60-3 and EX60LC-3 Hydraulic Excavator. The numerical parts No. index is provided at the end of this parts catalog. In the parts index, a part No. with "\*" mark shows a newly added part on the parts catalog.
- ◎ This parts catalog contains the most recent information available at the time of printing, and the contents of the list are based on information in effect at that time and are subject to change without notice.
- ◎ The references in the parts catalog of "LEFT", "RIGHT", "FRONT" and "REAR" are identified as follows.  
The driver's seat is positioned "LEFT" side, and the opposite side is "RIGHT".  
The front-end attachments is at the "FRONT". The counterweight is attached at the "REAR".  
For the undercarriage, the travel motor is at the "REAR", and the opposite is "FRONT".

### 1. HOW TO ORDER PARTS

When ordering parts, Please specify the following items as shown in the following example.

(EXAMPLE)		
(1) Model of Machine	(EX60-3)	} Shown on NAME-PLATE provided on MAIN FRAME on the lower right side of CAB
(2) Machine Serial No.	(10S-40001)	
(3) Part No.	(A810165)	} Ordering Parts
(4) Part Name	(O-RING)	
(5) Q'ty	(2)	Ordering Q'ty
(6) Purchaser's Name and Address		

### 2. HOW TO USE THIS PARTS CATALOG

- ITEM           Item No. shows the reference No. on the machine illustration.
- PART NO.       Part No. consists of a letter of the alphabet and numerals, or numerals only.
- PART NAME      Components of an assembly part are shown with "." marks and are shown on the line, or lines, below the assembly part. Also, if the component with "." mark consists of further components part, these further components are shown by the marks "...".

·Q' TY            Q'ty shows the quantity used for a particular single hydraulic unit, however quantity of components shows the quantity for one assembly part.

·SERVICE CODE    Abbreviations in the column of service code have their own meaning as shown below.

W: The part with this abbreviation shows that the part requires some work on it before installing in the machine.

D: The part with this abbreviation is a component of an assembly and is not available independently. The assembly part containing this part should be ordered.

K: This means that the part is contained in the service parts kit.

R: The part with this abbreviation shows that the quantity of the part is changed depending upon the machine, such as an adjusting shim etcetera.

S: This part is specially provided as a service part, which was not provided in the machine before from shipping the factory.

OP: Optional parts

OS: Over-sized parts

US: Under-sized parts

(NOTE: Part with abbreviation "OS" or "US" is described on the line below the standard-sized part.)

#: The part with this mark is newly added on that page of the equipment.

·SERIAL No.        Applicable machine serial No. for the part is shown in this column.

Further, above this column, the applicable serial No. is shown for all parts described on that page.

Take this serial No. if the part is not mentioned its own applicable serial No.

Take the serial No. which includes both of for the part and for all parts

described on the page if the part is mentioned its own applicable serial No.

If the abbreviation "D" is described as headed letter instead of the serial No.

it means the produced date of the machine in which the parts are used.

(EXAMPLE: D94/10-.....produced on October 1994 and after)

If the abbreviation "H" is described as headed letter, it means the serial No.

of equipment such as PUMP, MOTOR, CONTROL VALVE and etcetera.

If the abbreviation "F" is described as headed letter, it means the Front No.

of front-end attachments such as BUCKET, BOOM, ARM and etcetera.

·ICA                ICA shows the interchangeability between the original and the improved parts. Abbreviations used in this column are as follows.

I: Part No. in the column of "Replaceable part" can be used instead of this part but not vice versa.

P: This must not be used for the machine. The part No. in the column "Replaceable part" should be used instead.

T: Parts Nos. those in the column of "Replaceable part" can be used as an assembly instead of this part.

Y: This part and the part in the column of "Replaceable part" are interchangeable with each other.

·REPLACEABLE PART

Interchangeable parts Nos. and their required quantity are shown in this column.

NOTE: If interchangeable improved parts are provided for the parts which you may order, the improved parts classified as "I", "P", "T" or "Y" may be supplied.

目 次  
CONTENTS

部品番号 PART NO.	コード CODE	部 品 名	PART NAME	適用号機 SERIAL NO.	頁 PAGE
		P U M P			
ポンプ					
4330251	0610600	ポンプ ; ピストン	PUMP;PISTON		001
4308266	0461700	・制御本体部	・CONTROL PART		003
4308267	0461800	・ハンガー部	・HANGER PART		005
4330977	0610700	・ロータリ グループ	・ROTARY GROUP		007
4308269	0462000	・カバー部	・COVER PART		009
4255181	0386200A	・ケース部	・CASE PART		011
4255183	0386400A	・ギヤ ポンプ	・GEAR PUMP		013
4350439	0650700	ポンプ ; ピストン (ブレード)	PUMP;PISTON (BLADE)		015
4308266	0461700	・制御本体部	・CONTROL PART		(003)
4308267	0461800	・ハンガー部	・HANGER PART		(005)
4330977	0610700	・ロータリ グループ	・ROTARY GROUP		(007)
4308269	0462000	・カバー部	・COVER PART		(009)
4255181	0386200A	・ケース部	・CASE PART		(011)
4356089	0650800	・ギヤ ポンプ	・GEAR PUMP		017
4255183	0386400A	・ギヤ ポンプ	・GEAR PUMP		(013)
4315635	xxxxxxx	ポンプ ; ピストン (バイブレータ)	PUMP;PISTON (VIBRATOR)		xxx
		M O T O R ; O I L			
モータ ; オイル					
4325475	-----	モータ ; オイル (旋回)	MOTOR;OIL (SWING)		---
++++++	0602600	・モータ ; オイル (1/2)	・MOTOR;OIL (1/2)		019
++++++	0602700	・モータ ; オイル (2/2)	・MOTOR;OIL (2/2)		021
9099449	9099449	モータ ; オイル (走行)	MOTOR;OIL (TRAVEL)		023
9108037	9108037	・バルブ ; リリーフ	・VALVE;RELIEF		025
		V A L V E			
バルブ					
4325342	-----	バルブ ; コントロール	VALVE;CONTROL		---
++++++	0650900	・バルブ ; コントロール (1/3)	・VALVE;CONTROL (1/3)		027
++++++	0651000	・バルブ ; コントロール (2/3)	・VALVE;CONTROL (2/3)		029
++++++	0651100	・バルブ ; コントロール (3/3)	・VALVE;CONTROL (3/3)		031
4325343	-----	バルブ ; コントロール (側溝掘)	VALVE;CONTROL (OFFSET BOOM)		---
++++++	0651200	・バルブ ; コントロール (1/3)	・VALVE;CONTROL (1/3)		033
++++++	0651300	・バルブ ; コントロール (2/3)	・VALVE;CONTROL (2/3)		035
++++++	0651400	・バルブ ; コントロール (3/3)	・VALVE;CONTROL (3/3)		037
4350437	0651600	バルブ ; コントロール	VALVE;CONTROL		039
9101511	9101511A	バルブ ; パイロット	VALVE;PILOT		041

部品番号 PART NO.	コード CODE	部 品 名	PART NAME	適用号機 SERIAL NO.	頁 PAGE
4273526	0444300	バルブ ; ソレノイド	VALVE;SOLENOID		043
4261289	0486300	バルブ ; ソレノイド	VALVE;SOLENOID		045
4210647	0328700A	バルブ ; ソレノイド	VALVE;SOLENOID		047
4294401	0444400	バルブ ; フロウコントロール	VALVE;FC		049
4307376	0444500	・バルブ ; リリーフ	・VALVE;RELIEF		051
4342891	0642900	バルブ ; フロウコントロール	VALVE;FC		053
4254611	0396600A	バルブ ; ロック	VALVE;LOCK		055
9023408	9023408A	バルブ ; スローリターン	VALVE;SLOW-RETURN		057
シリンダ			CYLINDER		
4272843	0444600A	シリンダ ; ブーム	CYL.;BOOM		059
4317387	0498200	シリンダ ; ブーム (ショートリーチ)	CYL.;BOOM (SHORT REACH)		061
4335057	0601300	シリンダ ; ブーム (スーパ-ショートリーチ)	CYL.;BOOM (SUPER SHORT REACH)		063
4272844	0444700A	シリンダ ; アーム	CYL.;ARM		065
4317388	0498300A	シリンダ ; アーム (ショート, スーパ-ショートリーチ)	CYL.;ARM (SHORT, SUPER SHORT REACH)		067
4295802	0486900	シリンダ ; アーム (側溝掘)	CYL.;ARM (OFFSET BOOM)		069
4272845	0453500	シリンダ ; バケツ	CYL.;BUCKET		071
4317389	0498400	シリンダ ; バケツ (ショートリーチ)	CYL.;BUCKET (SHORT REACH)		073
4347192	4347192	シリンダ ; バケツ (スーパ-ショートリーチ)	CYL.;BUCKET (SUPER SHORT REACH)		075
4290916	0487000	シリンダ ; オフセット (側溝掘)	CYL.;OFFSET (OFFSET BOOM)		077
4350438	4350438	シリンダ ; ブレード	CYL.;BLADE		079
索 引			PARTS INDEX		
					081



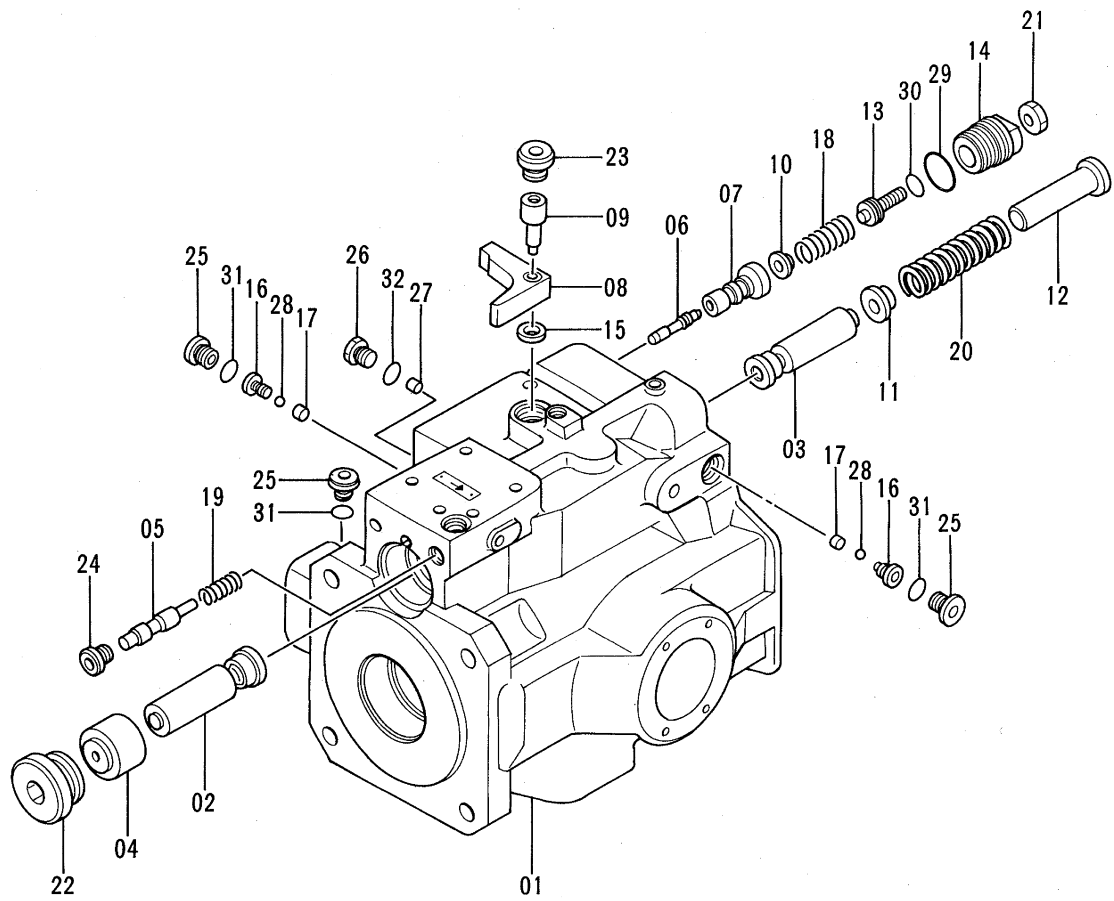


ポンプ ;ピストン  
PUMP;PISTON

40001-

符号 ITEM	部品番号 PART NO.	部品名 PART NAME	or PART NAME CODE	数量 Q'TY	サービス コード S.C	適用号機 SERIAL NO.	互換性 ICA	代替部品 REPLACEABLE PART	
								部品番号 PART NO.	数量 Q'TY
	4330251	PUMP;PISTON	0610600	1					
01	4308266	•CONTROL PART	0461700	1					
02	4308267	•HANGER PART	0461800	1					
03	4330977	•ROTARY GROUP	0610700	2					
04	4308269	•COVER PART	0462000	1					
05	4255181	•CASE PART	0386200A	1					
06	4255183	•GEAR PUMP	0386400A	1					
07	0385701	•SHAFT		1					
08	0461601	•PLATE		1					
09	0385703	•BRG.		1					
10	0294409	•PIN		2					
11	0385704	•SHIM		1					
12	0385705	•RING;RETAINING		1					
13	0215221	•PLUG		1					
15	+++++	•NAME-PLATE		1	D				
16	0385706	•PLUG		1					
17	957366	•O-RING		2					

セイギヨ ホンタイプ  
CONTROL PART



Thank you so much for reading.  
Please click the “Buy Now!”  
button below to download the  
complete manual.



After you pay.

You can download the most  
perfect and complete manual in  
the world immediately.

Our support email:

[ebooklibonline@outlook.com](mailto:ebooklibonline@outlook.com)