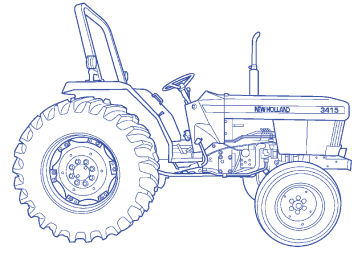


NEW HOLLAND 3415



REPAIR MANUAL



3415 REPAIR MANUAL CONTENTS

- SECTION 1 - ENGINE SYSTEMS**
- SECTION 2 - FUEL SYSTEMS**
- SECTION 3 - ELECTRICAL SYSTEM**
- SECTION 4 - CLUTCH**
- SECTION 5 - TRANSMISSION SYSTEMS**
- SECTION 6 - POWER TAKE-OFF SYSTEMS**
- SECTION 7 - DIFFERENTIAL, REAR AXLE AND BRAKES**
- SECTION 8 - HYDRAULIC SYSTEM**
- SECTION 9 - STEERING SYSTEM**
- SECTION 10 - FRONT AXLE AND RELATED PARTS**
- SECTION 11 - WHEELS AND TIRES**
- SECTION 12 - SEPARATING THE TRACTOR**

SECTION 1 - ENGINE SYSTEMS

Chapter 1 - Engine and Lubrication System

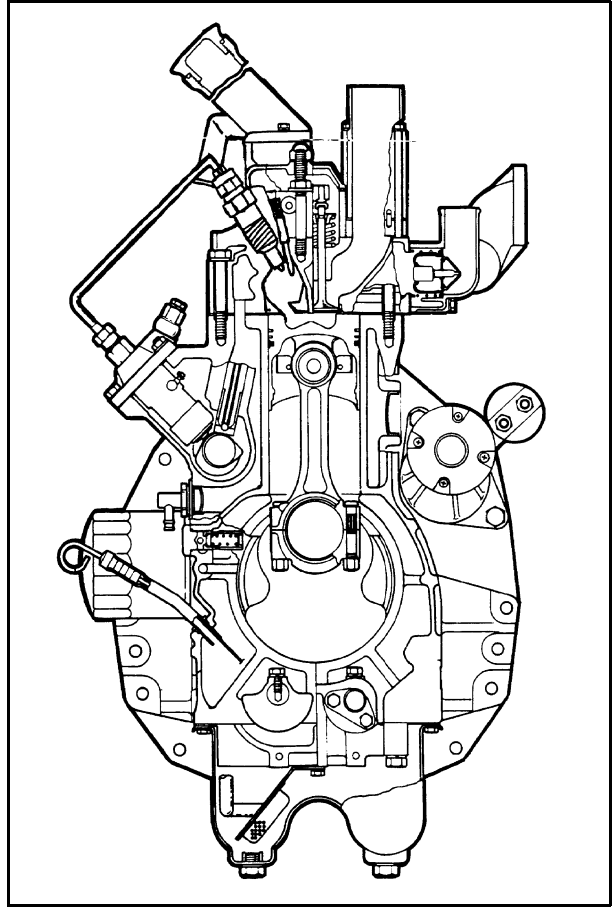
CONTENTS

Section	Description	Page
00 000	Engine and Lubrication System Description and Operation	1-2
00 000	Engine Overhaul	1-7
00 000	Engine Lubrication System Description	1-18
00 000	Engine Lubrication System Overhaul	1-21

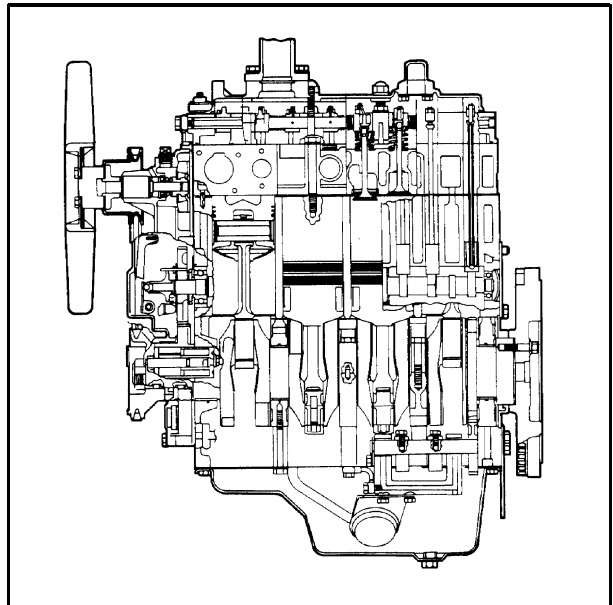
ENGINE SYSTEM DESCRIPTION AND OPERATION

This chapter describes engine overhaul and repairs procedures for the Model 3415 tractor engine.

The engine is a four cylinder, four cycle, overhead valve, liquid cooled engine, Figures 1 and 2.



1



2

Thank you so much for reading.
Please click the “Buy Now!”
button below to download the
complete manual.



After you pay.

You can download the most
perfect and complete manual in
the world immediately.

Our support email:

ebooklibonline@outlook.com