

---

# TC48DA, TC55DA REPAIR MANUAL COMPLETE CONTENTS

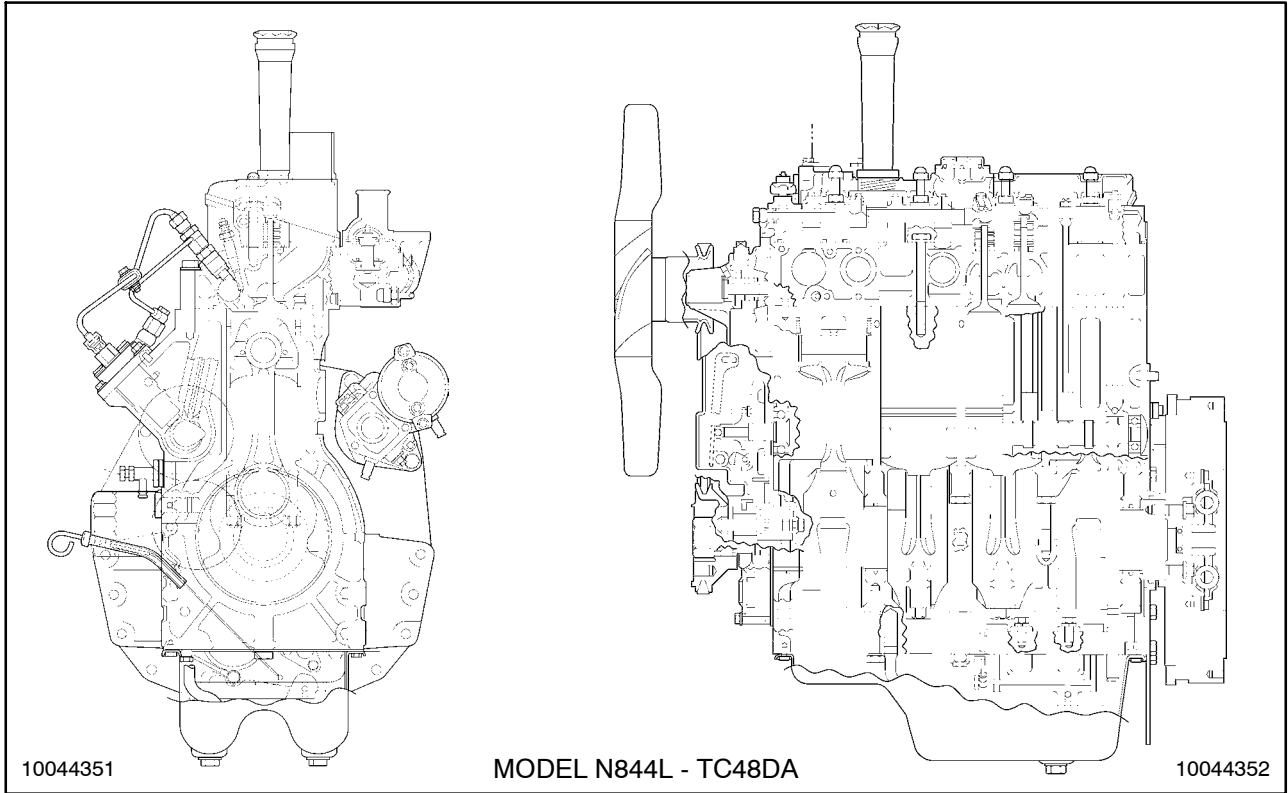
SECTION 00 - GENERAL INFORMATION .....	2
SECTION 10 - ENGINE .....	3
SECTION 18 - CLUTCH .....	11
SECTION 21 - TRANSMISSION .....	12
SECTION 23 - FWD DRIVELINE .....	19
SECTION 25 - FWD FRONT AXLE .....	20
SECTION 27 - DIFFERENTIAL, REAR AXLE .....	21
SECTION 31 - POWER TAKE-OFF (PTO) .....	23
SECTION 33 - BRAKES .....	24
SECTION 35 - HYDRAULIC SYSTEM .....	24
SECTION 41 - STEERING .....	28
SECTION 44 - WHEELS AND TIRES .....	30
SECTION 55 - ELECTRICAL SYSTEM .....	31
SECTION 90 - PLATFORM .....	39

The following pages are the collation of the contents pages from each section and chapter of the TC48DA, TC55DA Repair manual. Complete Repair part # 87357371.

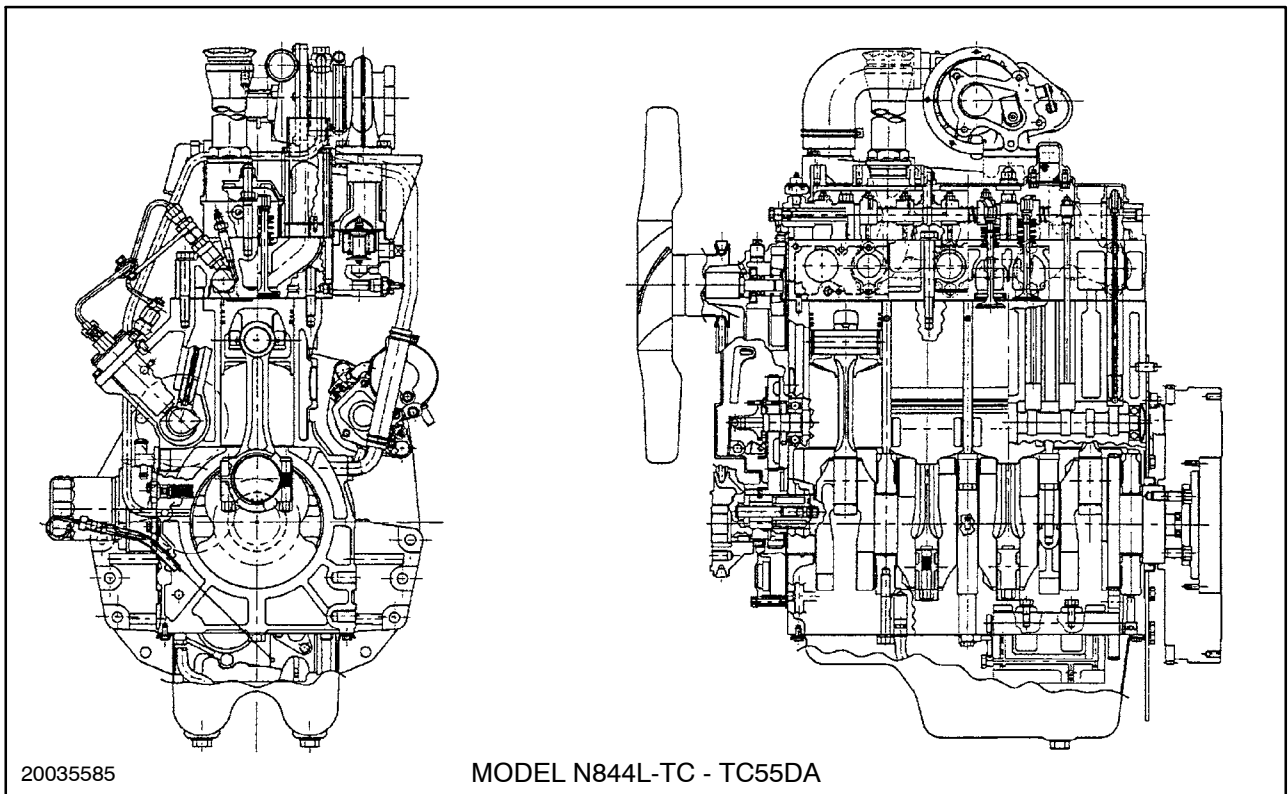
The sections used through out all New Holland product Repair manuals may not be used for each product. Each Repair manual will be made up of one or several books. Each book will be labeled as to which sections are in the overall Repair manual and which sections are in each book.

The sections listed above are the sections utilized for the TC48DA, TC55DA Tractors.

SECTION 10 - ENGINE - CHAPTER 1



4

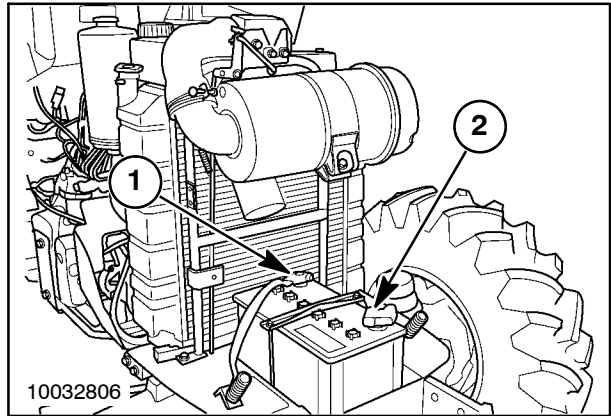


5

## ENGINE

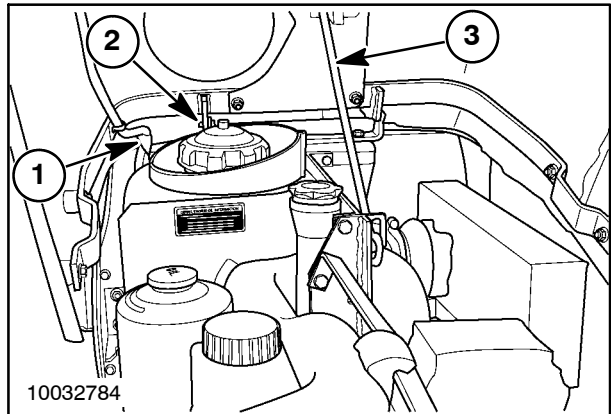
### Removal

1. Disconnect the negative (-) battery cable, 1, and positive (+) battery cable, 2, from the battery.



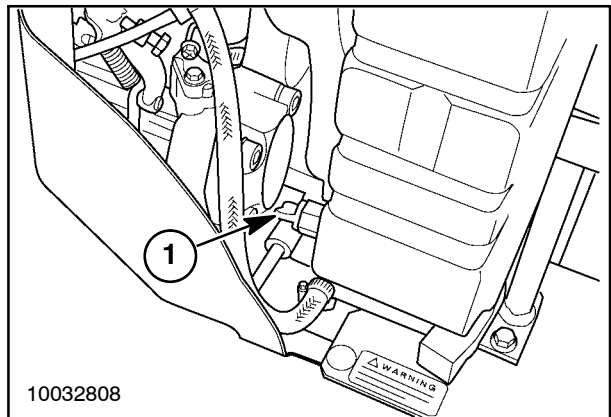
6

2. Disconnect the headlight wire harness plug, 1.
3. Remove the clips and pins, 2, from each side of the hood bracket.
4. Remove the support rod, 3, and remove the hood from the tractor.



7

5. Drain the coolant from radiator, and engine using the petcock valve, 1. Remove radiator cap to assist draining.
6. Remove the radiator (see Radiator Removal in Section 10).

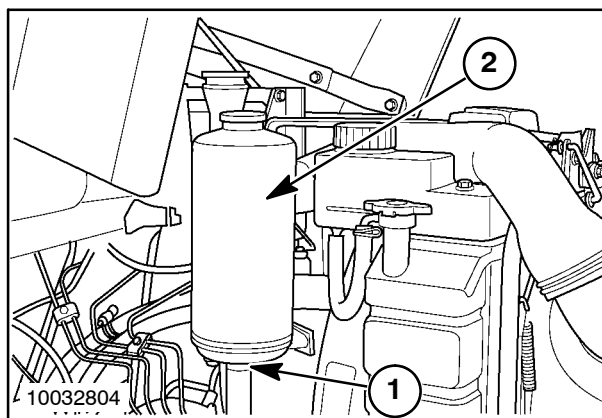


8

## SECTION 10 - ENGINE - CHAPTER 1

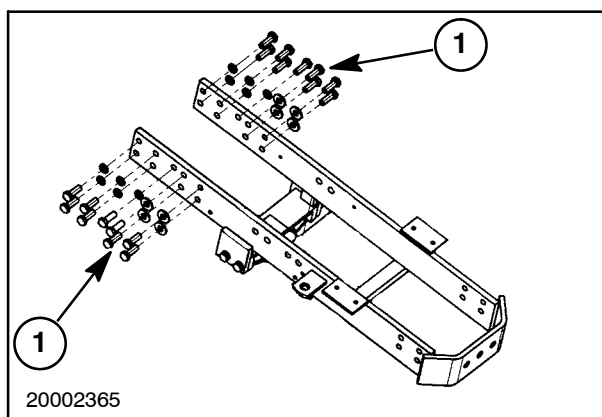
- Loosen and remove the drain plug, 1, from the power steering reservoir, 2, and drain into a suitable container.

**NOTE:** See separating the tractor at the transmission in Section 21 to separate the tractor.



9

- After the tractor has been successfully separated, support the front axle and the front support frame with jack stands.
- Remove the firewall from the engine.
- Remove the muffler and exhaust pipe from the tractor.
- With the chain and hoist still attached to the engine, remove the mount bolts, 1, from each side of the frame rails.
- Carefully remove the engine.

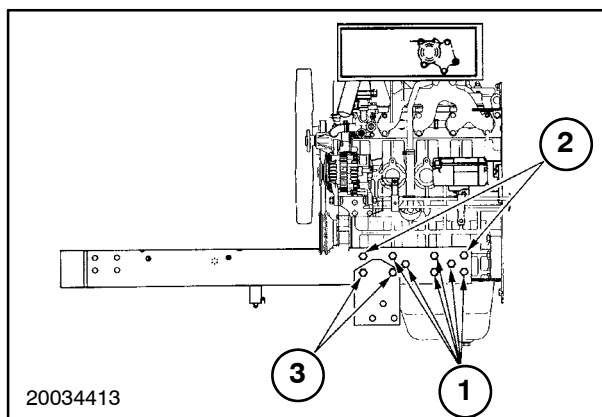


10

### Installation

- Attach a hoist to the engine, and position it onto the frame.
- Install the engine mounting bolts on both sides of the frame. Apply Loctite® thread locker 242 to the thread of the bolts. Tighten bolts to the following torques:
  - torques #1 - 80 N·m (60 ft. lbs.)
  - torques #2 - 80 N·m (60 ft. lbs.)
  - torques #3 - 175 N·m (130 ft. lbs.)
- Install the muffler and exhaust pipe onto the tractor.
- Install the firewall onto the engine.

**NOTE:** See section 21 for attaching the engine to the transmission.



11

OVERHAUL

ENGINE

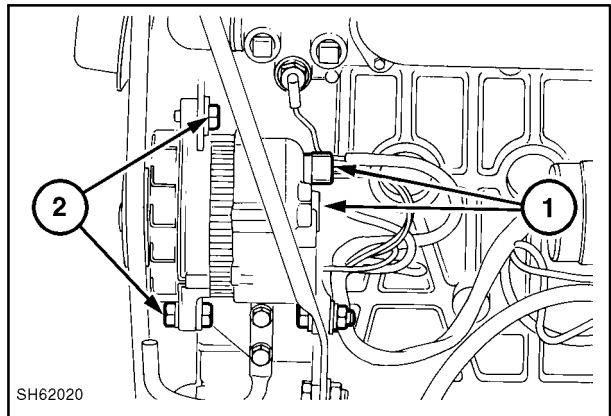
**NOTE:** Some procedures discussed in this chapter are shown with the engine in the tractor. Many of the procedures can be done with the engine in or out of the tractor.

ALTERNATOR

Removal

Disconnect the alternator wire harness and wires, 1.

Remove the alternator pivot and adjusting bracket, hardware, 2.

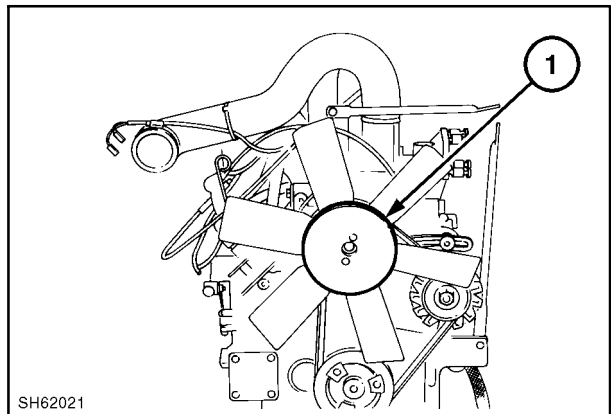


12

COOLING FAN AND PULLEY

Removal

Remove the fan, 1, retaining hardware and spacers.

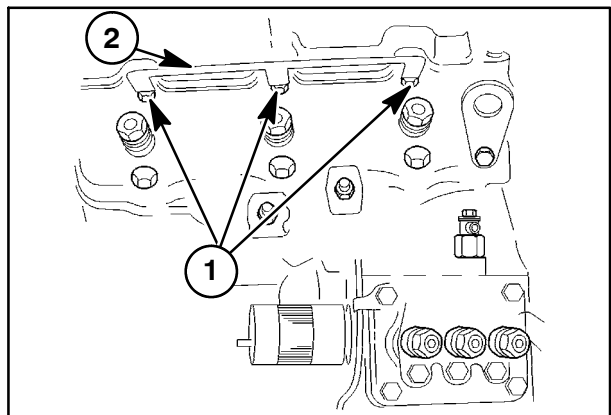


13

GLOW PLUG AND CONNECTOR

Removal

Remove the glow plugs, 1, and glow plug connectors, 2.

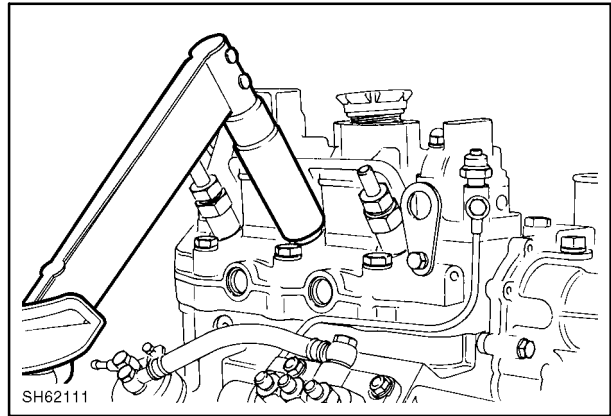


14

### NOZZLE/HOLDER

#### Removal

Remove the nozzle and holder assembly with a socket for the nozzle holder.

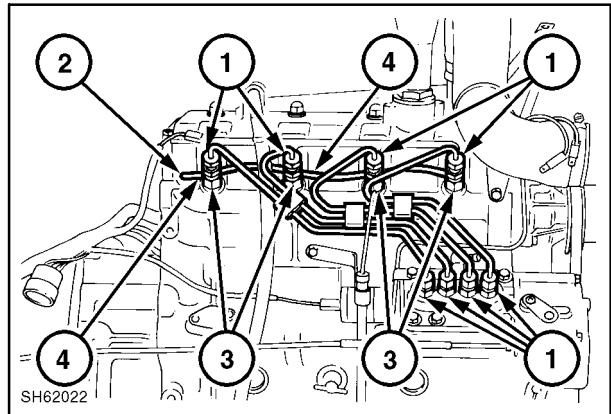


15

### FUEL INJECTION PIPE

#### Removal

1. Loosen the fuel pipe nuts from the fuel injection pump and injectors, 1. Remove the pipes as an assembly.
2. Remove the spring clamp and fuel return hose, 2.



16

### INJECTOR

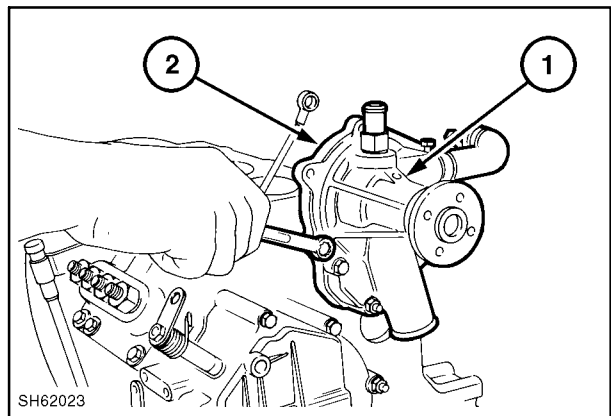
#### Removal

Loosen and remove the securing nuts, 3. Remove the leak-off rail, 4. Remove the aluminum washers and discard. Remove the injectors tagging or marking with the cylinder they were removed from.

### WATER PUMP

#### Removal

Loosen the securing bolts and remove the water pump assembly, 1, and set plate, 2.



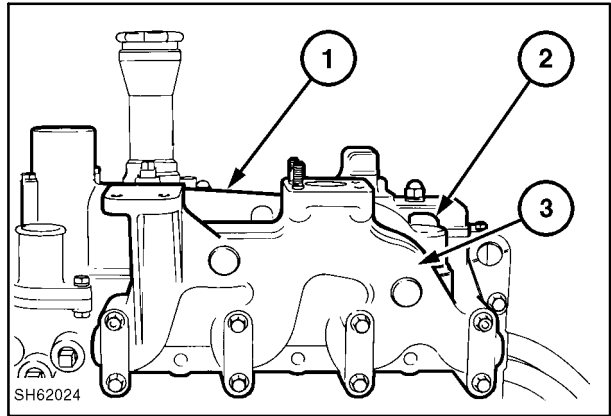
17

**COVER/INTAKE MANIFOLD/EXHAUST MANIFOLD**

**Removal**

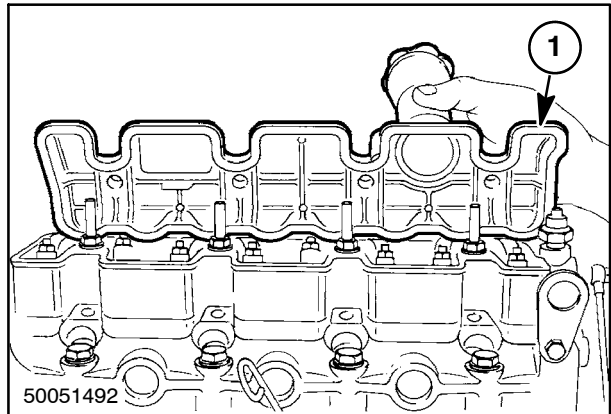
Remove the intake manifold, 1, spacer, 2, and exhaust manifold, 3.

For the N844L-TC turbocharged engine, refer to the turbocharger section of the manual for removal and replacement.



18

Loosen and remove four cap nuts with washers. Remove the head cover assembly, 1.

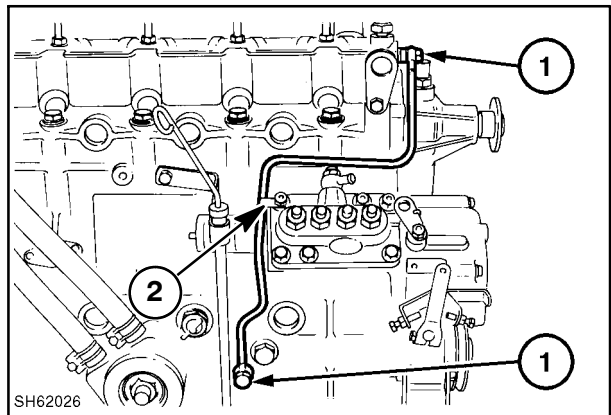


19

**EXTERNAL OIL PIPE**

**Removal**

1. Loosen and remove the two banjo bolts, 1, at the cylinder block main oil gallery and cylinder head assembly.
2. Remove the clamp, 2, from the fuel injection pump.

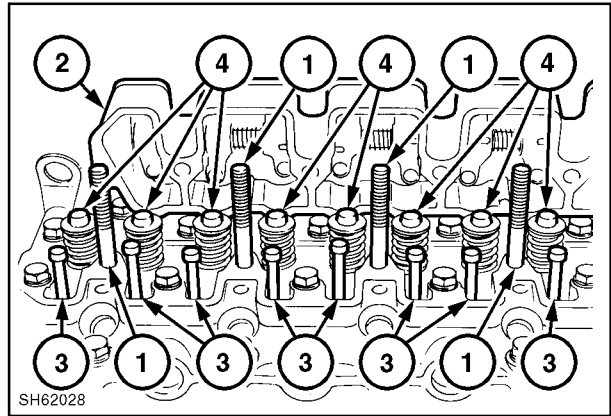


20

## ROCKER ASSEMBLY

### Removal

1. Loosen and remove nuts, lock washers, and flat washers from the rocker pillar stud, 1. Lift the rocker assembly, 2.
2. Remove the push rods, 3, and valve stem caps, 4.

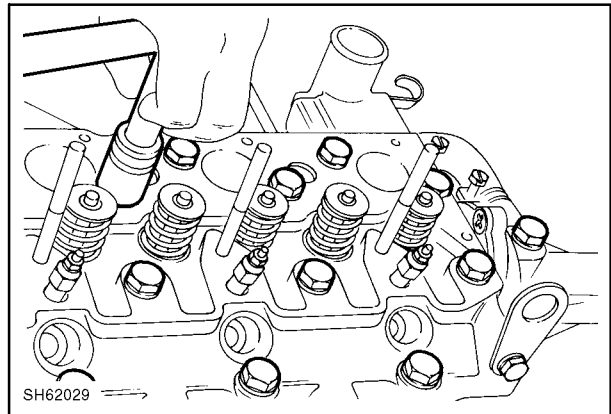


21

## CYLINDER HEAD

### Removal

Loosen the cylinder head bolts, starting from the center, in a circular pattern, using several steps of equal torque. Remove the head.

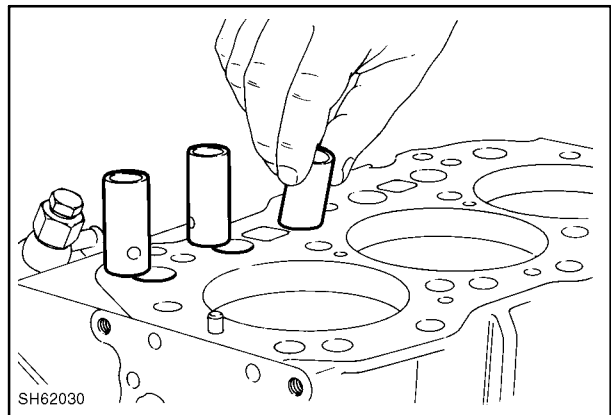


22

## TAPPETS

### Removal

Pull the tappets from the machined bore in the cylinder block.



23



Thank you so much for reading.  
Please click the “Buy Now!”  
button below to download the  
complete manual.



After you pay.

You can download the most  
perfect and complete manual in  
the world immediately.

Our support email:

[ebooklibonline@outlook.com](mailto:ebooklibonline@outlook.com)