
TT55, TT75 REPAIR MANUAL

COMPLETE CONTENTS

SECTION 00 - GENERAL	2
SECTION 10 - ENGINE	2
SECTION 18 - CLUTCHES	4
SECTION 21 - FRONT TRANSMISSION	4
SECTION 23 - FOUR WHEEL DRIVE (FWD) TRANSFER BOX	4
SECTION 25 - FOUR WHEEL DRIVE (FWD) FRONT AXLE	5
SECTION 27 - REAR AXLE AND TRANSMISSION	5
SECTION 31 - POWER TAKE-OFF (PTO)	6
SECTION 33 - BRAKE SYSTEM	6
SECTION 35 - HYDRAULIC SYSTEM	7
SECTION 41 - STEERING SYSTEM	8
SECTION 44 - 2WD FRONT AXLE	8
SECTION 55 - ELECTRICAL SYSTEM	9
SECTION 90 - BODYWORK	11

The following pages are the collation of the contents pages from each section and chapter of the TT55, TT75 Repair manual. Complete Repair part # 87042097.

The sections used through out all New Holland product Repair manuals may not be used for each product. Each Repair manual will be made up of one or several books. Each book will be labeled as to which sections are in the overall Repair manual and which sections are in each book.

The sections listed above are the sections utilized for the TT55, TT75 Tractors.

ENGINE REMOVAL

⚠ DANGER ⚠

Lift and handle all heavy parts using suitable lifting equipment.

Ensure to support load by means of suitable slings and hooks.

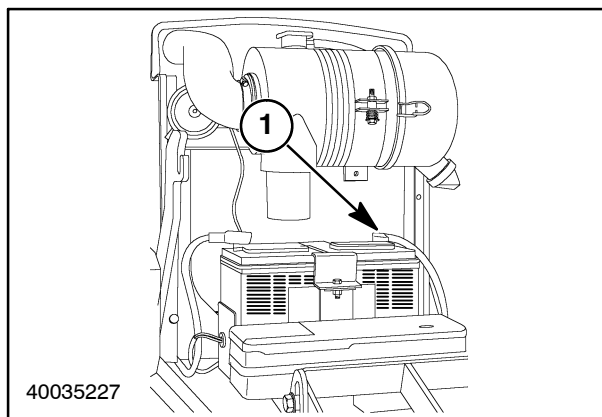
Ensure no-one is standing in the vicinity of the load to when lifting.

⚠ CAUTION ⚠

Always use suitable tools to align holes in parts. NEVER USE YOUR FINGERS OR HANDS.

Before removing engine:

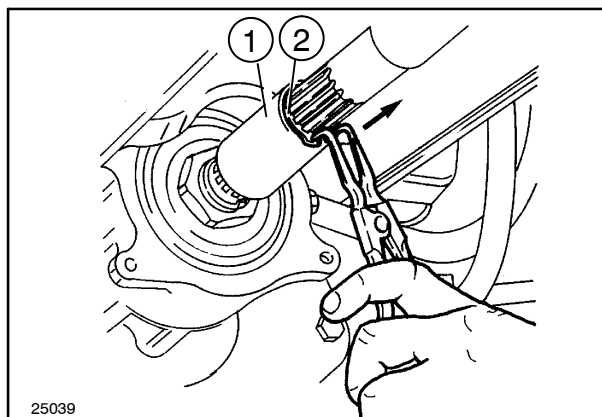
- Disconnect the negative lead (1), from the battery.
- Drain oil from the transmission/gearbox.
- Drain liquid from cooling system.



11

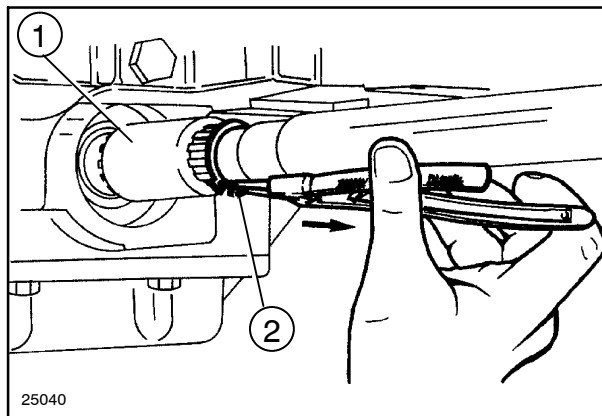
On FWD Models:

1. Remove the circlip (2), and slide the sleeve (1) in the direction shown by the arrow until free of the splines on the front axle.



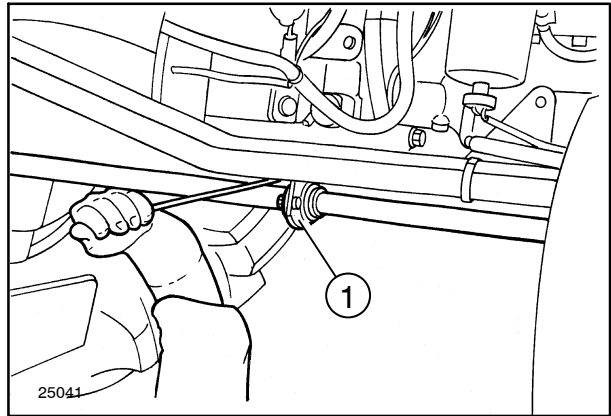
12

2. Remove the circlip (2) and slide the sleeve (1) in the direction shown by the arrow until it is free of the spines on the drive shaft.



13

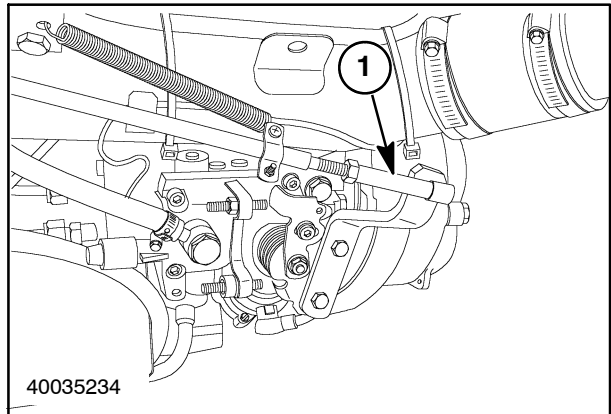
3. Remove the retaining bolts from the central drive shaft support (1) and remove the shaft complete with support.



14

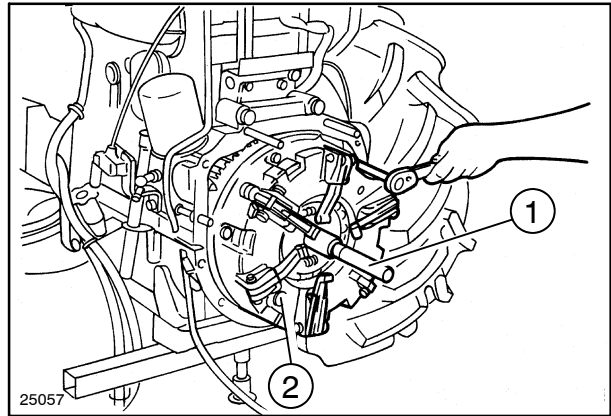
Splitting the tractor

1. Disconnect the negative battery lead if not previously done.
2. Place wedges between the front axle and the front axle carries to prevent the assembly from tilting.
3. Disconnect the tractor electrical harnesses.
4. Remove the exhaust pipe and right and left middle hood sections.
5. Remove the steering lines tubes.
6. Remove the suction line from the hydraulic reservoir and cap the reservoir port.
7. Remove the throttle linkage (1) from the injection pump and from the mounting point under rear hood.
8. Disconnect the fuel delivery line from the primer pump and the return line from the tee.
9. Remove bolts holding "Fire Wall" to engine.
10. Remove the hydraulic lift suction and delivery lines from the hydraulic pump.
11. If there is a horizontal exhaust, disconnect or remove exhaust line and muffler.
12. On four-wheel drive tractors, disconnect and drop the front axle driveshaft.
13. Place a hydraulic stand under the clutch transmission case and attach lifting tackle to the engine.
14. Unbolt the engine from the transmission case.
15. Using a crane, separate the engine from the rest of the tractor.



15

16. Insert centralizer tool (1) **380000612** in the clutch center hole. Unscrew the six bolts securing the clutch to the flywheel and remove complete clutch assembly.



16

ENGINE REINSTALLATION

To re-install the engine, proceed as follows:

- Attach the three hooks of an adjustable lifting chain to three eye bolts on the engine. Raise the engine from the platform and position it in front of the front axle support. Join the two units using the four securing bolts.
- Move a rolling jack under the engine sump.
- Drive wedge blocks between front axle carrier casting and front axle housing.
- Attach the top radiator hose to the thermostat housing and secure with adjustable hose clamps.
- Connect the bottom radiator hose to the coolant pump and secure at both ends with adjustable hose clamps.
- Install the hydraulic pumps.
- Detach the lifting chain from the engine.
- Connect the rigid pipe from the air cleaner to the inlet manifold and secure with the relative clamp.
- Reconnect all electrical leads: thermostarter glow plug, coolant temperature sensor, air filter clogging sensor, horn, front axle support ground, engine stop on injection pump, leads to the alternator and relay, oil pressure sensor, and starter motor. Secure all leads with plastic ties.
- Install the clutch using tool **380000612**. Fix clutch to the engine flywheel using the six retaining bolts.
- Attach the adjustable lifting chain to the eyebolts on the engine.
- Place wooden wedges under the rear wheels, check that the handbrake is fully on and that the fixed and moving stands are firmly in place.
- The next operation will require 2 or 3 operatives. Position the engine/front axle unit up to the clutch housing, pushing the front wheels and accompanying the unit with the hoist. Be careful at this stage not to damage the rigid hydraulic oil pipes. Make sure that no electrical leads are trapped between the two units.
- Next, turn the cooling fan to rotate the clutch disc so it engages with the two shafts of the PTO and transmission.
- Replace and tighten all the bolts securing the engine to the clutch housing.
- Lower the stands under the engine sump and the clutch housing.
- Connect the injector leak-off pipe. Connect the pipes to the glowplug and to the fuel water separator filter.
- Install the fuel filter mounting to the engine. Connect the two semi-rigid pipes to the mounting.
- Connect the power steering at control valve oil supply and return pipes.
- Connect the hydraulic oil suction pipe to the pump.

SECTION 10 - ENGINE - CHAPTER 1

- Connect the rigid lift control valve supply pipe to the hydraulic pump, remembering to first fit the O-ring.
- Secure the two pipes with the adjustable hose clamp.
- Connect up all the electrical leads to the connectors.
- Connect the two flexible power steering pipes to the union on the right-hand side of the front axle. Secure the two pipes with a special clamp and fix the clamp to the tractor with a screw.
- Install the tachometer cable and secure the sleeve with the retaining ring.
- Reinstall the 4WD transmission shaft and the guard.
- Re-connect the throttle rod to the accelerator mechanism.
- Replace the fan guards.
- Reinstall the front ballast and secure with the lock pin.
- Fill the transmission/gearbox/power steering bottle with oil.
- Fill the radiator with coolant mixture.
- Connect the positive and negative battery leads.

ENGINE - Disassembly

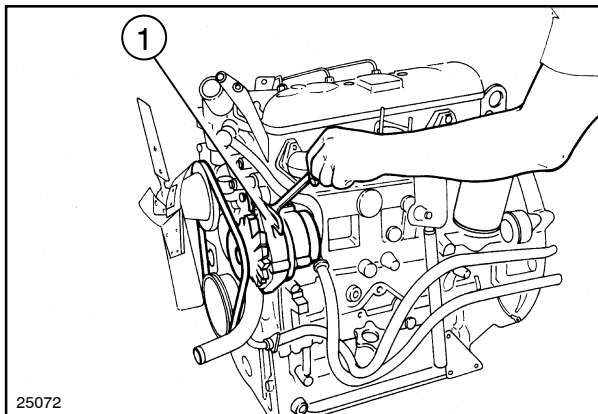


Handle all parts carefully. Do not put your hands or fingers between parts.

Wear suitable safety clothing - safety goggles, gloves and shoes.

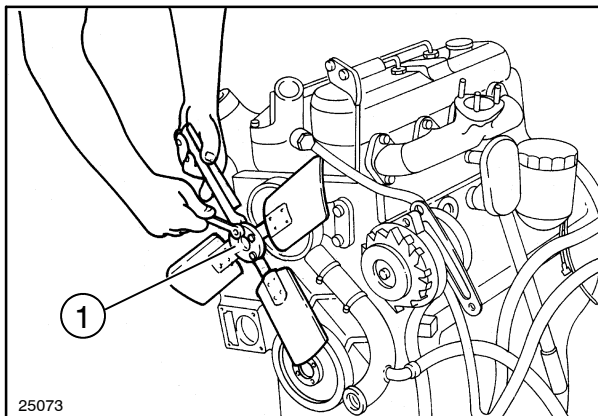
After removing all relative guards, shields and parts mounted to the engine in the tractor and the engine is "free" proceed as follows:

1. Loosen the alternator pivot bolt.
2. Loosen the belt tension adjustment bolt (1).
3. Release the belt tension adjustment arm by undoing the retaining nut.
4. Remove the alternator and coolant pump drive belt.



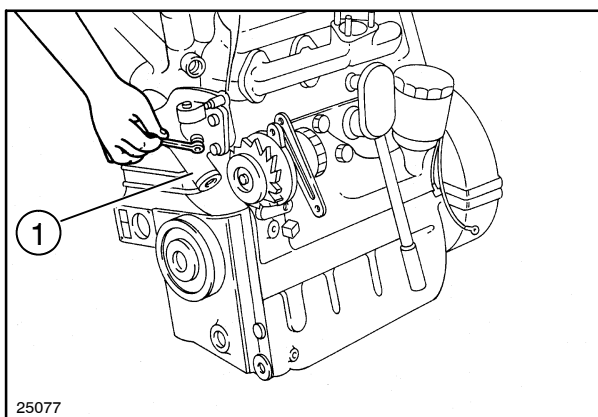
17

5. Unscrew the bolts securing the fan (1) and pulley to the coolant pump and remove the fan and pulley.



18

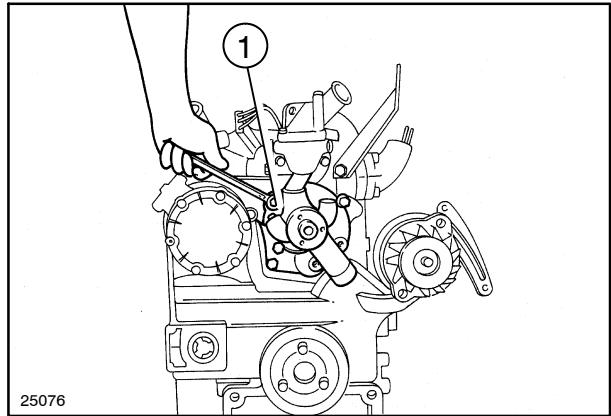
6. Remove the union in order to gain access to the pump retaining bolt.



19

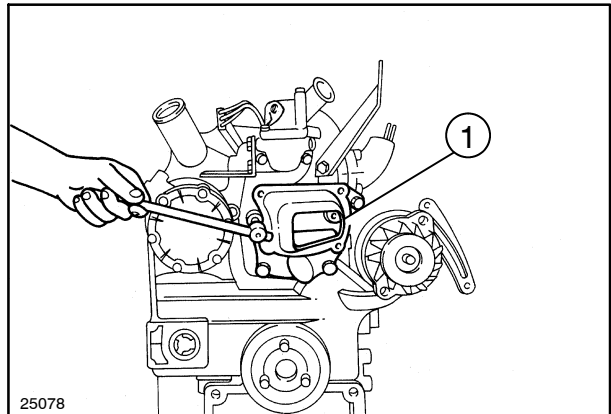
SECTION 10 - ENGINE - CHAPTER 1

7. Unscrew the coolant pump retaining bolts (1) and remove the pump.



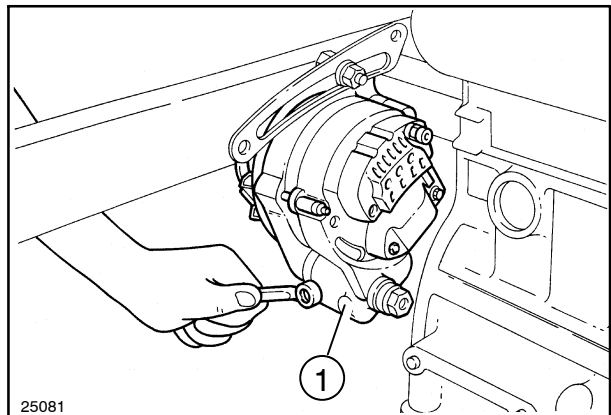
20

8. Unscrew the pump support bolts (1), the internal support bolt and remove the support.



21

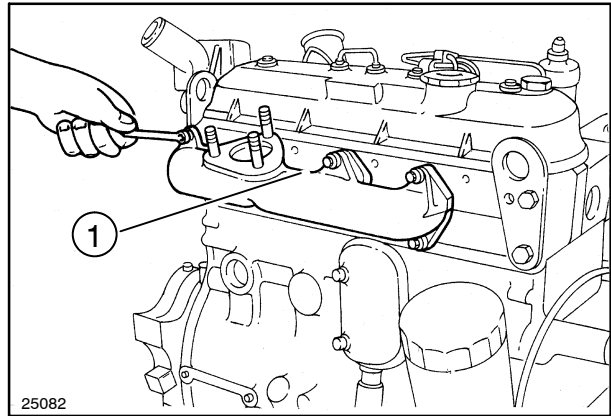
9. Loosen the alternator support retaining bolts (1) and remove the complete alternator assembly.



22

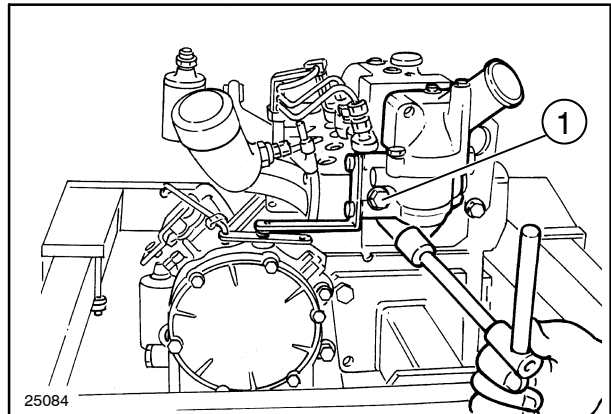
SECTION 10 - ENGINE - CHAPTER 1

10. Unscrew the bolts (1) securing the exhaust manifold to the cylinder head and remove the manifold.



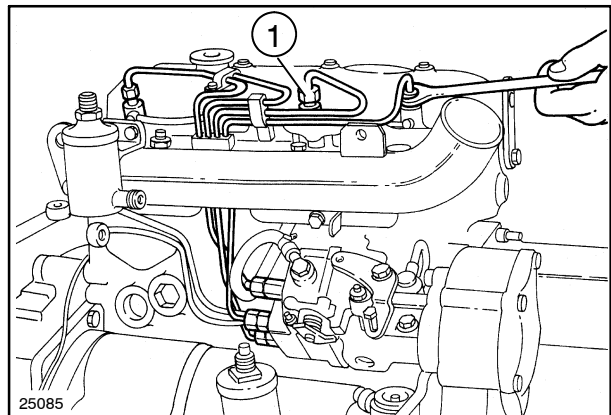
23

11. Remove the thermostat housing retaining bolts (1) and remove the thermostat housing.



24

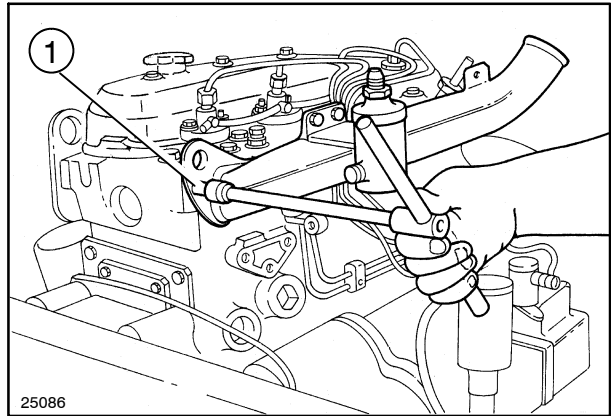
12. Unscrew the high pressure fuel line unions (1) on the injection pump and remove the fuel lines.



25

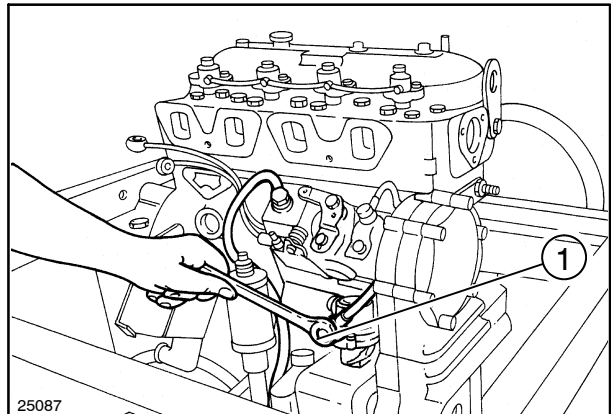
SECTION 10 - ENGINE - CHAPTER 1

13. Unscrew the bolts (1) securing the inlet manifold to the cylinder head and remove the manifold.



26

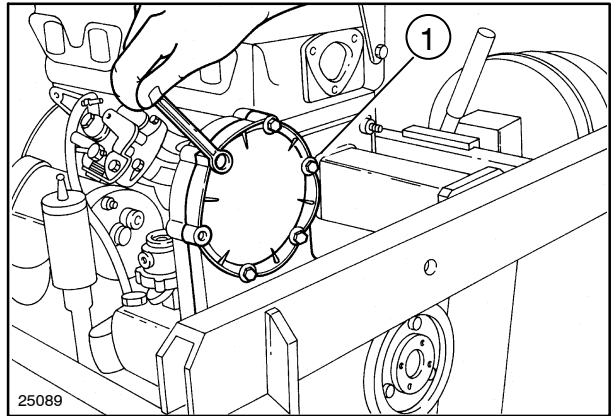
14. Unscrew the unions (1) on the fuel supply pump and detach the fuel lines.



27

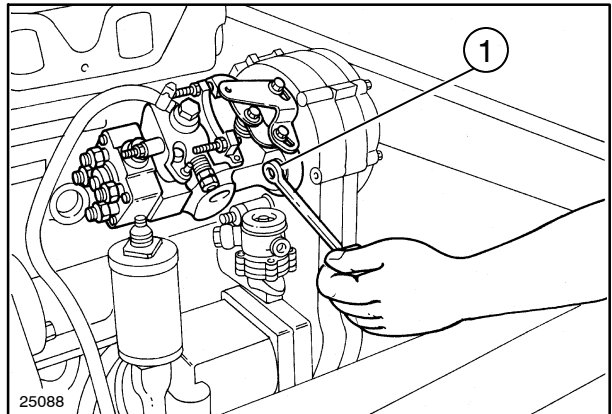
SECTION 10 - ENGINE - CHAPTER 1

15. Loosen screws (1) and remove the injection pump drive gear cover.



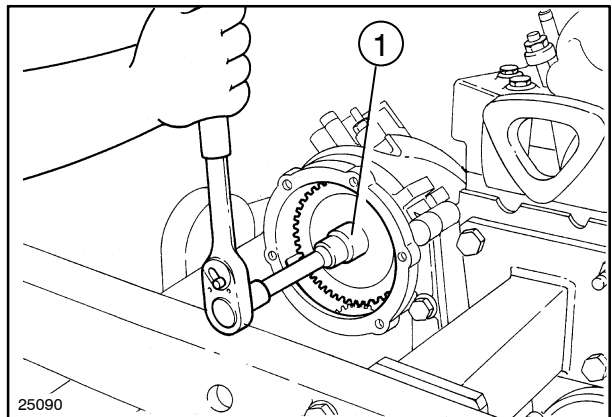
28

16. Unscrew the nuts (1) securing the injection pump to the timing gear case.



29

17. Unscrew the nut (1) securing the injection pump shaft to the drive gear.



30

Thank you so much for reading.
Please click the “Buy Now!”
button below to download the
complete manual.



After you pay.

You can download the most
perfect and complete manual in
the world immediately.

Our support email:

ebooklibonline@outlook.com