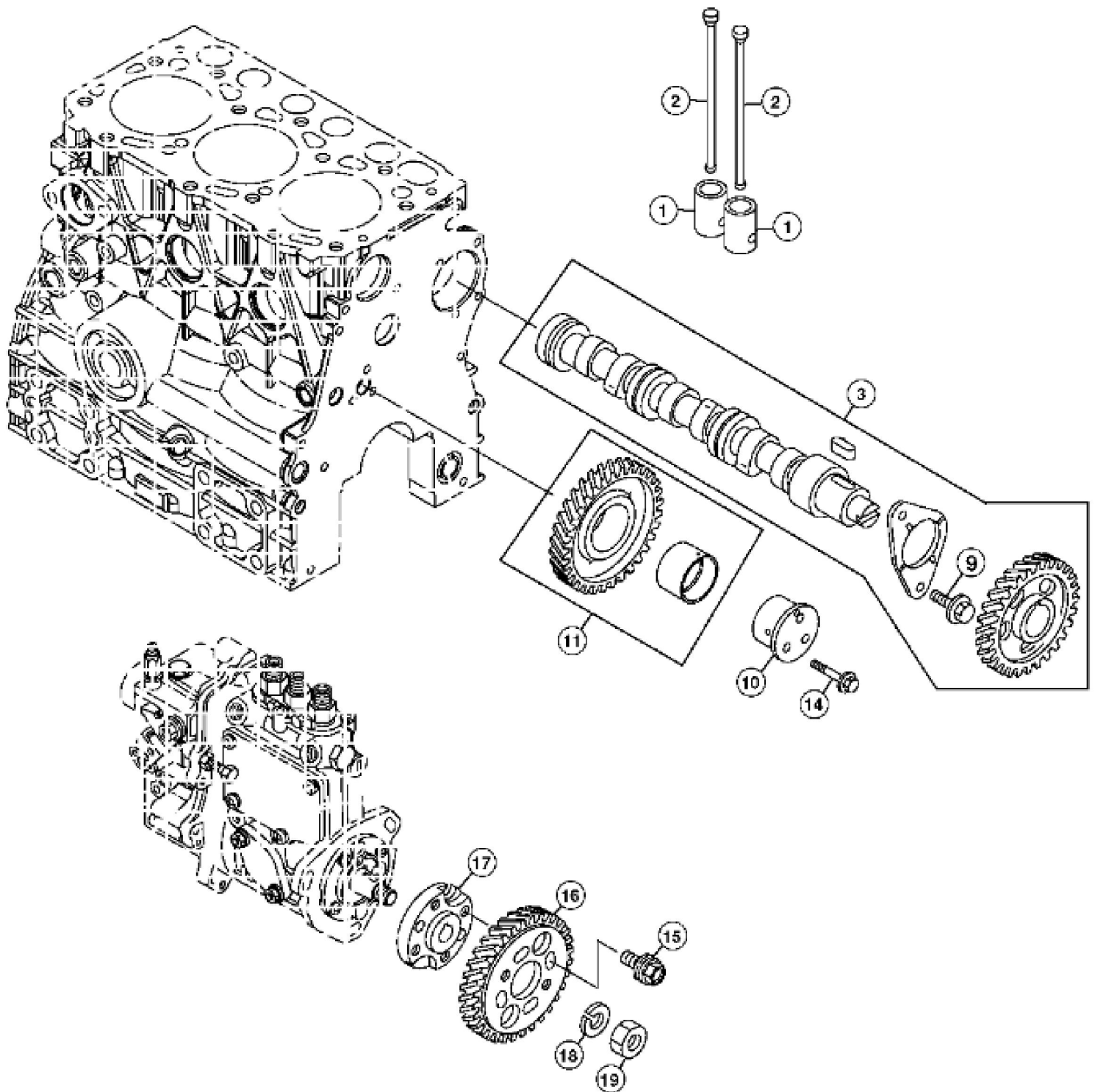


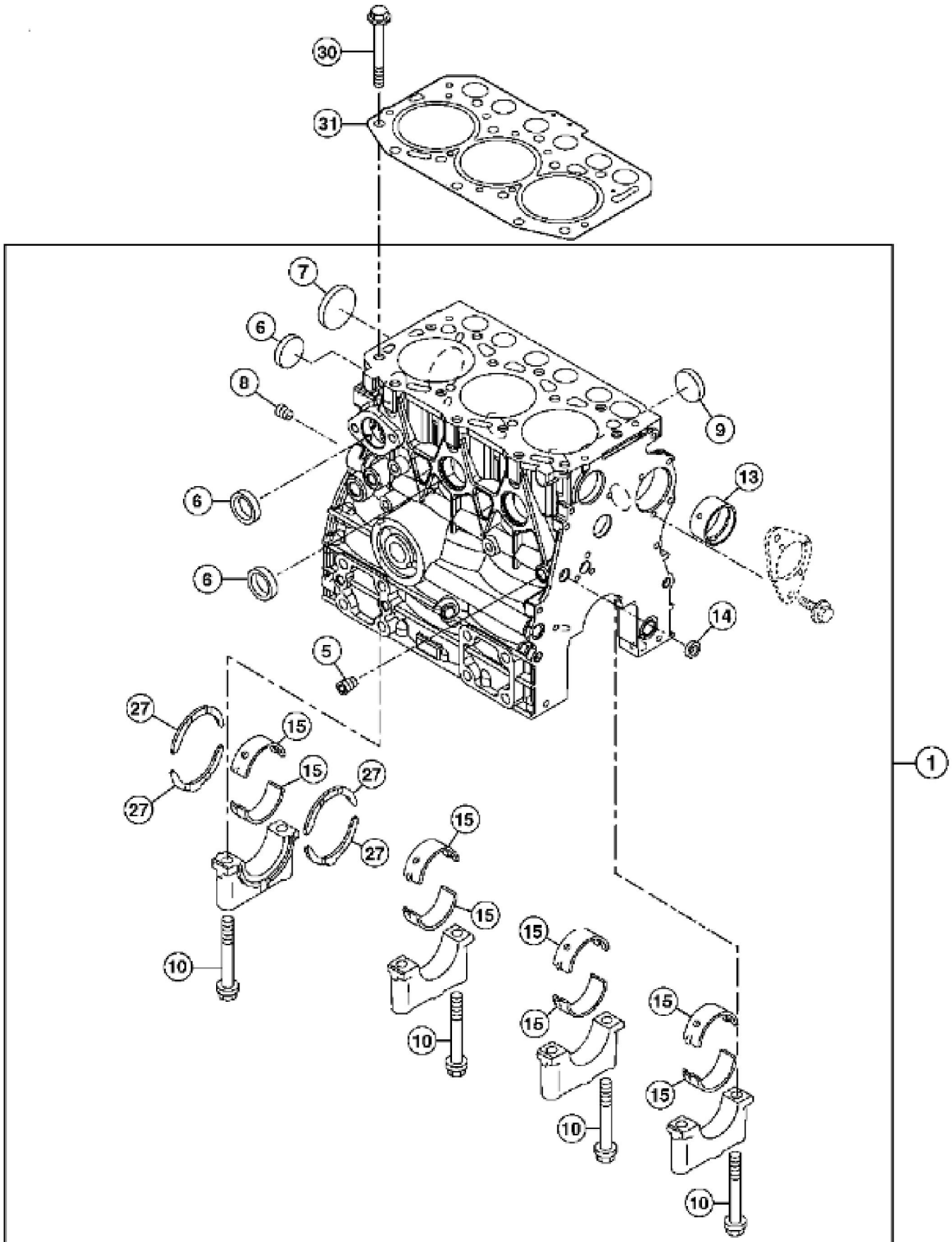
TX1014683

KEY	PART NO.	PART NAME	QTY	REMARKS	
1	MIA880282	CRANKSHAFT	1		
2	M802255	PIN	1	7.925 X 18.999 mm (5/16" X 0.748")	
5	M87812	SHAFT KEY	1		
6	M811864	GEAR	1		
8	M87887	BOLT	5		
9	MIA880592	FLYWHEEL	1		
12	RING GEAR	1		
13	MIU800625	PULLEY	1		
14	M800075	BOLT	1		
15	M800308	WASHER	1		
16	MIA880283	PISTON	3		
18	MIA880285	RING	3		
18	MIA880286	RING	3	(O.S.=0.25)	
22	MIU800313	PISTON PIN	3		
23	CH11486	RING	6		
24	MIA880289	CONNECTING ROD	3		
28	M811880	BUSHING	3		
29	M811877	BOLT	6		
30	MIA880560	BEARING	3		
30	MIA880565	BEARING	3	(U.S.=0.25)	



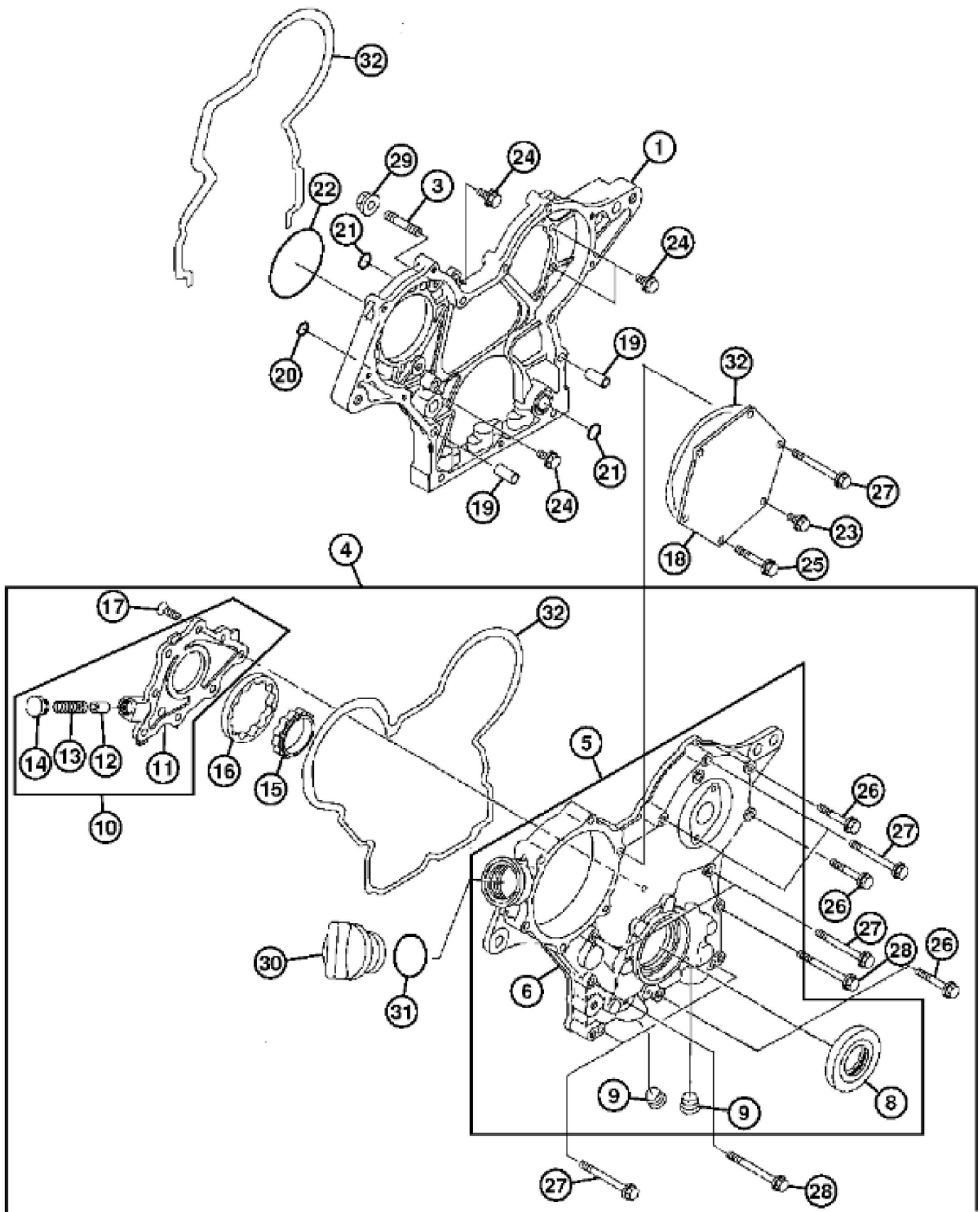
TX1014681

KEY	PART NO.	PART NAME	QTY	REMARKS	
1	M87813	TAPPET	6		
2	MIU800308	PUSH ROD	6		
3	MIA880536	CAMSHAFT	1		
9	M87819	BOLT	2		
10	M811882	SHAFT	1		
11	MIA880570	IDLER GEAR	1		
14	M87871	BOLT	3		
15	M89128	BOLT	3		
16	M811884	GEAR	4		
17	FLANGE	1	(NLA)	
18	12M7067	LOCK WASHER	1	12 mm	
19	14M7275	NUT	1	M12	



TX1014655

KEY	PART NO.	PART NAME	QTY	REMARKS	
1	CYLINDER BLOCK	1	(NLA)	
5	CH10314	PLUG	1		
6	M811805	PLUG	4		
7	M809593	PLUG	1		
8	CH10335	PLUG	1		
9	M811807	PLUG	3		
10	M87879	BOLT	8		
13	MIU800572	CAMSHAFT	1		
14	M87801	PLUG	1		
15	MIA880551	BEARING	4		
15	BEARING	4	(NLA) (US=0.25)	
27	AM882419	THRUST BEARING	2		
27	MIA880557	BEARING	2	(0.25=OS)	
30	MIU800287	BOLT	14		
31	MIU800288	GASKET	1		



TX1014669

Thank you so much for reading.
Please click the “Buy Now!”
button below to download the
complete manual.



After you pay.

You can download the most
perfect and complete manual in
the world immediately.

Our support email:

ebooklibonline@outlook.com