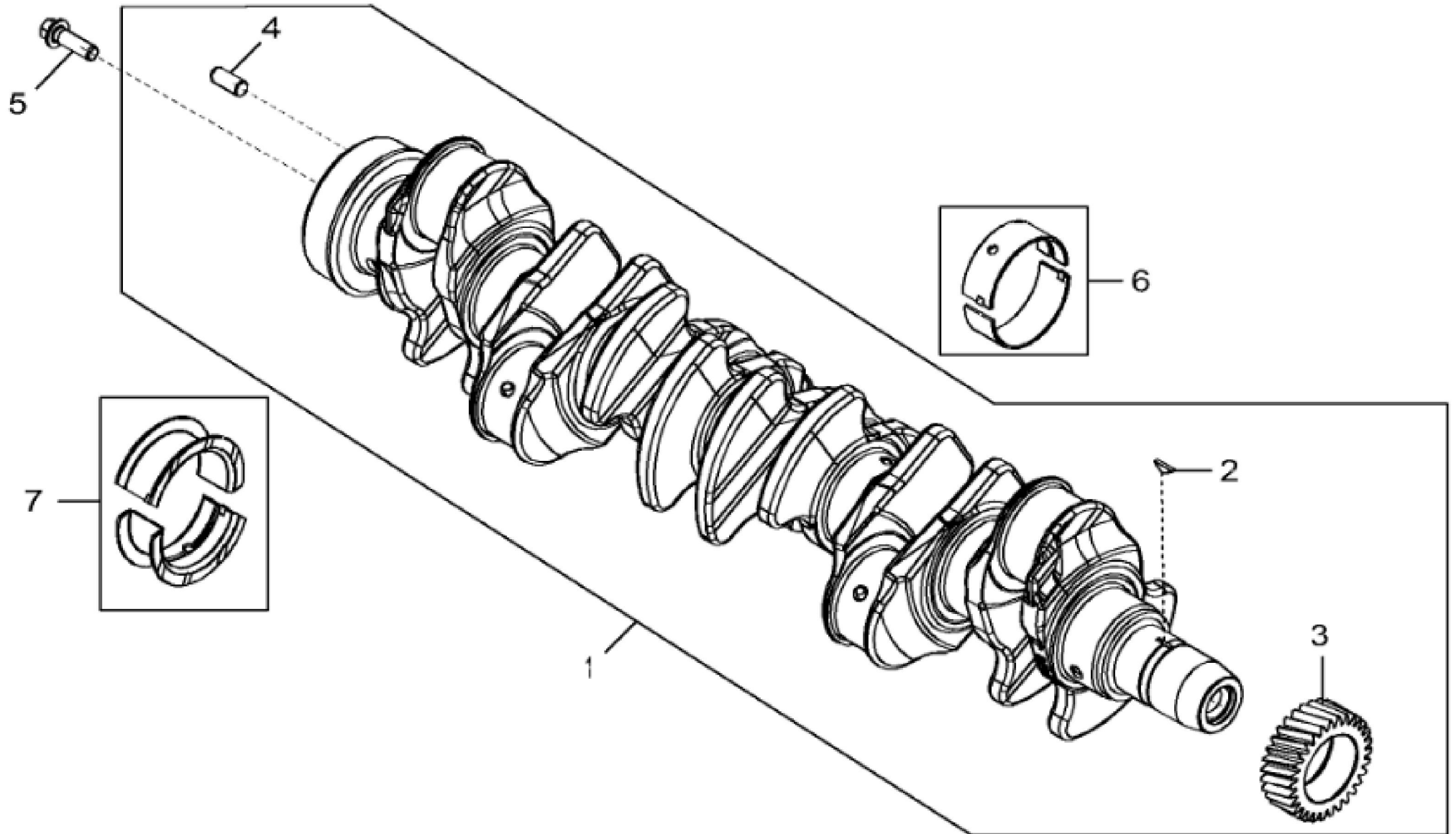


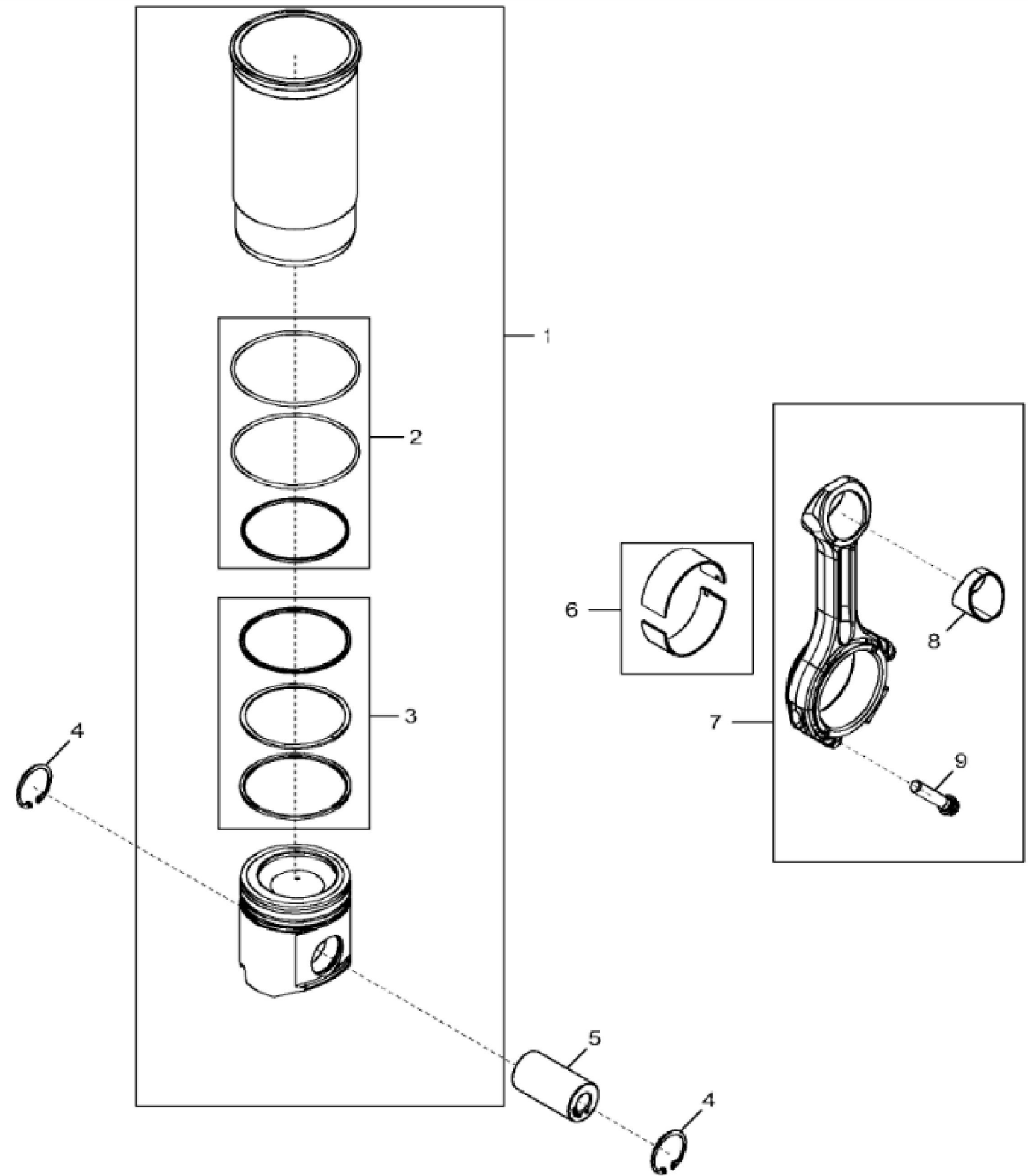
6068HT063 >ST2892 - 4644 CYLINDER BLOCK

KEY	PART NO.	PART NAME	QTY	REMARKS	
1	...	CYLINDER BLOCK	2	MARKED R504850	
2	15H584	PIPE PLUG	1	1/2"	
3	A120R	DOWEL PIN	4		
4	R131182	ORIFICE	6		
5	T18891	PLUG	2		
6	RE508185	FITTING	2		
7	U13639	O-RING	1		
8	R132186	BEARING CAP	1	SUB FOR R114240	
9	R535005	CAP SCREW	14	SUB FOR T23474 AND RE546403	
10	R114241	BEARING CAP	6		
11	15H695	PIPE PLUG	1	3/8", SUB FOR 15H623	
12	R97185	O-RING	1		
13	D2361R	BALL	1		
14	B153R	DOWEL PIN	2		
15	R121043	VALVE	1		
16	R111137	SPRING	1		
17	RE505501	BLEED VALVE	1		
18	R131425	COMPRESSION SPRING	1		
19	R119874	BUSHING	1		
20	R116466	PLUG	1		
21	RE42713	PIPE PLUG	7	SUB FOR RE71255	
22	RE507807	PIPE PLUG	1		



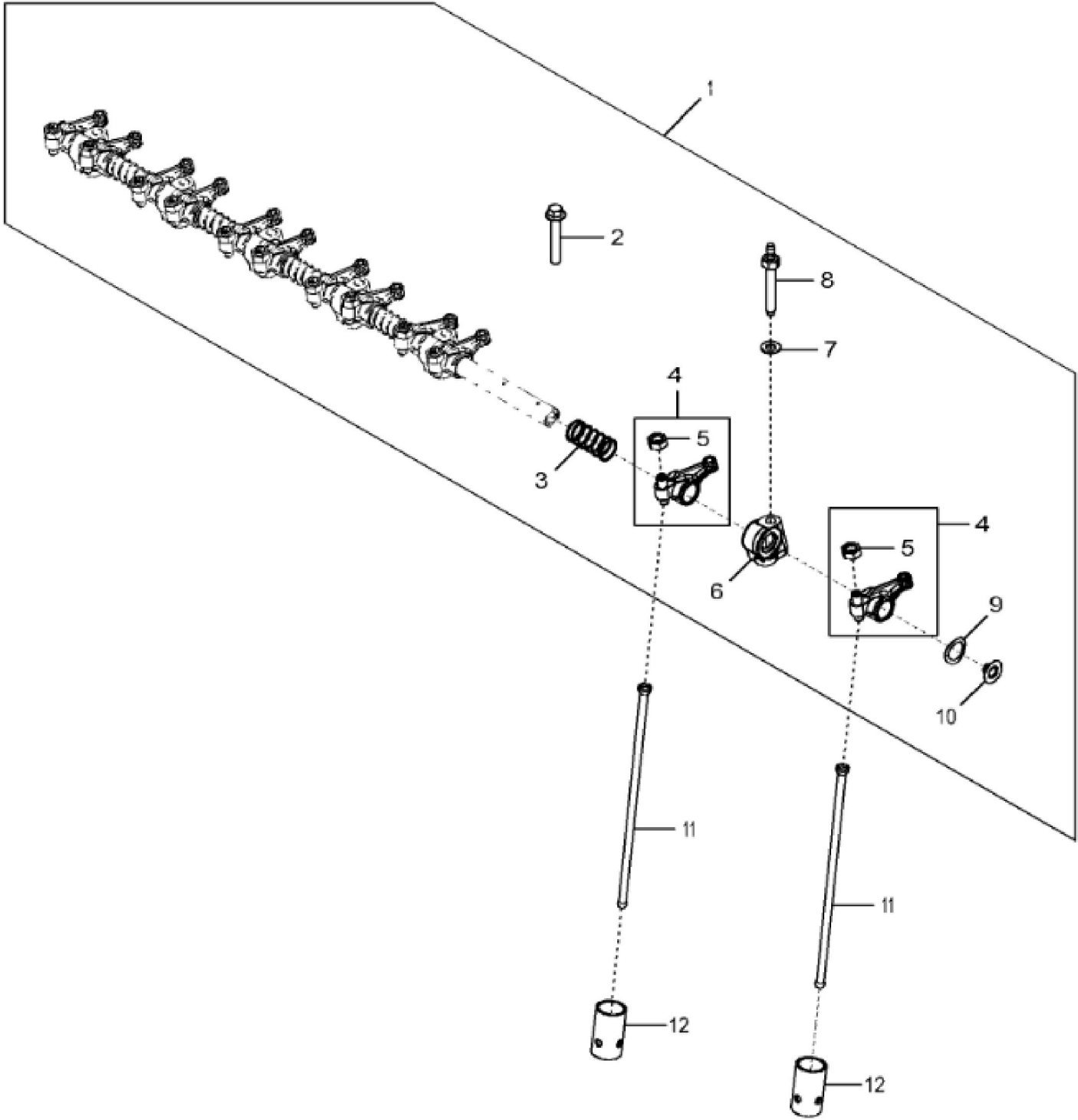
6068HT063 >ST816629 - 4712 CRANKSHAFT AND BEARINGS

KEY	PART NO.	PART NAME	QTY	REMARKS
1	RE505921	CRANKSHAFT	1	MARKED R503470; ALSO ORDER RE537070 AND RE537071
1	SE501655	CRANKSHAFT REMAN	1	(With Bearings) REMAN FOR RE505921
2	R505609	SHAFT KEY	1	LGTH = 18.5 mm
3	R120631	GEAR	1	Z = 30
4	R48685	DOWEL PIN	1	SUB FOR A120R
5	R135918	BOLT	6	
6	RE65165	BEARING KIT	6	STD, Kit, R123561 AND R123562
6	RE65911	BEARING	AR	US = 0.254 mm, Kit, R130576 AND R130577
7	RE65168	BEARING KIT	1	STD, Kit, R123564 AND R123563
7	RE65912	THRUST BEARING	AR	US = 0.254 mm, Kit, R130574 AND R130575



6068HT063 >ST569320 - 4839 CONNECTING RODS AND PISTONS

KEY	PART NO.	PART NAME	QTY	REMARKS	
1	RE536083	PISTON-LINER KIT	6	SUB FOR RE527843	
2	AR65507	O-RING KIT	1		
3	RE507852	PISTON RING KIT	1		
4	R54114	SNAP RING	12		
5	R502755	PISTON PIN	6		
6	RE65908	BEARING	6		
7	RE500608	CONNECTING ROD	6		
7	SE501094	CONNECTING ROD REMAN	AR	REMAN FOR RE500608	
8	R114082	BUSHING	1		
9	R501124	SCREW	2		



Thank you so much for reading.
Please click the “Buy Now!”
button below to download the
complete manual.



After you pay.

You can download the most
perfect and complete manual in
the world immediately.

Our support email:

ebooklibonline@outlook.com