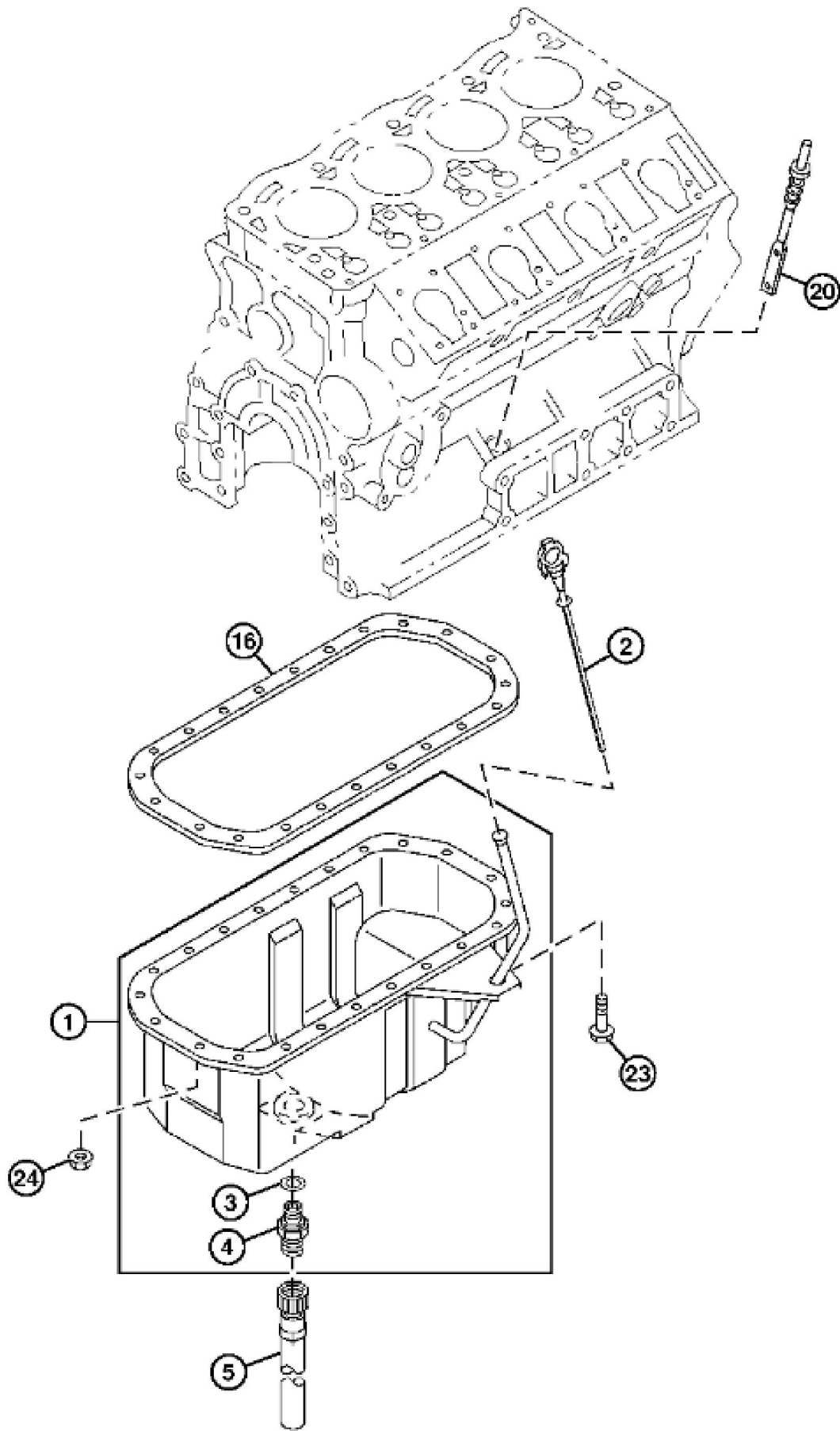
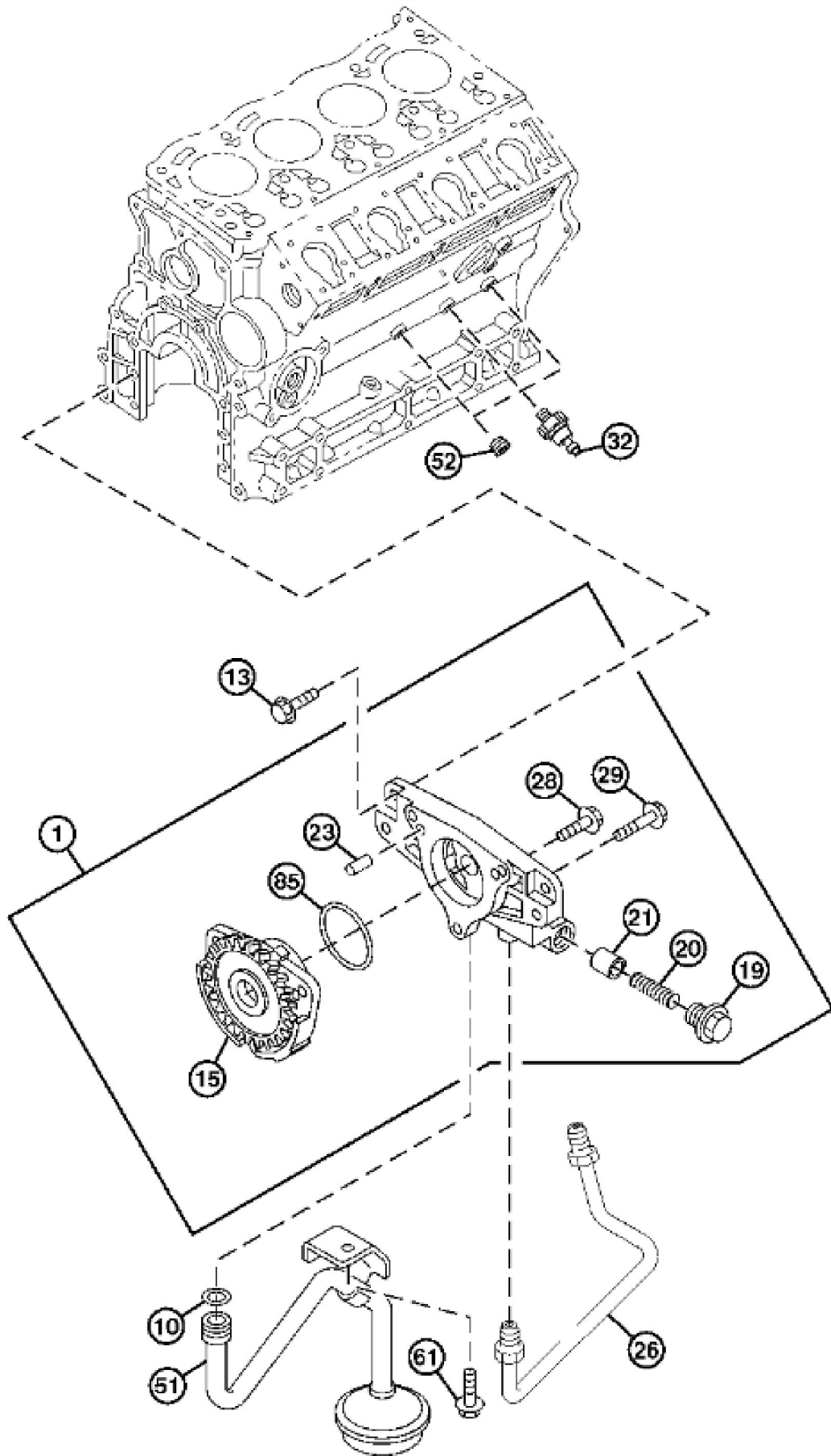


KEY	PART NO.	PART NAME	QTY	REMARKS
1	8980894850	CYLINDER BLOCK	1	
2	8980711013	HOUSING	1	SUB FOR 8980711011 OR 8980711012
3	8941268220	SENSOR	1	
6	8942298530	PLUG	1	
7	8972091152	SOLENOID	1	
8	9095714140	GASKET	2	
14	0280506120	BOLT	4	M6 X 12
20	8980637570	STUD	8	
21	0281510250	BOLT	6	M10 X 25
29	8971189892	COVER	1	
30	0410106160	STUD	3	M6 X 16, 25 mm, SUB FOR 8972621471
30	8972621481	STUD	1	M6 X 19, 27 mm
40	8970394953	PIN	2	
41	8942170020	DOWEL PIN	2	SUB FOR 8942008190
42	8970471421	PLUG	1	
43	1096000122	PLUG	1	
44	8973296220	NUT	2	M6
48	8972207400	COVER	2	
61	9081506160	PIN FASTENER	6	
72	8972310302	RETAINER	1	
75	5096250940	SEAL	1	
83	9081508160	PIN FASTENER	2	
85	0280506200	BOLT	8	M6 X 20
89	5096000130	SEAL	4	



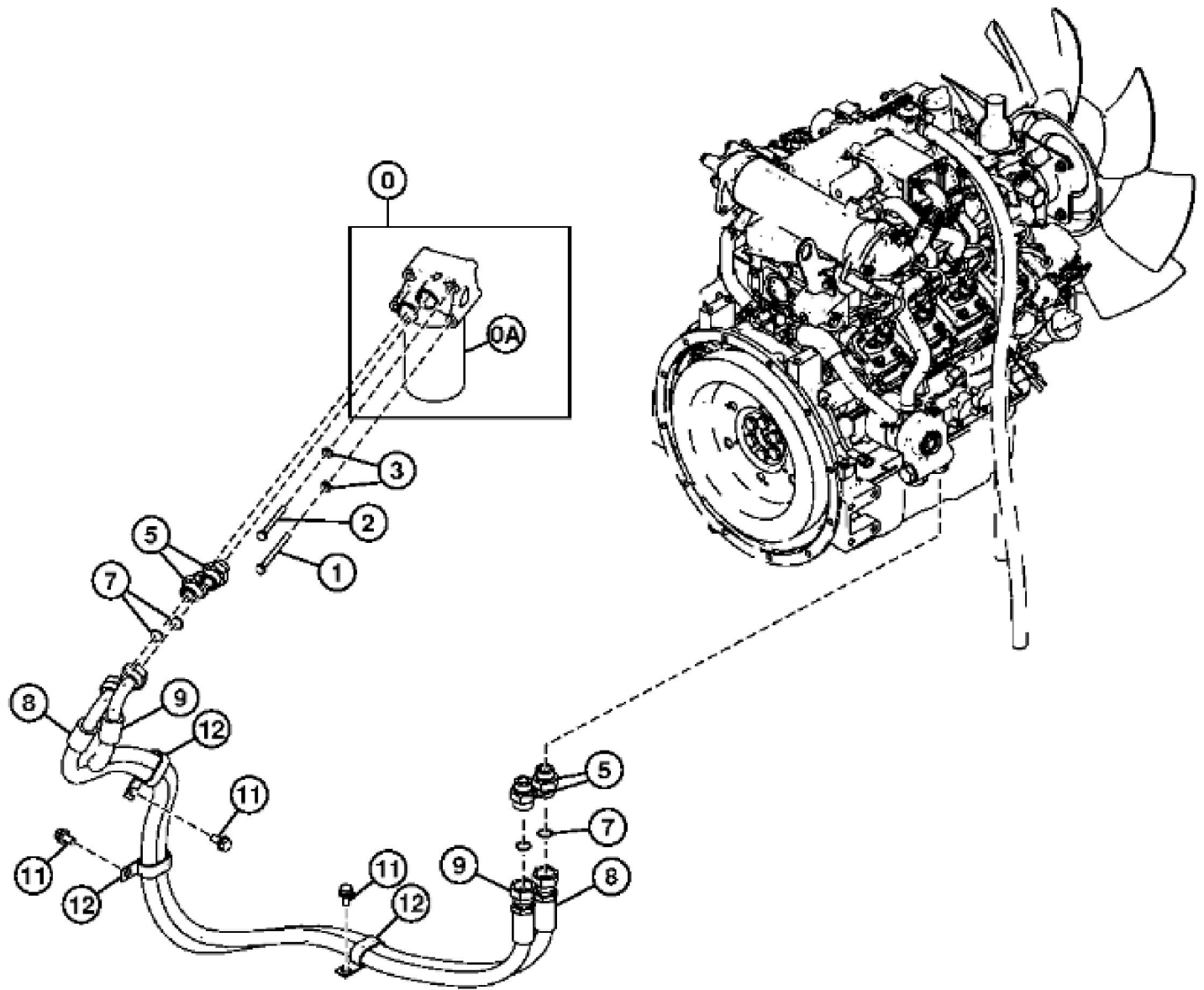
TX1036626

KEY	PART NO.	PART NAME	QTY	REMARKS	
1	8980788910	PAN	1		
2	8980490351	GAUGE	1	SUB FOR 8980490350	
3	1096300900	GASKET	1		
4	8981442470	PLUG	1	SUB FOR 1096801060	
5	8982534070	HOSE	1	SUB FOR 8973880231	
16	8973149140	GASKET	1		
20	8981080300	PLUG	1	SUB FOR 8944584720	
23	8980797910	BOLT	18	M6	
24	8973296220	NUT	4	M6	



TX1036628

KEY	PART NO.	PART NAME	QTY	REMARKS	
1	8980957682	OIL PUMP	1	SUB FOR 8980636630, 8980957681	
10	1096234960	O-RING	1		
13	0280508300	BOLT	4	M8 X 30	
15	8970835761	FUEL INJECTION PUMP	1		
19	8941046150	FITTING PLUG	1		
20	8980638210	SPRING	1		
21	8942355671	PRESSURE RELIEF VALVE	1		
23	9081506160	PIN FASTENER	2		
26	8970454000	OIL LINE	1		
28	0280506300	BOLT	2	M6 X 30	
29	0280506500	BOLT	1	M6 X 50	
32	1824100330	PRESSURE SENSOR	1	(SUB FOR 1824100082)	
51	8980979560	OIL LINE	1	(SUB FOR 8980305620)	
52	8973695521	PLUG	2		
61	0280508160	BOLT	1	M8 X 16	
85	8971096790	O-RING	1		



Thank you so much for reading.
Please click the “Buy Now!”
button below to download the
complete manual.



After you pay.

You can download the most
perfect and complete manual in
the world immediately.

Our support email:

ebooklibonline@outlook.com