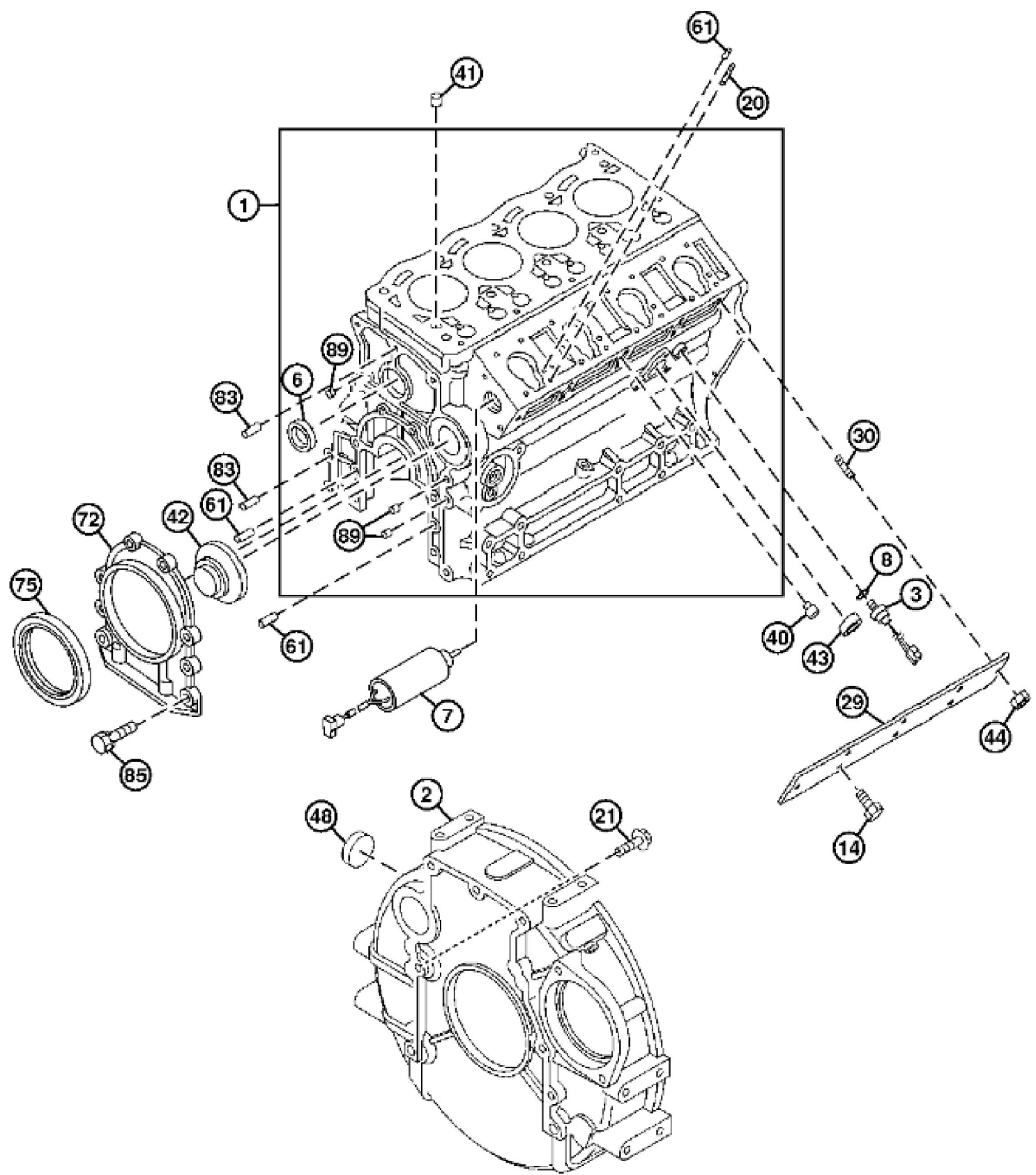
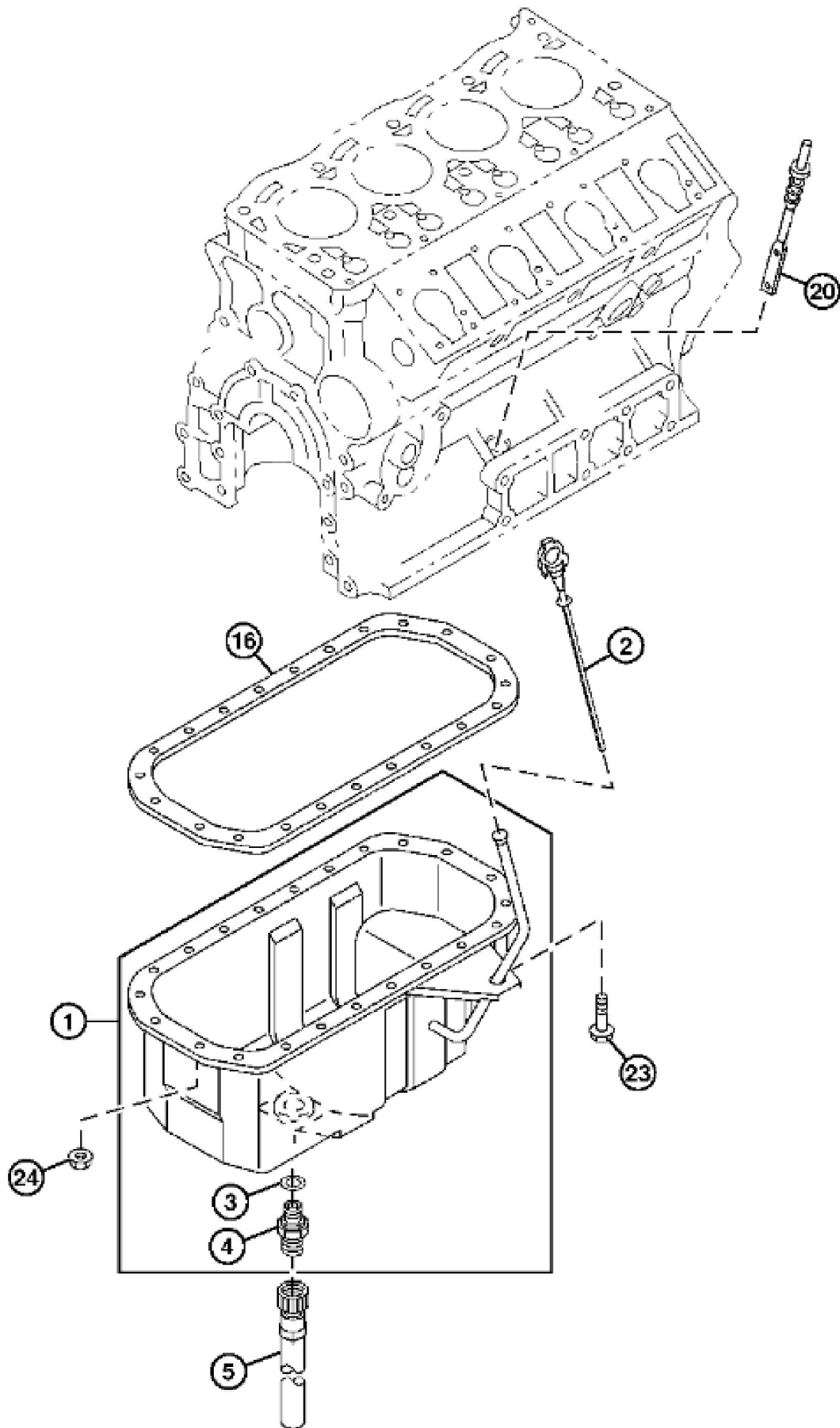


KEY	PART NO.	PART NAME	QTY	REMARKS
1	8980894850	CYLINDER BLOCK	1	
3	8973517040	SEAL	1	
5	8942298530	PLUG	4	
6	8972096090	SEAL	1	
7	9096640010	FITTING PLUG	1	1/4 in.
8	8941674701	BOLT	10	
10	8973034112	GEAR CASE	1	Components On Separate Page, SUB FOR 8973034111
13	0410108600	STUD	1	M8 X 60, 72 mm
13	8972621461	STUD	1	M8 X 50, 62 mm
15	1096050190	PIPE PLUG	1	1/4 in.
16	9092045100	PLUG	1	
17	9095714160	GASKET	1	
22	8971757031	VALVE	1	SUB FOR 8971757030
23	8972621461	STUD	1	M8 X 50, 62 mm
31	8944256852	CAP	1	
32	8941236231	GASKET	1	
36	0280808600	BOLT	6	M8 X 60, SUB FOR 0280508600
37	0280508800	BOLT	2	M8 X 80
39	8980637940	BEARING	1	
40	14M7298	FLANGE NUT	2	M8, SUB FOR 0911802080
41	9112290581	DOWEL PIN	4	
43	5096000130	SEAL	1	
54	0410106200	STUD	4	M6 X 20, 28 mm
89	5096000130	SEAL	2	

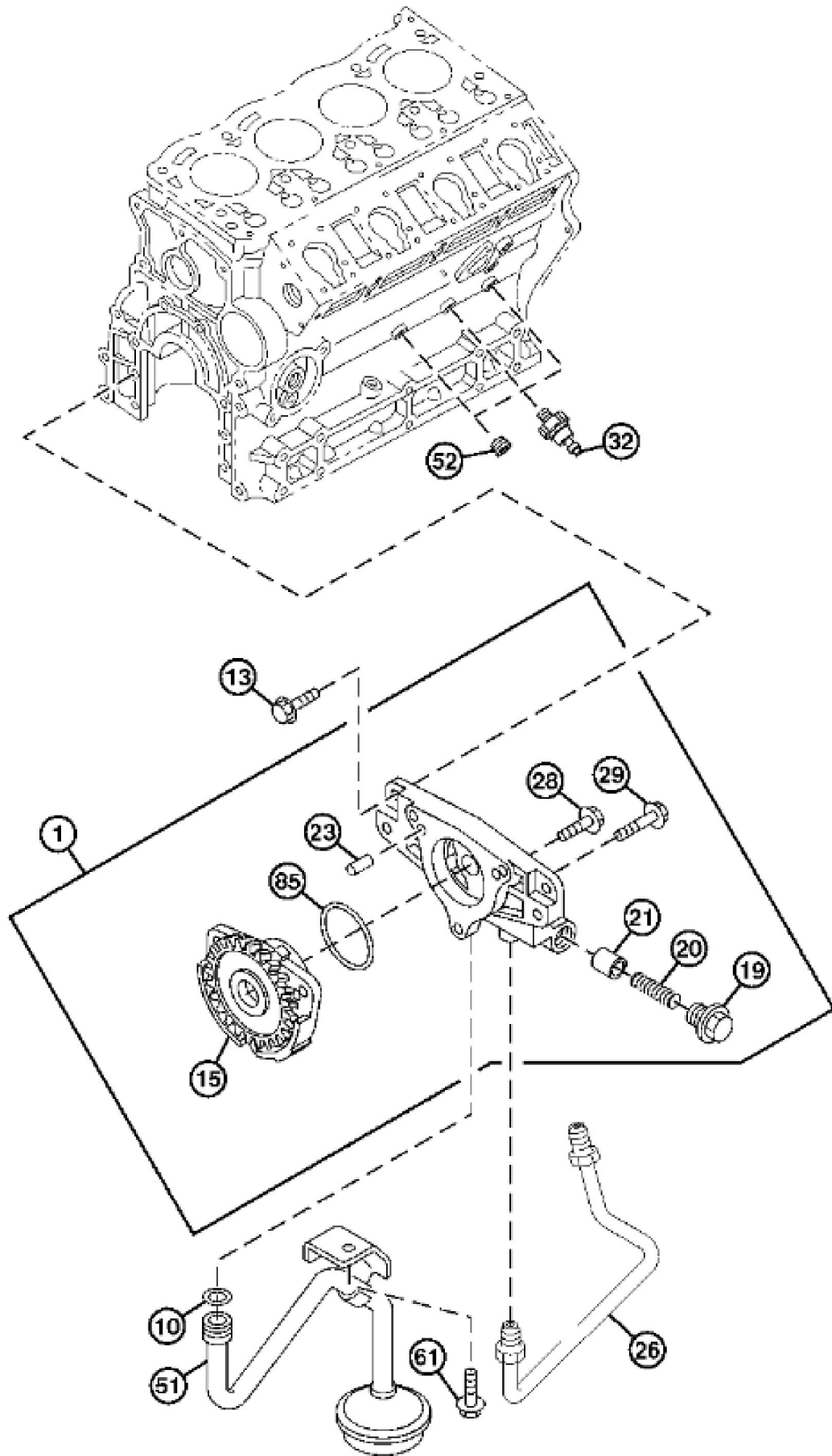


KEY	PART NO.	PART NAME	QTY	REMARKS
1	8980894850	CYLINDER BLOCK	1	
2	8980711013	HOUSING	1	SUB FOR 8980711011 OR 8980711012
3	8941268220	SENSOR	1	
6	8942298530	PLUG	1	
7	8972091152	SOLENOID	1	
8	9095714140	GASKET	2	
14	0280506120	BOLT	4	M6 X 12
20	8980637570	STUD	8	
21	0281510250	BOLT	6	M10 X 25
29	8971189892	COVER	1	
30	0410106160	STUD	3	M6 X 16, 25 mm, SUB FOR 8972621471
30	8972621481	STUD	1	M6 X 19, 27 mm
40	8970394953	PIN	2	
41	8942170020	DOWEL PIN	2	SUB FOR 8942008190
42	8970471421	PLUG	1	
43	1096000122	PLUG	1	
44	8973296220	NUT	2	M6
48	8972207400	COVER	2	
61	9081506160	PIN FASTENER	6	
72	8972310302	RETAINER	1	
75	5096250940	SEAL	1	
83	9081508160	PIN FASTENER	2	
85	0280506200	BOLT	8	M6 X 20
89	5096000130	SEAL	4	



TX1036626

KEY	PART NO.	PART NAME	QTY	REMARKS	
1	8980788910	PAN	1		
2	8980490351	GAUGE	1	SUB FOR 8980490350	
3	1096300900	GASKET	1		
4	8981442470	PLUG	1	SUB FOR 1096801060	
5	8982534070	HOSE	1	SUB FOR 8973880231	
16	8973149140	GASKET	1		
20	8981080300	PLUG	1	SUB FOR 8944584720	
23	8980797910	BOLT	18	M6	
24	8973296220	NUT	4	M6	



TX1036628

Thank you so much for reading.  
Please click the “Buy Now!”  
button below to download the  
complete manual.



After you pay.

You can download the most  
perfect and complete manual in  
the world immediately.

Our support email:

[ebooklibonline@outlook.com](mailto:ebooklibonline@outlook.com)