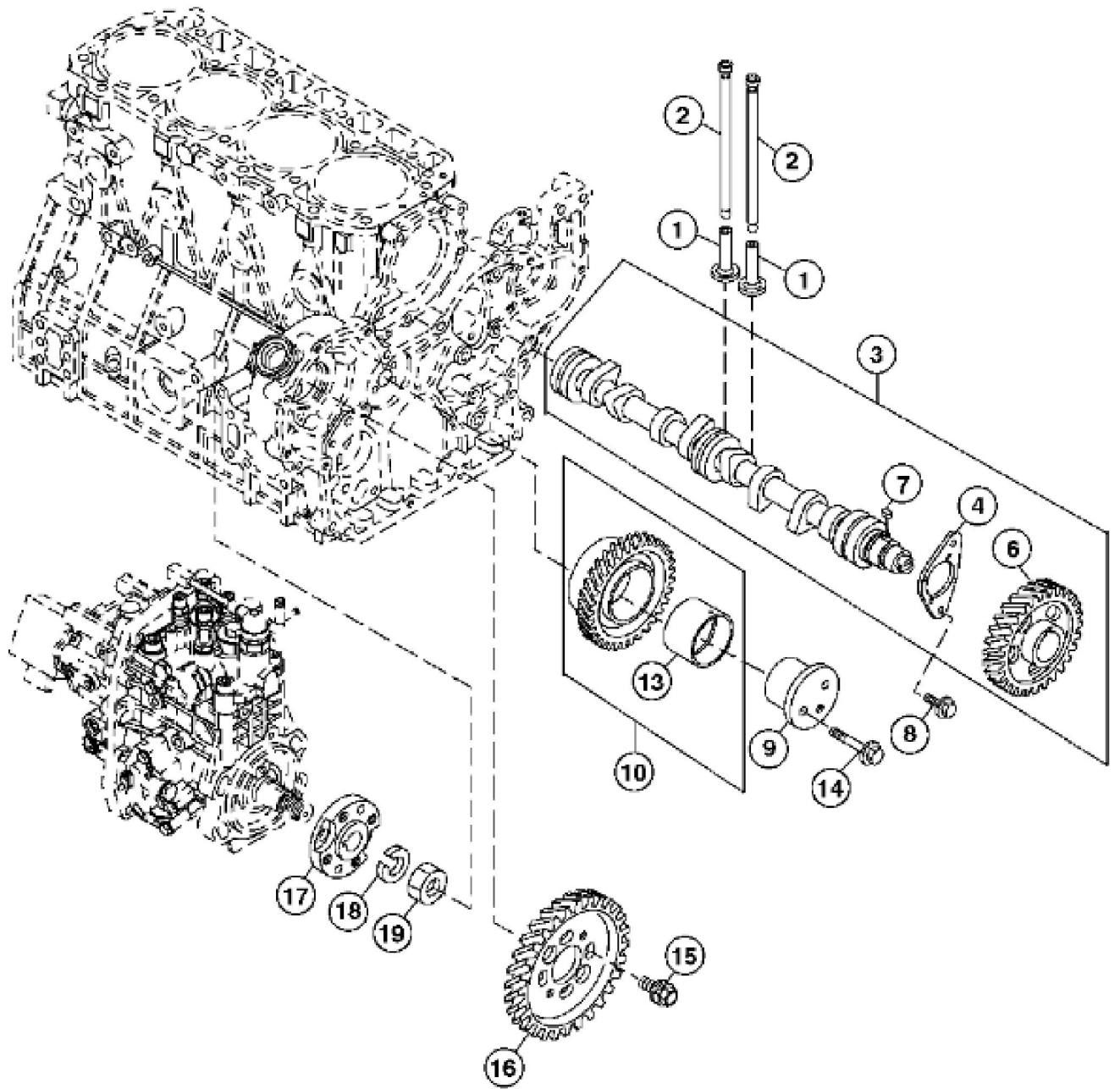


TX1057820

John Deere > Construction And Forestry > EXCAVATOR > 60D - EXCAVATOR > 60D Excavator > 04 ENGINE > 0401 CRANKSHAFT AND MAIN BEARING > ST55205 - CRANKSHAFT, CONNECTING RODS AND PISTONS

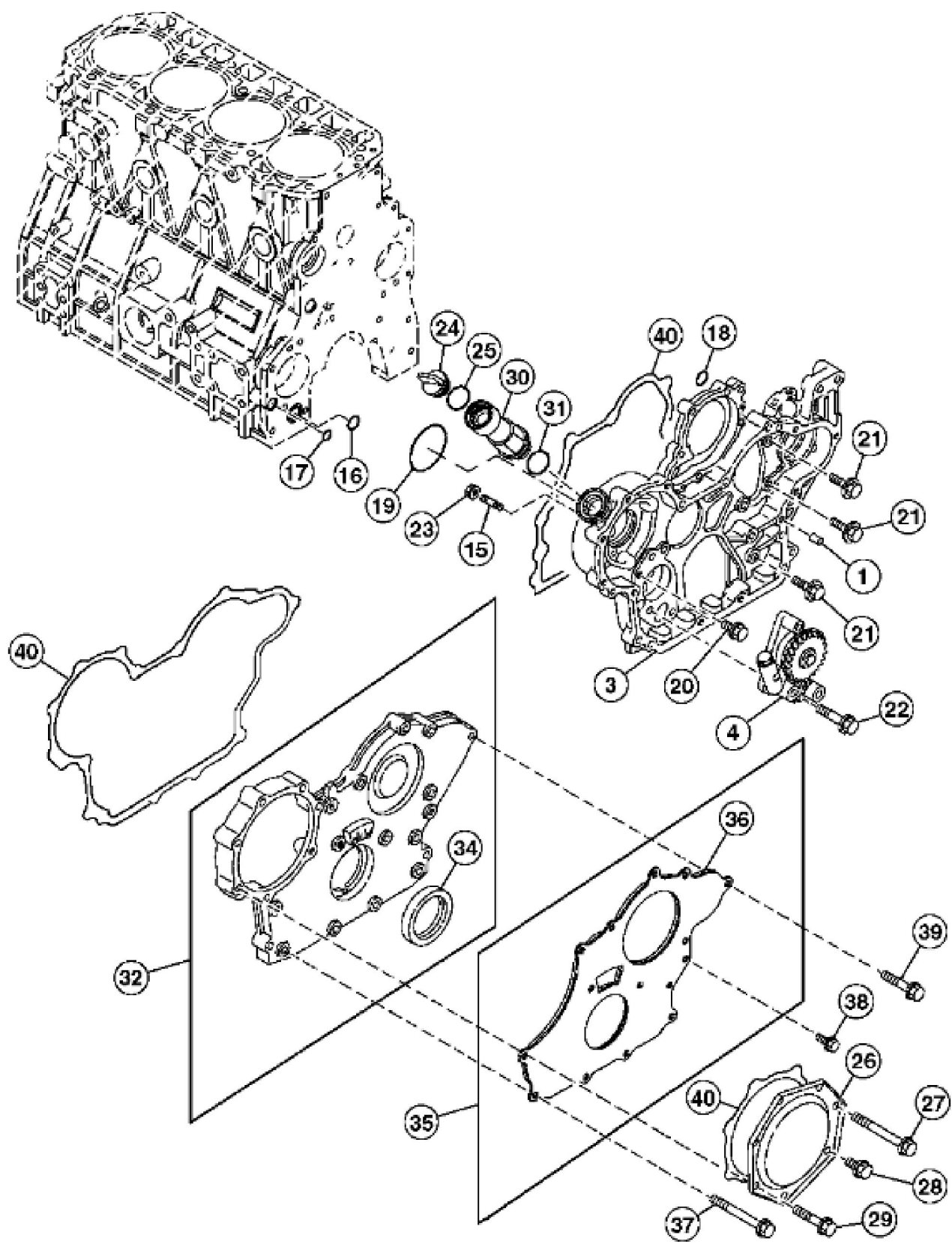
KEY	PART NO.	PART NAME	QTY	REMARKS
1	AT211731	CRANKSHAFT	1	
3	AT211734	GEAR	1	
4	CH16793	PIN	1	
5	CH16730	PIN	1	
6	M801045	SHAFT KEY	1	
7	MIU801099	BOLT	1	
8	MIU801167	PULLEY	1	
9	MIU803078	PULLEY	1	SUB FOR AT211960
10	MIU803077	PACKING	1	SUB FOR CH13807
11	CH16791	BOLT	6	
12	MIA881104	FLYWHEEL	1	
14	AT211965	RING GEAR	1	
15	MIA881145	PISTON	4	
15	MIA881230	PISTON KIT	4	.25, Order Separately, (OS) (NLA)
17	MIA881112	RING	4	
17	RING	4	.25, Order Separately, (OS) (NLA)
21	AT211746	PISTON PIN	4	
22	CH14432	RING	8	
23	MIA881093	CONNECTING ROD	4	
26	AT211751	SCREW	8	
27	MIA880564	BEARING	4	
27	MIA880569	BEARING	4	.25, Order Separately, (US)
29	MIU801252	BUSHING	4	(NLA)



TX1057821

KEY	PART NO.	PART NAME	QTY	REMARKS	
1	M801046	CAM FOLLOWER	8		
2	MIU801081	PUSH ROD	8		
3	MIA881102	CAMSHAFT	1		
4	M801237	THRUST BEARING	1		
6	AT211730	GEAR	1		
7	M801045	SHAFT KEY	1		
8	CH18390	BOLT	2		
9	MIU801011	SHAFT	1		
10	AT211755	GEAR	1		
13	M801050	BUSHING	1		
14	19M7979	SCREW	3	M8 X 55, SUB FOR CH19090	
15	MIU801177	BOLT	4		
16	MIU801082	GEAR	1		
17	MIU801209	PLATE	1		
18	M800903	WASHER	1		
19	CH15477	NUT	1		

KEY	PART NO.	PART NAME	QTY	REMARKS	
1	MIA882700	SHORT BLOCK ASSEMBLY	1	SUB FOR MIA881229	
4	M809594	PLUG	1		
5	CH18379	PLUG	1		
6	AT211653	BOLT	10		
9	AT211656	BUSHING	1		
10	CH18079	SPRING PIN	2		
11	M806938	PLUG	1		
12	M806938	PLUG	1		
13	M806938	PLUG	1		
14	CH10642	PLUG	8		
24	MIA880556	BEARING	2		
24	MIA880558	BEARING	2	.25, Order SeparatelyNot Included In Assembly, (OS)	
27	AT211658	BOLT	18		
28	MIU801057	GASKET	1		
29	MIA880548	BEARING	5		
29	MIA880547	BEARING	5	.25, Order SeparatelyNot Included In Assembly, (OS)	



TX1057825

Thank you so much for reading.
Please click the “Buy Now!”
button below to download the
complete manual.



After you pay.

You can download the most
perfect and complete manual in
the world immediately.

Our support email:

ebooklibonline@outlook.com