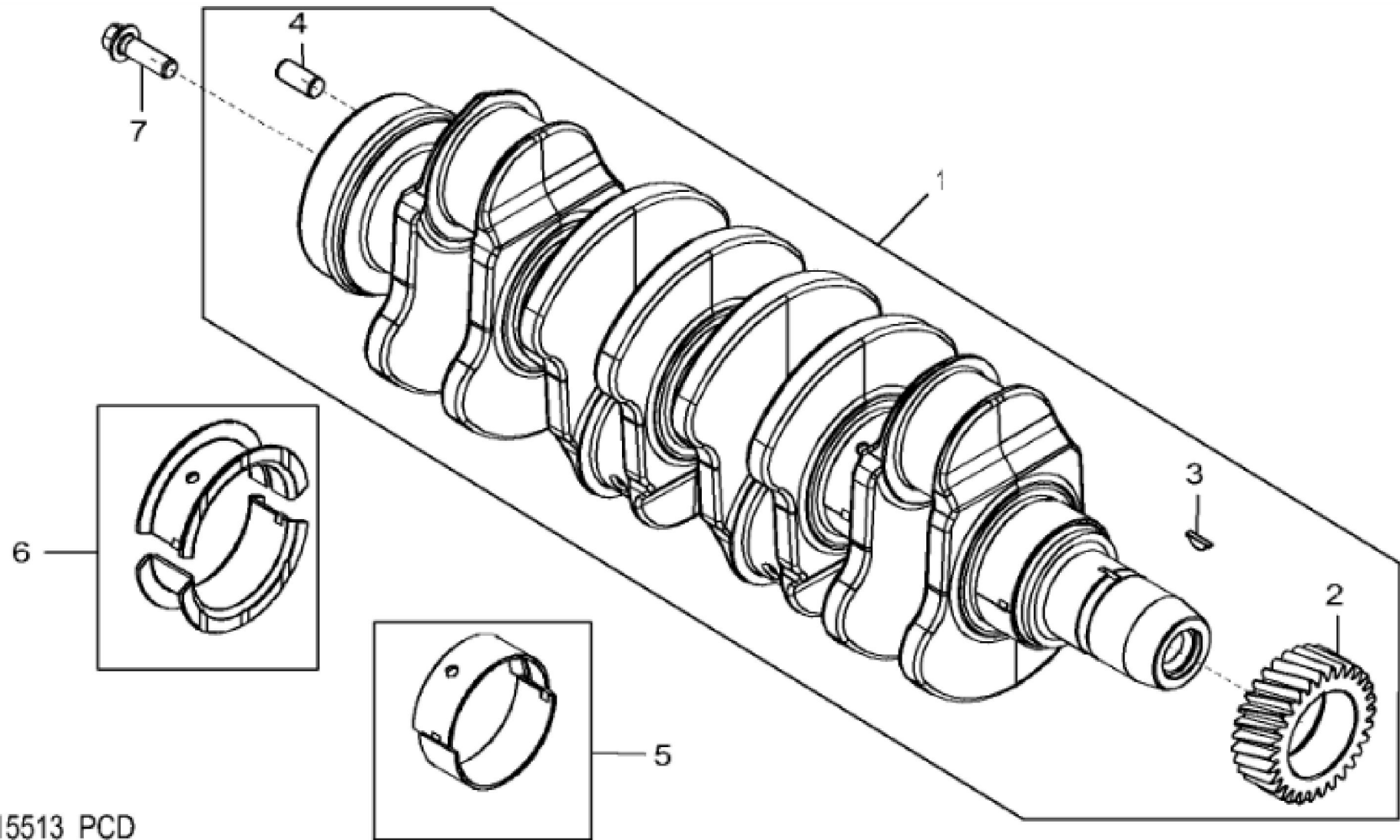
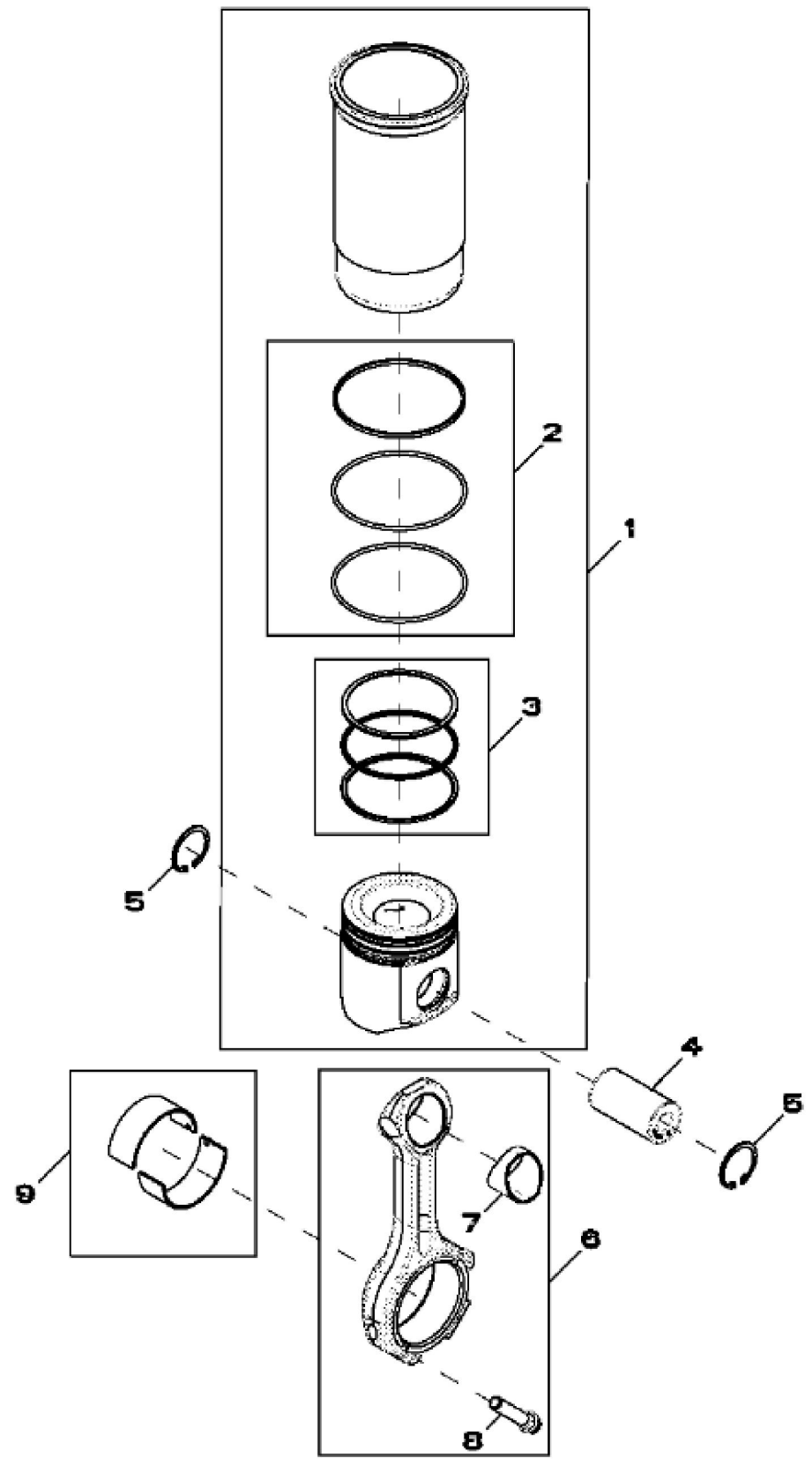


KEY	PART NO.	PART NAME	QTY	REMARKS
1	CYLINDER BLOCK	1	ORDER RE532716
1	RE532716	SHORT BLOCK ASSEMBLY	1	MARKED R534172
2	R114240	BEARING CAP	1	
3	R114241	BEARING CAP	4	
4	R535005	CAP SCREW	10	
5	R119874	BUSHING	1	
6	R115299	BUSHING	6	
7	R116466	PLUG	1	
8	RE71255	PIPE PLUG	5	
9	15H584	PIPE PLUG	1	1/2"
10	15H695	PIPE PLUG	1	3/8"
11	RE507807	PIPE PLUG	1	
12	RE505501	BLEED VALVE	1	
13	R131425	COMPRESSION SPRING	1	
14	R131182	ORIFICE	4	
15	B153R	DOWEL PIN	2	
16	A120R	DOWEL PIN	4	
17	T18891	PLUG	2	
18	R97185	O-RING	1	
19	R121043	VALVE	1	
20	R111137	SPRING	1	
21	RE508185	FITTING	2	
22	U13639	O-RING	1	



4715_RE515513_PCD

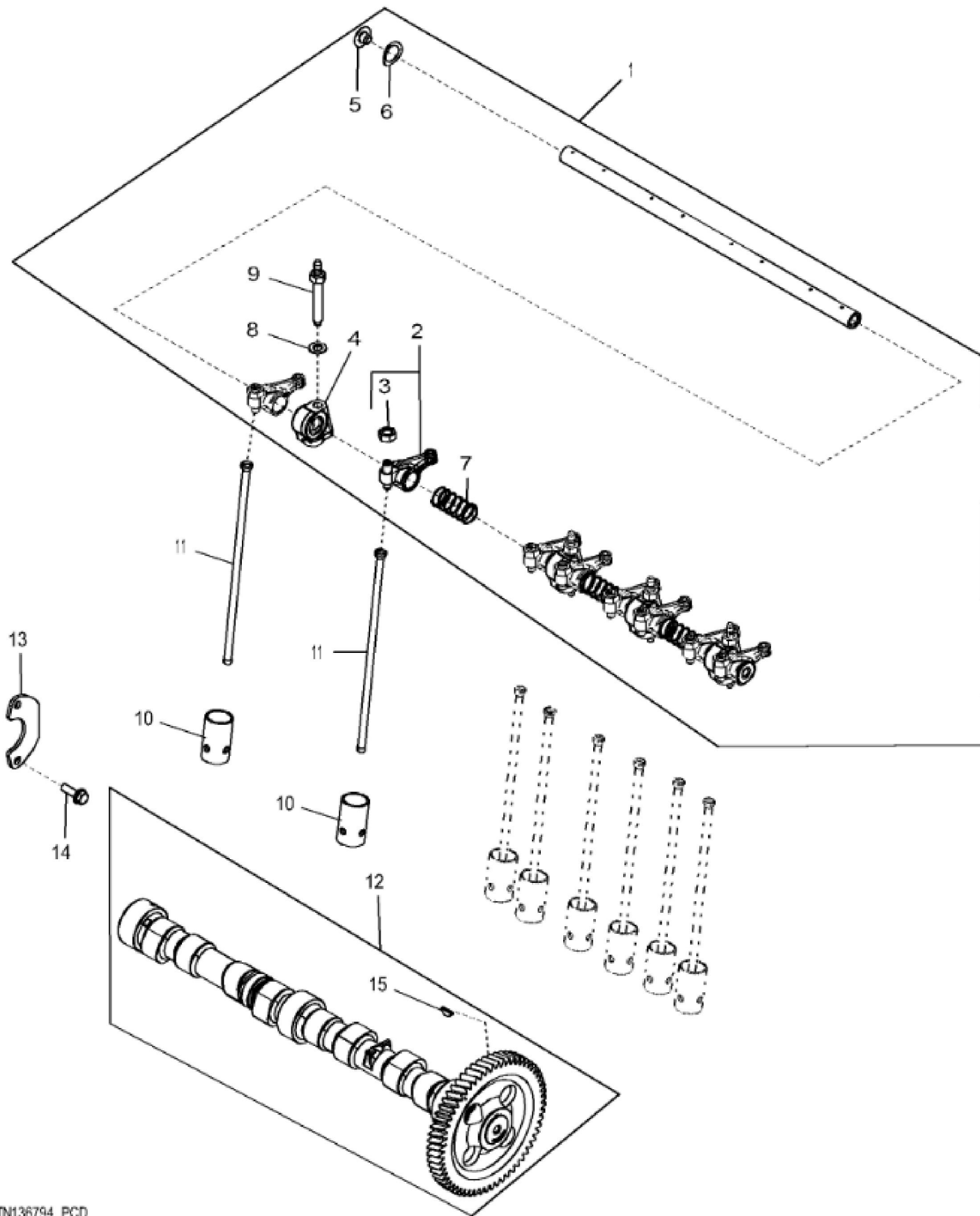
KEY	PART NO.	PART NAME	QTY	REMARKS
1	RE506195	CRANKSHAFT	1	(Grinding Guidelines : See CTM104) (Iron) ALSO ORDER RE538097 AND RE44574
1	SE501656	CRANKSHAFT REMAN	1	(With Bearings) REMAN FOR RE506195
2	R120631	GEAR	1	Z = 30
3	R505609	SHAFT KEY	1	
4	A120R	DOWEL PIN	1	
5	RE65165	BEARING KIT	4	STD KIT, MARKED R123561 AND R123562
5	RE65911	BEARING	1	US -0.254 MM , MARKED R130576 AND R130577
6	RE65168	BEARING KIT	1	STD KIT, MARKED R123563 AND R123564
6	RE65912	THRUST BEARING	1	US -0.254MM , MARKED R130576 AND R130577
7	R135918	BOLT	4	



RE525600PCDB05

John Deere > Construction And Forestry >DOZER, CRAWLER >550J - DOZER, CRAWLER >550J Crawler Dozer (Tier 3) (S.N. 159987-) >04 ENGINE 4045HT059 >0400 ENGINE 4045HT059 4045HT059
 >ST628064 - 4838 CONNECTING RODS AND PISTONS

KEY	PART NO.	PART NAME	QTY	REMARKS
1	RE527843	PISTON-LINER KIT	4	NLA; ORDER RE536083
1	RE536083	PISTON-LINER KIT	4	SUB FOR RE527843
2	AR65507	O-RING KIT	4	
3	RE507852	PISTON RING KIT	4	
4	R502755	PISTON PIN	4	OD = 41 mm; LGTH = 77 mm
5	R54114	SNAP RING	8	
6	RE500608	CONNECTING ROD	4	
6	SE501094	CONNECTING ROD REMAN	4	REMAN FOR RE500608
7	R114082	BUSHING	4	
8	R501124	SCREW	8	
9	RE65908	BEARING	4	INCLUDES (2) R113698



Thank you so much for reading.
Please click the “Buy Now!”
button below to download the
complete manual.



After you pay.

You can download the most
perfect and complete manual in
the world immediately.

Our support email:

ebooklibonline@outlook.com