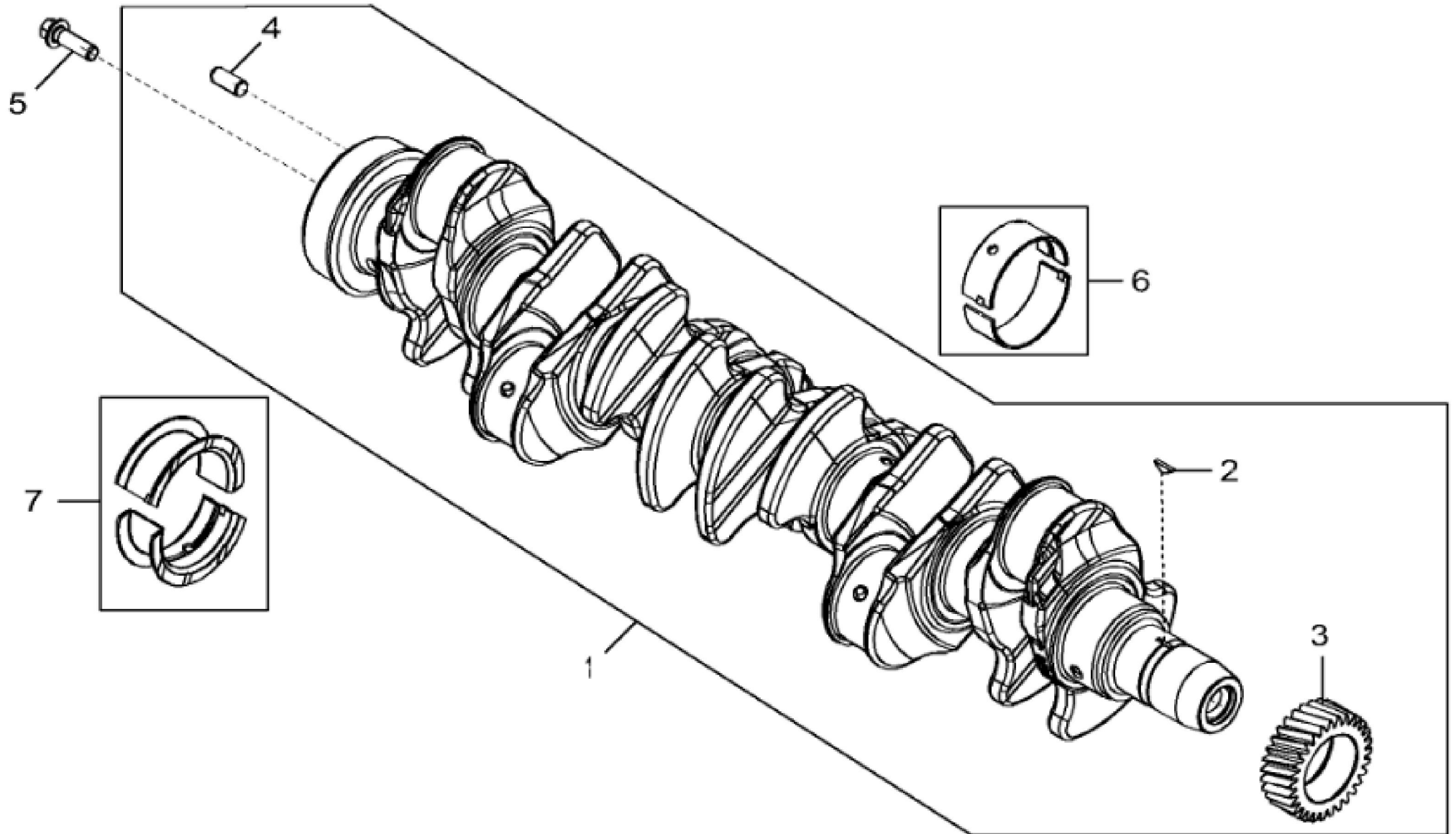
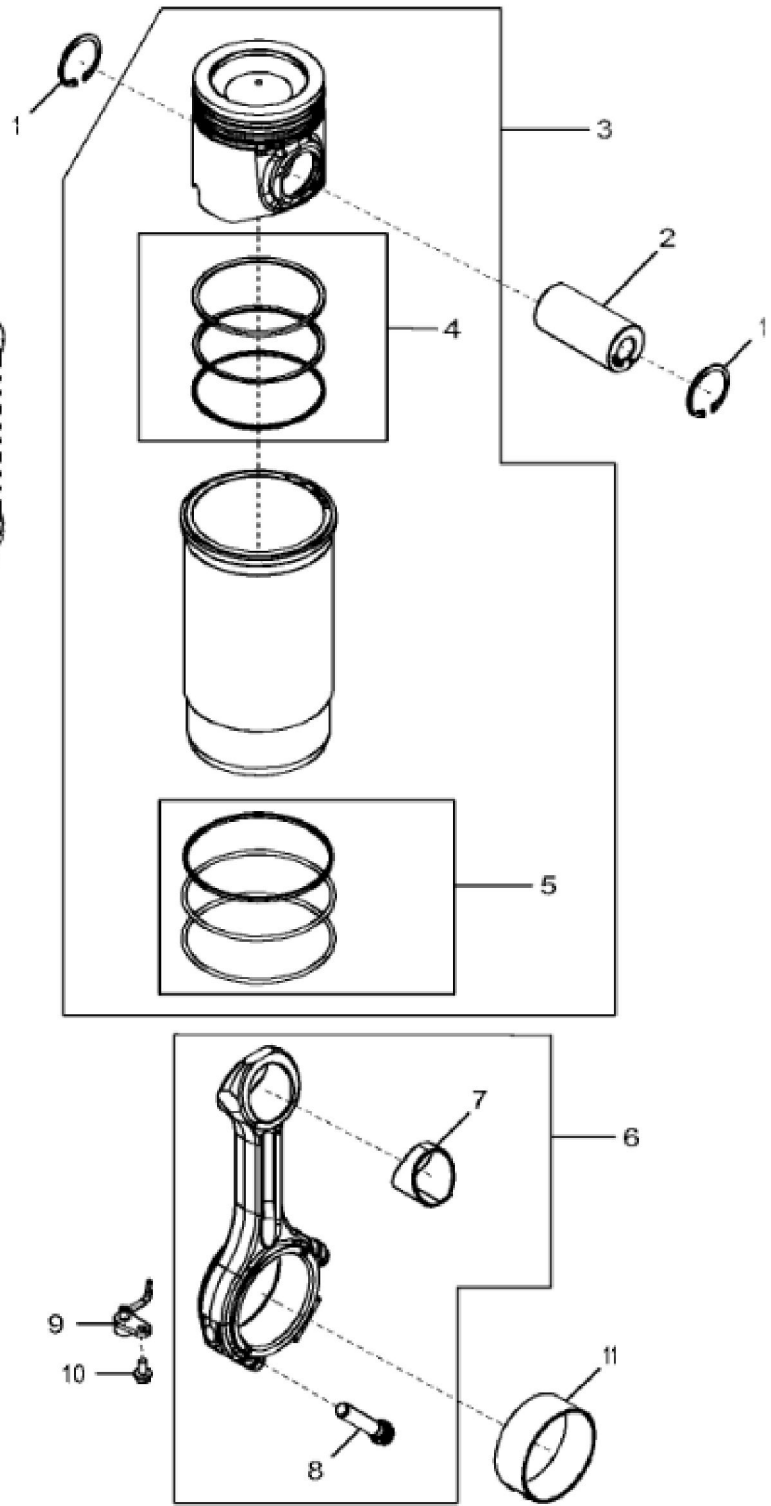
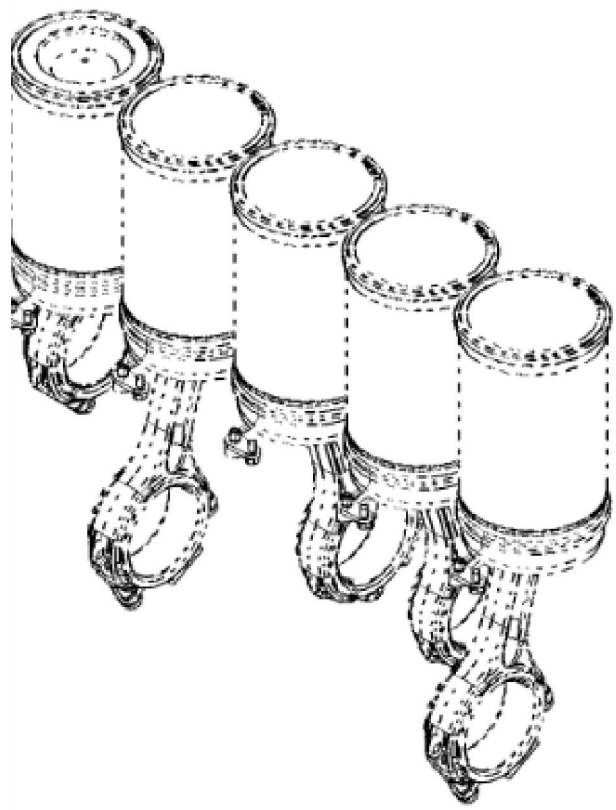


KEY	PART NO.	PART NAME	QTY	REMARKS
1	R26650	DOWEL PIN	2	
2	R116466	PLUG	1	
3	R119874	BUSHING	1	
4	30M7024	PLUG	1	
5	R26493	BUSHING	1	(Refer key 24 For More Information) ORDER DZ109926
6	R121043	VALVE	1	
7	R525706	CAP SCREW	14	
8	D2361R	BALL	1	
9	R97185	O-RING	1	
10	15H695	PIPE PLUG	1	3/8"
11	15H685	PIPE PLUG	1	1/4"
12	RE539116	FITTING	4	
13	51M7047	O-RING	4	23.600 X 2.900 mm
14	RE539115	FITTING	3	
15	51M7043	O-RING	3	15.300 X 2.200 mm
16	RE539114	FITTING	6	
17	51M7041	O-RING	6	11.300 X 2.200 mm
18	RE508185	FITTING	1	
19	U13639	O-RING	1	
20	T18891	PLUG	2	
21	R48685	DOWEL PIN	4	
22	.....	CYLINDER BLOCK	1	MARKED R530904; ORDER RE539717
22	RE539717	SHORT BLOCK ASSEMBLY	1	
23	R111137	SPRING	1	
24	DZ109926	BUSHING	1	USE WITH DZ109927 PRV, DZ106855 SPRING AND DZ109925 FITTING PLUG; ALSO ORDER A4827R SEALING WASHER



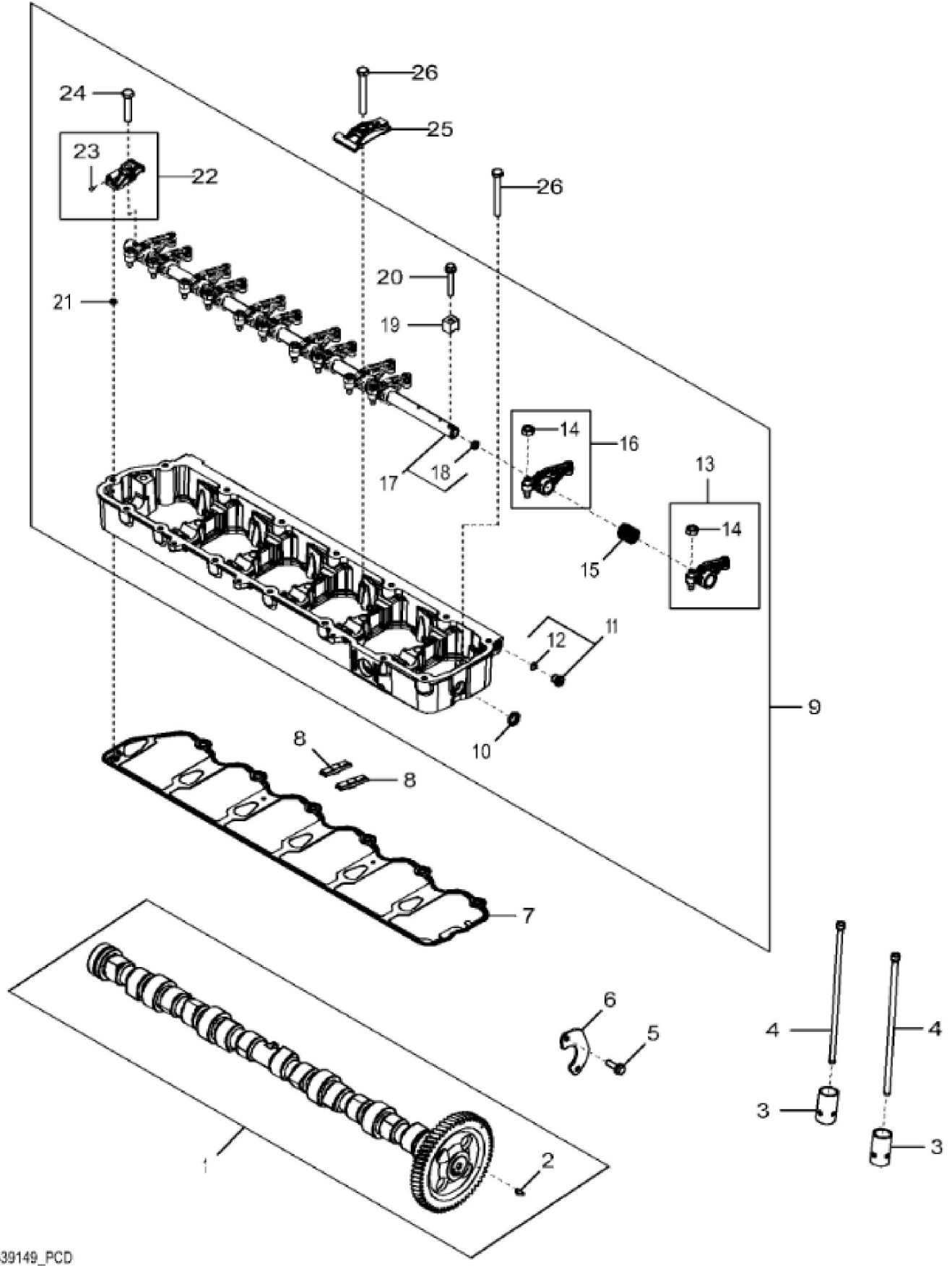
John Deere > Construction And Forestry >DOZER, CRAWLER >850K - DOZER, CRAWLER >850K Crawler Dozer (PIN: 1T0850KX\_\_E178122 - 271265) >04 ENGINE 6068HT080-RE541352 >0400 ENGINE 6068HT080-RE541352 6068HT080 >ST816629 - 4712 CRANKSHAFT AND BEARINGS

KEY	PART NO.	PART NAME	QTY	REMARKS
1	RE505921	CRANKSHAFT	1	MARKED R503470; ALSO ORDER RE537070 AND RE537071
1	SE501655	CRANKSHAFT REMAN	1	(With Bearings) REMAN FOR RE505921
2	R505609	SHAFT KEY	1	LGTH = 18.5 mm
3	R120631	GEAR	1	Z = 30
4	R48685	DOWEL PIN	1	SUB FOR A120R
5	R135918	BOLT	6	
6	RE65165	BEARING KIT	6	STD, Kit, R123561 AND R123562
6	RE65911	BEARING	AR	US = 0.254 mm, Kit, R130576 AND R130577
7	RE65168	BEARING KIT	1	STD, Kit, R123564 AND R123563
7	RE65912	THRUST BEARING	AR	US = 0.254 mm, Kit, R130574 AND R130575



John Deere > Construction And Forestry >DOZER, CRAWLER >850K - DOZER, CRAWLER >850K Crawler Dozer (PIN: 1T0850KX\_\_E178122 - 271265) >04 ENGINE 6068HT080-RE541352 >0400 ENGINE 6068HT080-RE541352 6068HT080 >ST197200 - 4848 CONNECTING RODS AND PISTONS

KEY	PART NO.	PART NAME	QTY	REMARKS
1	R54114	SNAP RING	12	
2	R528652	PISTON PIN	6	
3	RE543854	PISTON-LINER KIT	6	
4	RE539423	PISTON RING KIT	6	
5	RE539558	O-RING KIT	6	
6	RE500608	CONNECTING ROD	6	MARKED R500335
6	SE501094	CONNECTING ROD REMAN	AR	MARKED R500335; REMAN FOR RE500608
7	R114082	BUSHING	6	
8	R501124	SCREW	12	
9	RE547214	NOZZLE	6	
10	R529612	CAP SCREW	6	
11	RE539421	BEARING KIT	6	MARKED R525684



Thank you so much for reading.  
Please click the “Buy Now!”  
button below to download the  
complete manual.



After you pay.

You can download the most  
perfect and complete manual in  
the world immediately.

Our support email:

[ebooklibonline@outlook.com](mailto:ebooklibonline@outlook.com)