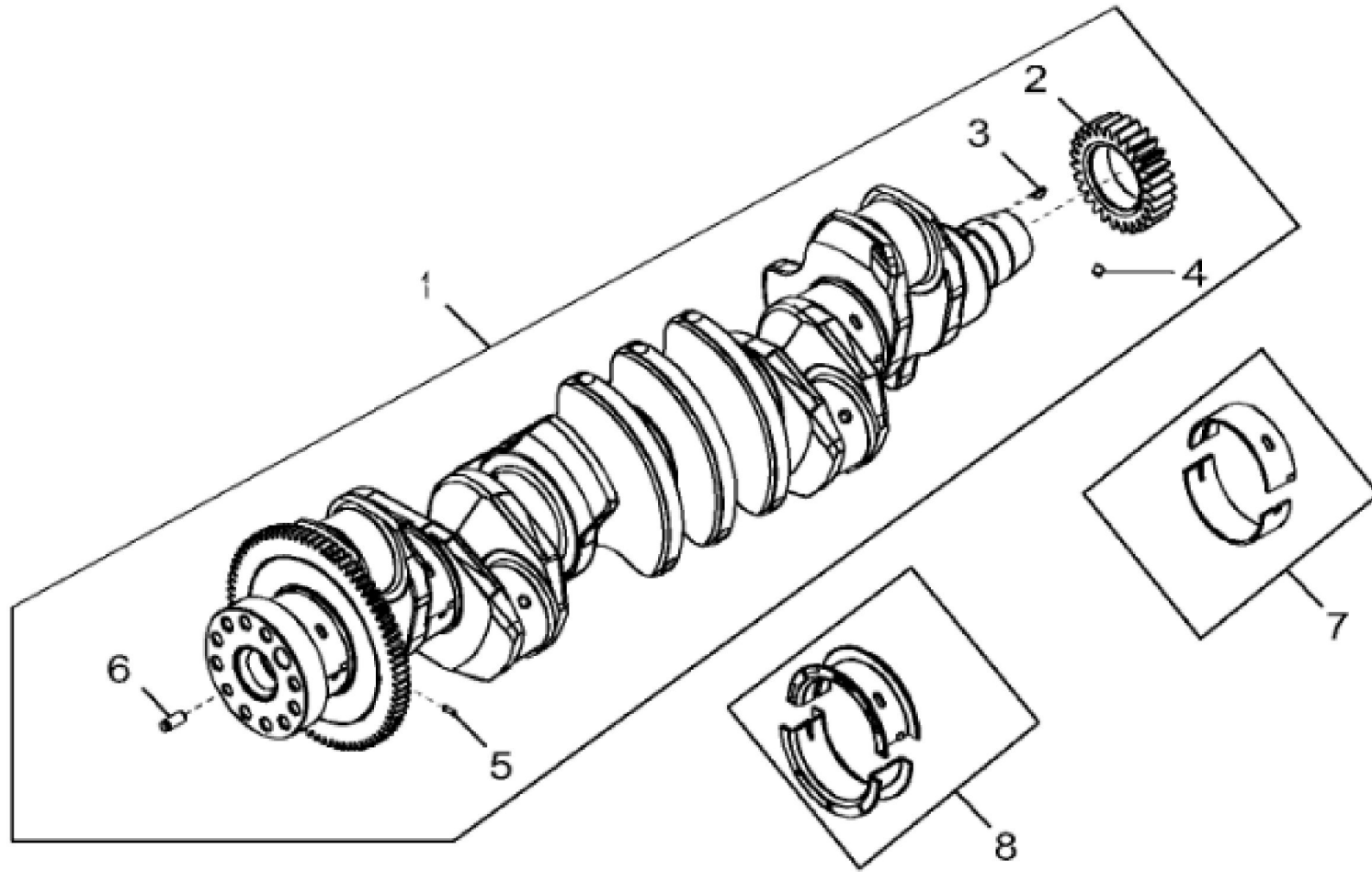


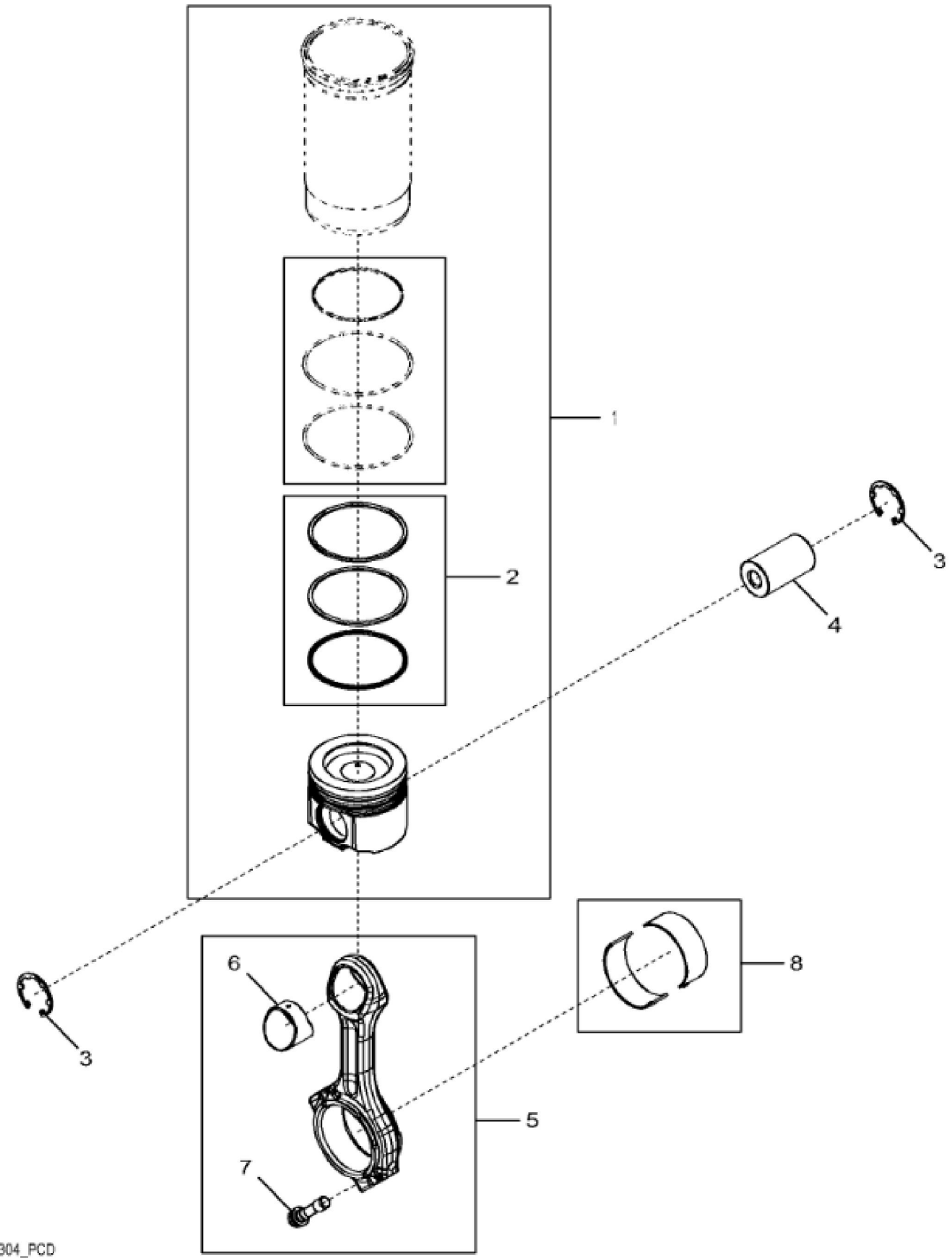
John Deere > Construction And Forestry > EXCAVATOR > 350GLC - EXCAVATOR > 350GLC Excavator (PIN: 1FF350GX__E808001-E809191)(Engine 6090HT010) > 04 ENGINE 6090HT010-RE537652 > 0400 ENGINE 6090HT010-RE537652 6090HT010 > ST120903 - 4607 CYLINDER BLOCK

KEY	PART NO.	PART NAME	QTY	REMARKS
1	DZ10207	PISTON-LINER KIT	6	SUB FOR RE542629
2	R527468	SHIM	6	
3	RE541037	O-RING KIT	6	
4	R522884	CAMSHAFT	1	
4	SE501775	CAMSHAFT REMAN	1	REMAN FOR R522884
5	R54326	O-RING	6	
6	RE522991	ORIFICE	6	
7	RE555307	CAM FOLLOWER ROLLER	12	SUB FOR RE540586 OR RE535576
8	AT13740	DRAIN VALVE	1	
9	CYLINDER BLOCK	1	MARKED R534403; ORDER DZ10590
10	R527877	BUSHING	6	
11	RE71255	PIPE PLUG	2	SUB FOR RE42713
12	RE46686	FITTING	3	
13	51M7040	O-RING	2	9.300 X 2.200 mm
14	R518034	BUSHING	1	
15	RE537634	SENSOR	2	Magnetic Pickup Sensor
16	RE546932	FITTING	1	
17	RE537640	ENGINE OIL PRESS. SENSOR	1	
18	R519287	CAP SCREW	14	
19	R120954	BEARING CAP	1	
20	R120953	BEARING CAP	6	
21	RE57836	PIPE PLUG	2	
22	R82007	PLUG	1	
23	R528098	GEAR	1	Z = 54
24	R518255	GEAR	1	Z = 64
25	R504811	WASHER	1	
26	26H91	SHAFT KEY	1	3/16" X 1-1/4"



John Deere > Construction And Forestry > EXCAVATOR > 350GLC - EXCAVATOR > 350GLC Excavator (PIN: 1FF350GX__E808001-E809191)(Engine 6090HT010) > 04 ENGINE 6090HT010-RE537652 > 0400 ENGINE 6090HT010-RE537652 6090HT010 > ST120905 - 4702 CRANKSHAFT AND BEARINGS

KEY	PART NO.	PART NAME	QTY	REMARKS
1	RE565972	CRANKSHAFT	1	MARKED DZ100385; SUB FOR RE548603 OR RE533517
1	SE502713	CRANKSHAFT REMAN	1	(With Bearings) REMAN FOR RE565972
2	R543259	GEAR	1	
3	R120752	KEY	1	
4	AT107510	PLUG	6	
5	34M7089	DOWEL PIN	1	4 X 12 mm
6	44M7036	DOWEL PIN	1	
7	RE529319	BEARING	6	
8	RE529320	THRUST BEARING	1	



John Deere > Construction And Forestry > EXCAVATOR > 350GLC - EXCAVATOR > 350GLC Excavator (PIN: 1FF350GX__E808001-E809191)(Engine 6090HT010) > 04 ENGINE 6090HT010-RE537652 > 0400 ENGINE 6090HT010-RE537652 6090HT010 > ST120906 - 4803 CONNECTING RODS AND PISTONS

KEY	PART NO.	PART NAME	QTY	REMARKS
1	DZ10207	PISTON-LINER KIT	6	PISTON MARKED RE555132
2	DZ10083	PISTON RING KIT	6	SUB FOR RE539641
3	R519640	SNAP RING	12	
4	DZ101959	PISTON PIN	6	SUB FOR R517073
5	RE565318	CONNECTING ROD	6	MARKED DZ100420; SUB FOR RE537877
5	SE502544	CONNECTING ROD REMAN	AR	REMAN FOR RE537877
6	R74008	BUSHING	6	
7	R542878	CAP SCREW	12	
8	RE538581	BEARING	6	KIT; R526721 AND R526722

Thank you so much for reading.
Please click the “Buy Now!”
button below to download the
complete manual.



After you pay.

You can download the most
perfect and complete manual in
the world immediately.

Our support email:

ebooklibonline@outlook.com