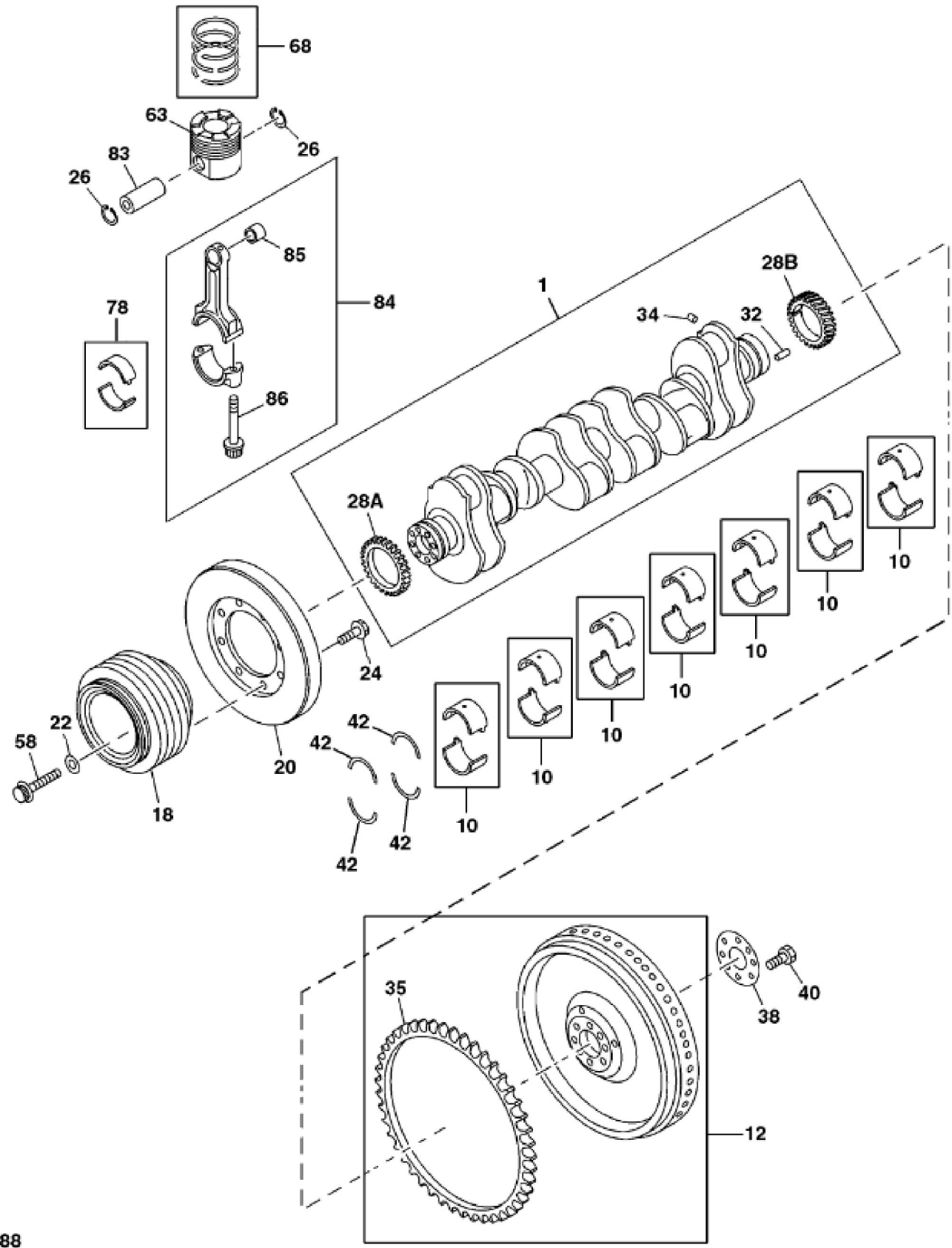


TX1091287

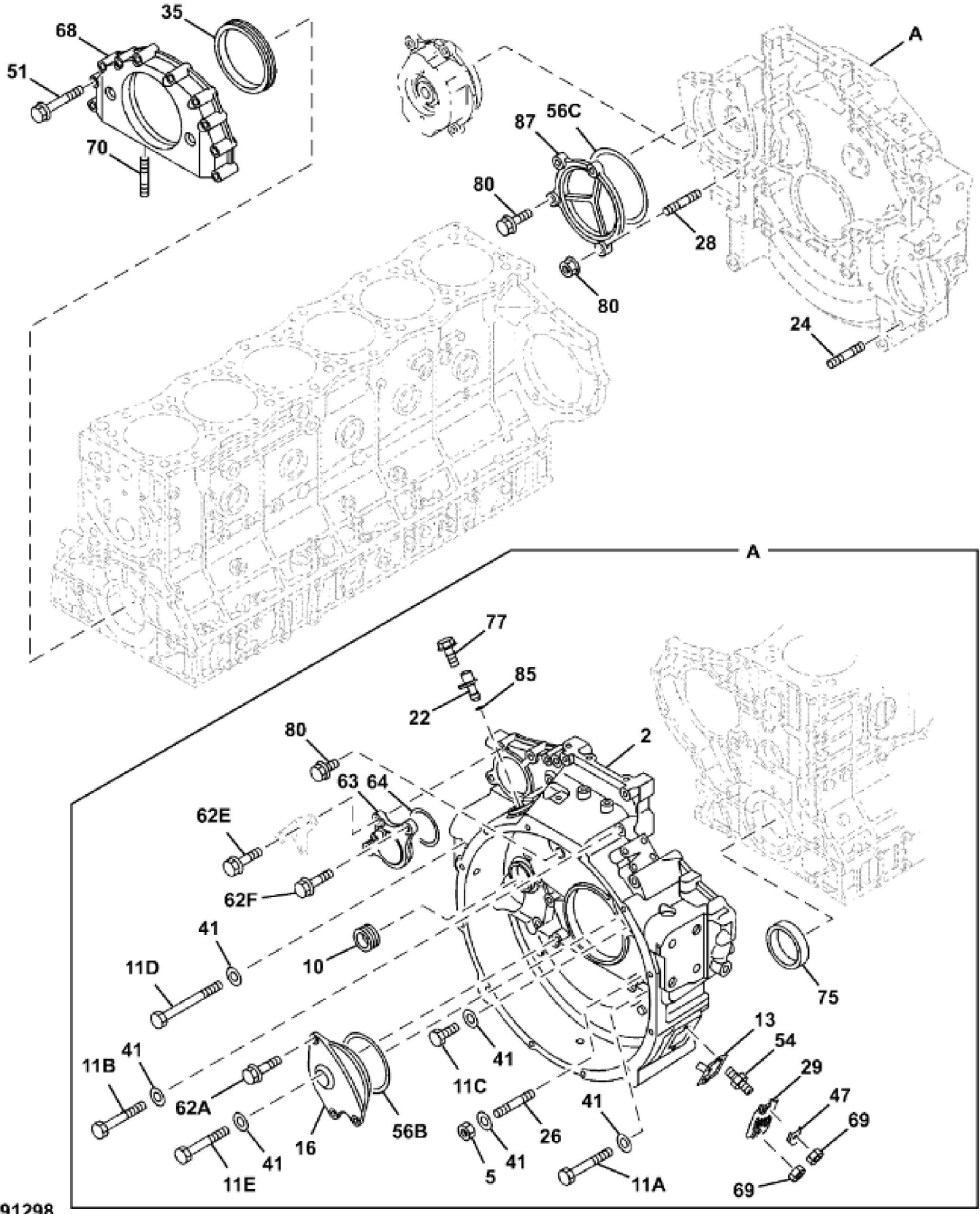
KEY	PART NO.	PART NAME	QTY	REMARKS	
1A	1090002840	BOLT	1		
1B	1090701270	BOLT	1		
1C	1090701380	BOLT	1		
1D	8970737820	BOLT	3		
7A	1125310990	SHAFT	1		
7B	8982583790	SHAFT	1	SUB FOR 1125311150	
7C	8980359240	SHAFT	1		
10	1125350211	THRUST RING	1		
11A	8972097282	THRUST WASHER	1		
11B	8980359252	THRUST RING	1		
12A	8980054830	IDLER GEAR	1		
12B	8981568931	IDLER GEAR	1		
12C	8981586340	IDLER GEAR	1		
14	0281612450	BOLT	1		



TX1091288

John Deere > Construction And Forestry > EXCAVATOR > 470GLC - EXCAVATOR > 470GLC Excavator (PIN: 1FF470GX__E470001-) > 04 ENGINE > 0400 ENGINE > ST451632 - CRANKSHAFT, CRANKSHAFT BEARINGS AND GEAR

KEY	PART NO.	PART NAME	QTY	REMARKS
1	8976030465	CRANKSHAFT	1	SUB FOR 8976030464
10	8976097680	CRANKSHAFT AND PISTON KIT	7	Blue
10	8976097690	CRANKSHAFT AND PISTON KIT	7	Black
10	8976097700	CRANKSHAFT AND PISTON KIT	7	Brown
12	8981343101	FLYWHEEL	1	
18	8981344720	PULLEY	1	
20	1123751950	TORSIONAL DAMPER	1	
22	9098519350	PLATE	4	ID=17 OD=30
24	0281612250	BOLT	8	SUB FOR 0281912250, M12X25 FLANGE
26	1095870751	SNAP RING	12	ALSO INCLUDED IN LINER SET
28A	8976075831	GEAR	1	SUB FOR 8976075830
28B	8980023321	GEAR	1	
32	9081508160	PIN FASTENER	1	OD=8 L=16
34	9098786260	DOWEL PIN	1	OD=5 L=6
35	1123330131	RING GEAR	1	Z=139
38	1123360060	WASHER	1	
40	1090701461	BOLT	8	SUB FOR 1090701460
42	8981060070	THRUST WASHER	4	
58	0288616700	BOLT	4	M16X70 FLANGE
63	8980287372	PISTON	6	GRADE=AX ALSO INCLUDED IN LINER SET, SUB FOR 8980287370 OR 8980287371
63	8980287382	PISTON	6	GRADE=CX ALSO INCLUDED IN LINER SET, SUB FOR 8980287380 OR 8980287381
68	8981175940	RING KIT	6	
78	8976054840	CONNECTING ROD	6	
83	8976032630	PIN	6	ALSO INCLUDED IN LINER SET
84	8980449500	CONNECTING ROD	6	
85	1122510510	BUSHING	6	
86	1122350460	BOLT	12	



TX1091298

KEY	PART NO.	PART NAME	QTY	REMARKS
2	8981342920	HOUSING	1	
5	9991105120	NUT	1	SUB FOR 0911105120
10	9095757990	GROMMET	1	
11A	0168562600	BOLT	8	
11B	0168562900	BOLT	1	
11C	0238012250	BOLT	2	
11D	8973881590	BOLT	1	
11E	9016662750	BOLT	5	
13	1113270451	POINTER	1	
16	8976033410	COVER	1	
22	8976069430	SENSOR	1	
24	0440114400	STUD	2	
26	0440112600	STUD	1	
28	9944112400	STUD	1	
29	1113491310	COVER	1	
35	1096255403	SEAL	1	
41	8970472940	WASHER	18	SUB FOR 9098519330
47	1113491270	WASHER	1	
51	0281510600	BOLT	12	
54	1093000581	STUD	2	
56B	1096234640	GASKET	1	
56C	1096235700	GASKET	1	
62A	0280508160	BOLT	3	
62C	0280808140	BOLT	3	
62E	0281512700	BOLT	1	
62F	0281512800	BOLT	2	SUB FOR 0281812800
63	8980056041	COVER	1	SUB FOR 8980056040
64	1096231430	O-RING	1	
65	0911801120	NUT	1	
68	8981416090	COVER	1	
69	0911801080	NUT	2	SUB FOR 8940120390
70	9096300341	STUD	6	
75	1096255412	SEAL	1	
77	0286506160	BOLT	1	
80	0281512350	BOLT	3	

Thank you so much for reading.
Please click the “Buy Now!”
button below to download the
complete manual.



After you pay.

You can download the most
perfect and complete manual in
the world immediately.

Our support email:

ebooklibonline@outlook.com