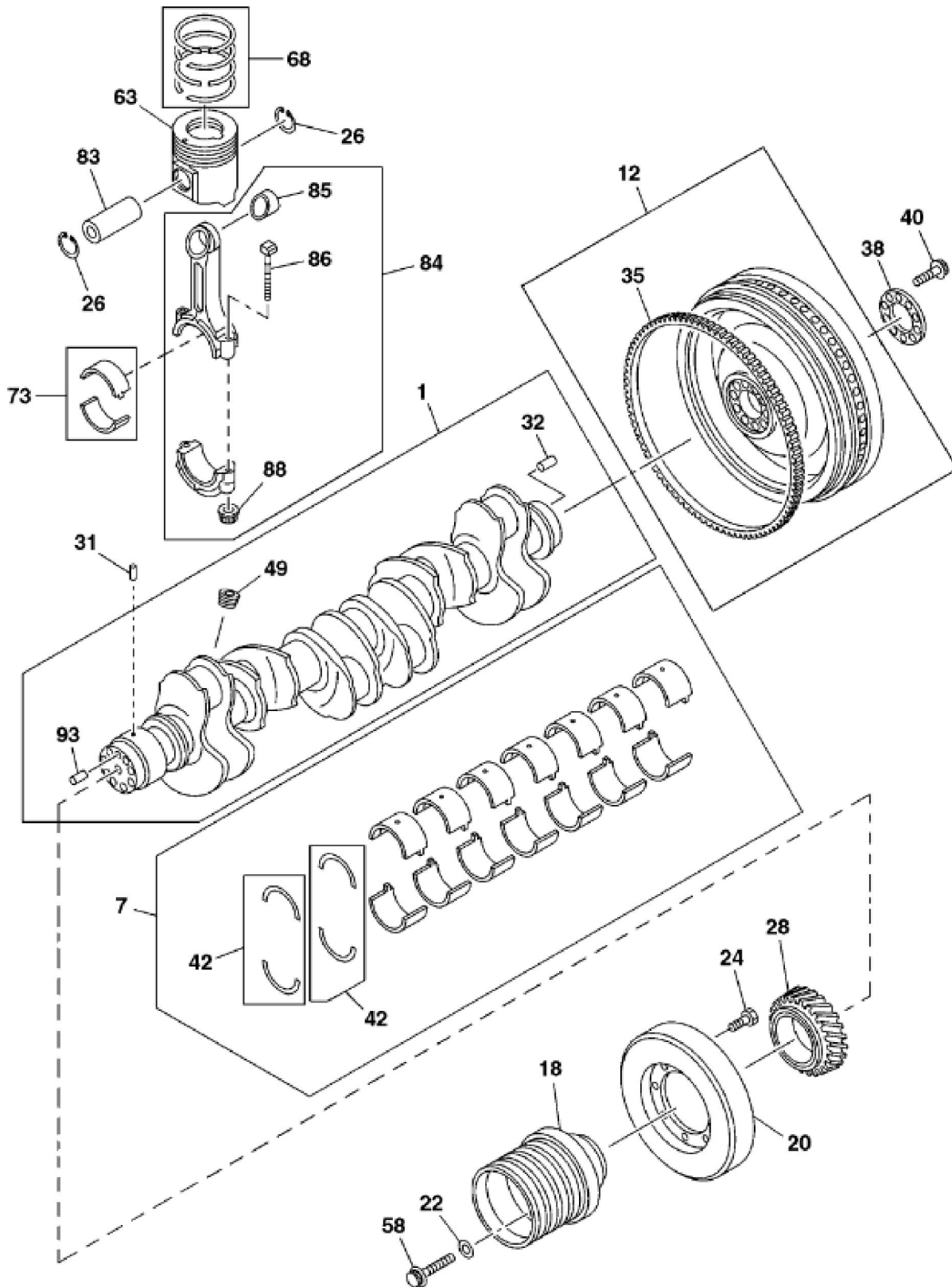


TX1091472

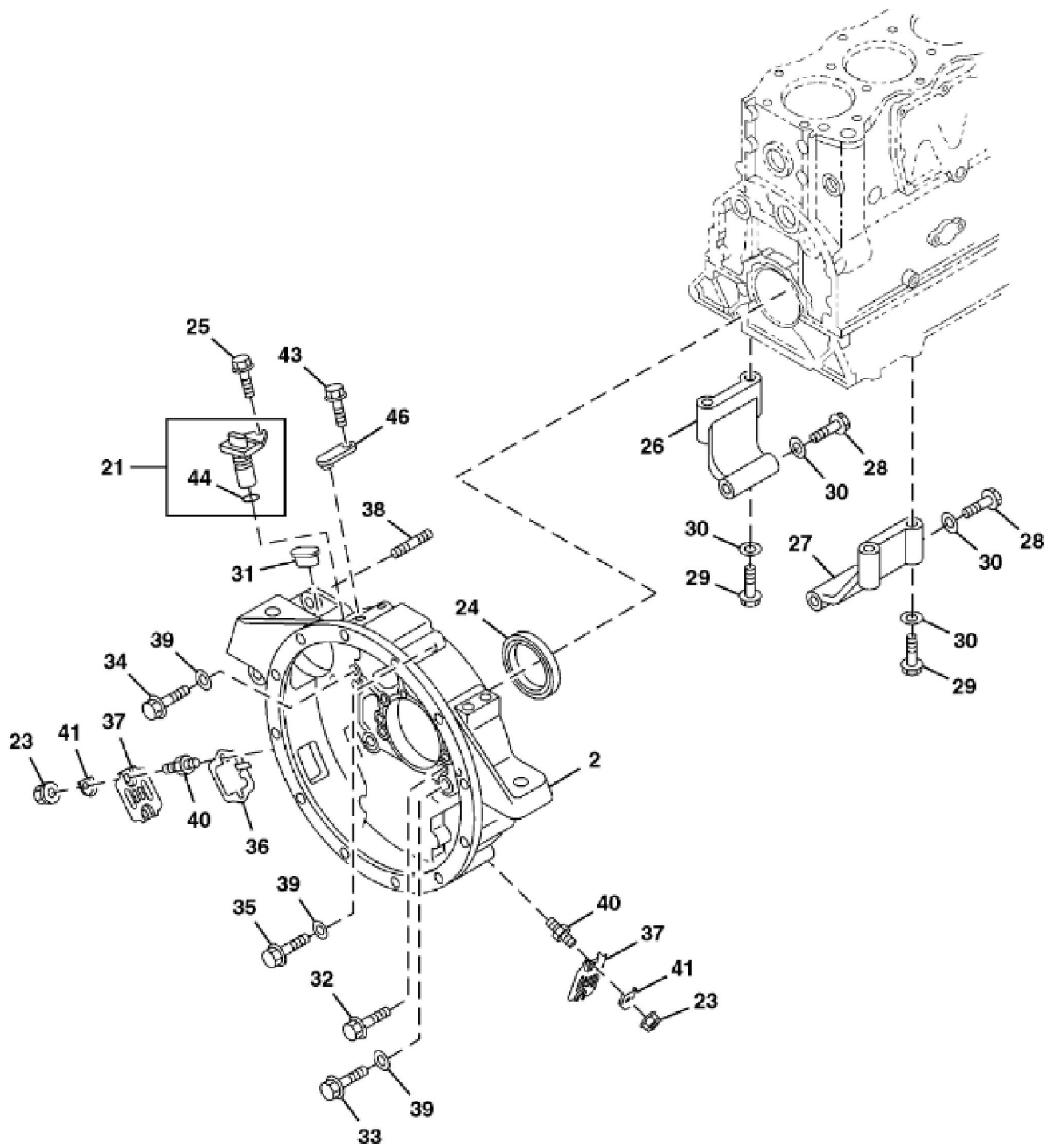
KEY	PART NO.	PART NAME	QTY	REMARKS	
27	0281510400	BOLT	3		
28	0281510600	BOLT	6		
29	1090700873	BOLT	3	SUB FOR 1090700872	
30	9081612320	DOWEL PIN	1		
31	1125310931	SHAFT	1		
32	1125310762	SHAFT	1		
33	1125310922	SHAFT	1		
34	1125350081	BUSHING	1		
35	1125350190	BUSHING	1		
36	1125233691	GEAR	1		
37	1125233340	IDLER GEAR	1	SUB FOR 1125233661	
38	1093301241	BUSHING	1		
39	8980811670	BUSHING	1		



TX1091475

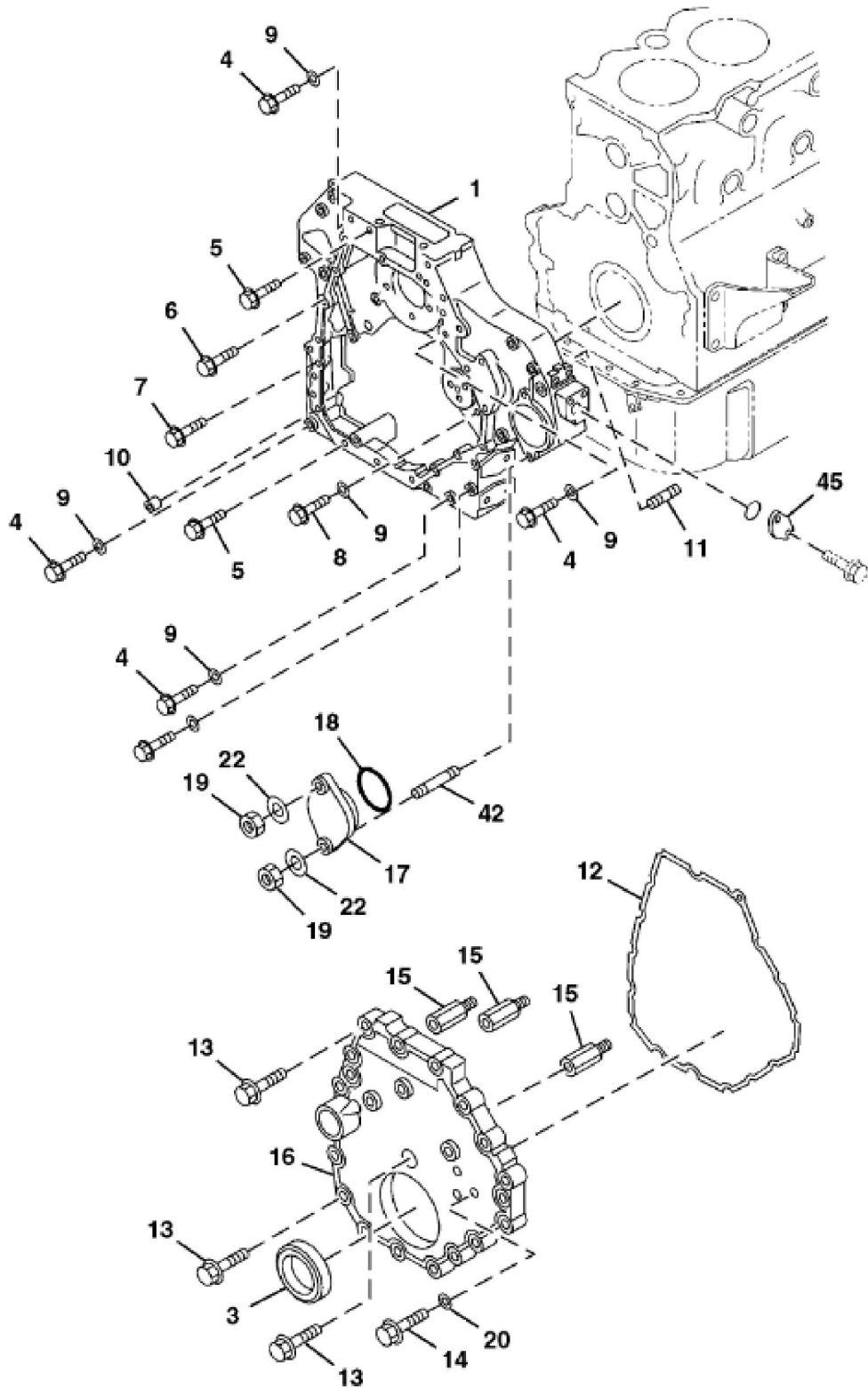
John Deere > Construction And Forestry > EXCAVATOR > 670GLC - EXCAVATOR > 670GLC Excavator (PIN: 1FF670GX_ E670001-) > 04 ENGINE > 0400 ENGINE > ST468502 - 0-15 CRANKSHAFT, PISTON AND FLYWHEEL

KEY	PART NO.	PART NAME	QTY	REMARKS
1	8981720140	CRANKSHAFT	1	SUB FOR 1123106751, 1123107152, AND 1123107151
7	1115100935	BEARING KIT	1	SUB FOR 1115100934
12	8981056480	FLYWHEEL	1	
18	1123714443	PULLEY	1	
20	8981471540	TORSIONAL DAMPER	1	
22	9098518620	LOCK PLATE	8	ID=18
24	0287612300	BOLT	8	M12X30
26	1095870820	SNAP RING	12	
28	1125210612	GEAR	1	Z=48, SUB FOR 1125210680
31	9098786260	DOWEL PIN	1	OD=5 L=6
32	9081508160	PIN FASTENER	1	OD=8 L=16
35	1123330131	RING GEAR	1	Z=139
38	1123360110	WASHER	1	
40	1090700171	BOLT	10	
42	8981518500	THRUST WASHER	2	SUB FOR 1115990090 OR 8676067100
49	1096050211	PLUG	6	
58	1090700171	BOLT	8	
63	8980288082	PISTON	6	SUB FOR 8980288080 OR 8980288081
68	1121211540	PISTON RING	6	SUB FOR 1121211541
73	1122710960	ROD	6	
83	1122110291	PIN FASTENER	6	
84	8981159480	CONNECTING ROD	6	
85	8981159590	BUSHING	6	
86	1122350363	BOLT	12	
88	1122390051	NUT	12	
93	9081608200	PIN FASTENER	1	OD=8 L=20



TX1091478

KEY	PART NO.	PART NAME	QTY	REMARKS	
2	8981056130	HOUSING	1		
21	8976069430	SENSOR	1		
23	0911801080	NUT	4	SUB FOR 8940120390	
24	8976173090	SEAL	1	Gray	
25	0286506160	BOLT	1		
26	1113492410	SUPPORT	1		
27	1113492400	SUPPORT	1		
28	1090200081	BOLT	2		
29	0169564000	BOLT	4		
30	0916145140	WASHER	6		
31	9113490490	COVER	1		
32	0280808350	BOLT	8	SUB FOR 0280508350	
33	0169564500	BOLT	2		
34	9923614450	BOLT	10		
35	0287914400	BOLT	1	SUB FOR 0287614400	
36	1113270451	POINTER	1		
37	1113491310	COVER	2		
38	0440114350	STUD	3		
39	0916145140	WASHER	12		
40	1093000581	STUD	4		
41	1113491270	WASHER	2		
43	0280508160	BOLT	1		
44	8973694040	GASKET	1		
46	1117491940	COVER	1		



TX1091477

Thank you so much for reading.
Please click the “Buy Now!”
button below to download the
complete manual.



After you pay.

You can download the most
perfect and complete manual in
the world immediately.

Our support email:

ebooklibonline@outlook.com