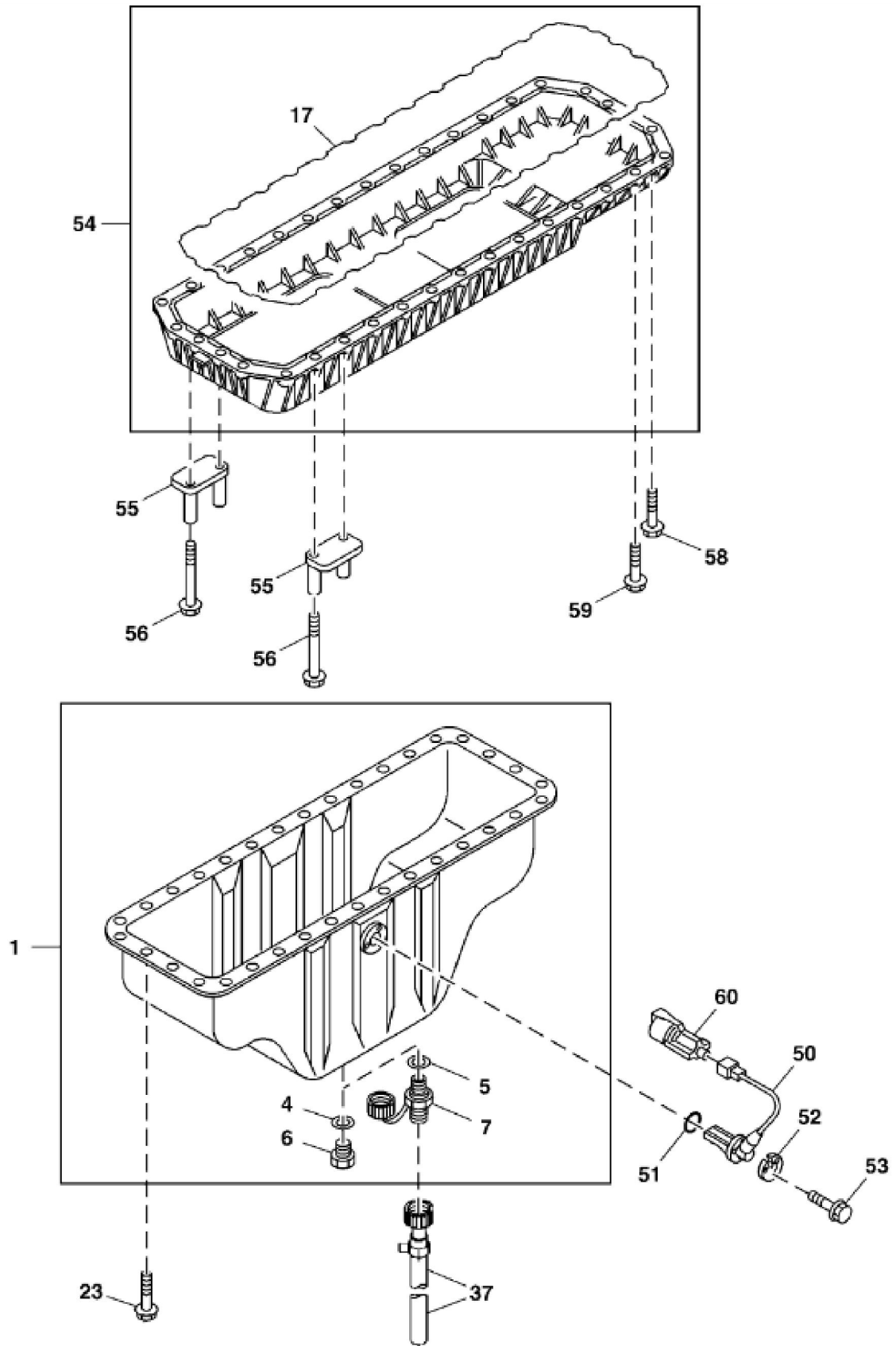


TX1091463

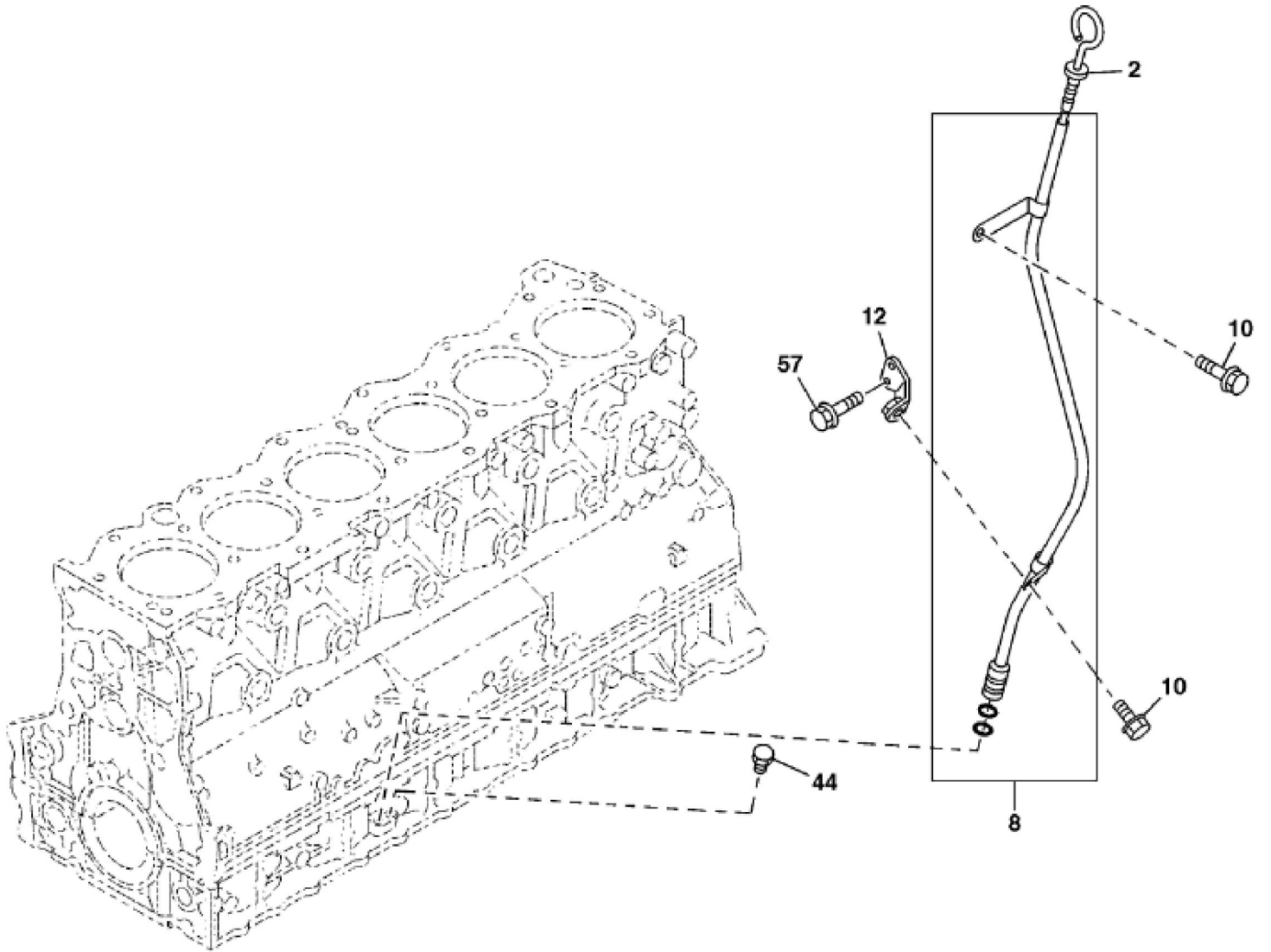
KEY	PART NO.	PART NAME	QTY	REMARKS
1	1112106914	CYLINDER BLOCK	1	SUB FOR 1112106912 OR 1112106913
1	1112106913	CYLINDER BLOCK	1	
2	1878154250	PISTON-LINER KIT	6	OD GRD=1X, SUB FOR 1878132014 AND 1878132011
2	1878154260	PISTON-LINER KIT	6	OD GRD=3X, SUB FOR 1878132024 AND 1878132021
6	9081510180	DOWEL PIN	2	
7	8943255061	DOWEL PIN	2	
8	1131600303	PRESSURE RELIEF VALVE	1	
9	1096232970	GASKET	1	
10	8970365501	BEARING CUP	4	SUB FOR 8973514510
11	1096000160	PLUG	1	
12	8942416370	PLUG	13	
13	1096000651	PLUG	2	
14	9081510180	DOWEL PIN	2	
15	1133490140	BOLT	6	
16	1133421392	ORIFICE	6	SUB FOR 1133421391
17	1096000122	PLUG	1	
18	1096000160	PLUG	4	
19	9081514280	PIN FASTENER	2	
20	8980274560	SENSOR	1	
21	1090701510	BOLT	14	
22	1090700873	BOLT	28	SUB FOR 1090700872
23	1097400681	DOWEL PIN	2	
24	1096300830	GASKET	1	ID=10.2, OD=15.2
25	1096300840	GASKET	1	ID=12.2
26	1096300890	GASKET	1	ID=22
27	1096301410	GASKET	2	ID=14.2, OD=25
28	1097490251	DOWEL PIN	2	
29	9081605100	PIN FASTENER	2	
30	1096301410	GASKET	1	ID=14.2, OD=25
31	30H7	PLUG	1	5/8", SUB FOR 5111290030
32	1096040350	PLUG	1	
33	1096040940	PLUG	1	
34	8980470540	PLUG	1	
35	8980429440	PLUG	2	
36	1121211540	PISTON RING	1	SUB FOR 1121211541

KEY	PART NO.	PART NAME	QTY	REMARKS	
37	1095870820	SNAP RING	2		
38	8980288082	PISTON	1	SUB FOR 8980288080 OR 8980288081	
39	1122110291	PIN FASTENER	1		



TX1091470

KEY	PART NO.	PART NAME	QTY	REMARKS	
1	1113609170	OIL PAN	1		
1	8980630320	GASKET	1	Not IllustratedBetween Spacer and Oil Pan	
4	1096231790	O-RING	1	SUB FOR 1096230580	
5	1096300900	GASKET	1		
6	1096040220	PIPE PLUG	1	SUB FOR 1096040641	
7	8981442470	PLUG	1	SUB FOR 1096801060	
17	8980630320	GASKET	1		
23	0506408250	BOLT	34		
37	8982534070	HOSE	1	SUB FOR 8973880231	
50	8971312230	SENSOR	1		
51	8976049160	GASKET	1	SUB FOR 1096233550	
52	5113690720	SPACER	1		
53	0506406280	BOLT	3		
54	8980900130	SPACER	1		
55	1154196840	BRACKET	2		
56	0281560110	BOLT	4	SUB FOR 0281860110	
58	0281510500	BOLT	4		
59	0281510350	BOLT	28		
60	1812297530	CAP	1		



TX1091471

KEY	PART NO.	PART NAME	QTY	REMARKS	
2	1117604501	LEVEL GAUGE	1		
8	8981491020	OIL TUBE	1		
10	0281510200	BOLT	2		
12	8980281760	BRACKET	1		
44	1096040980	PLUG	1		
57	0280510200	BOLT	1		



Thank you so much for reading.  
Please click the “Buy Now!”  
button below to download the  
complete manual.



After you pay.

You can download the most  
perfect and complete manual in  
the world immediately.

Our support email:

[ebooklibonline@outlook.com](mailto:ebooklibonline@outlook.com)