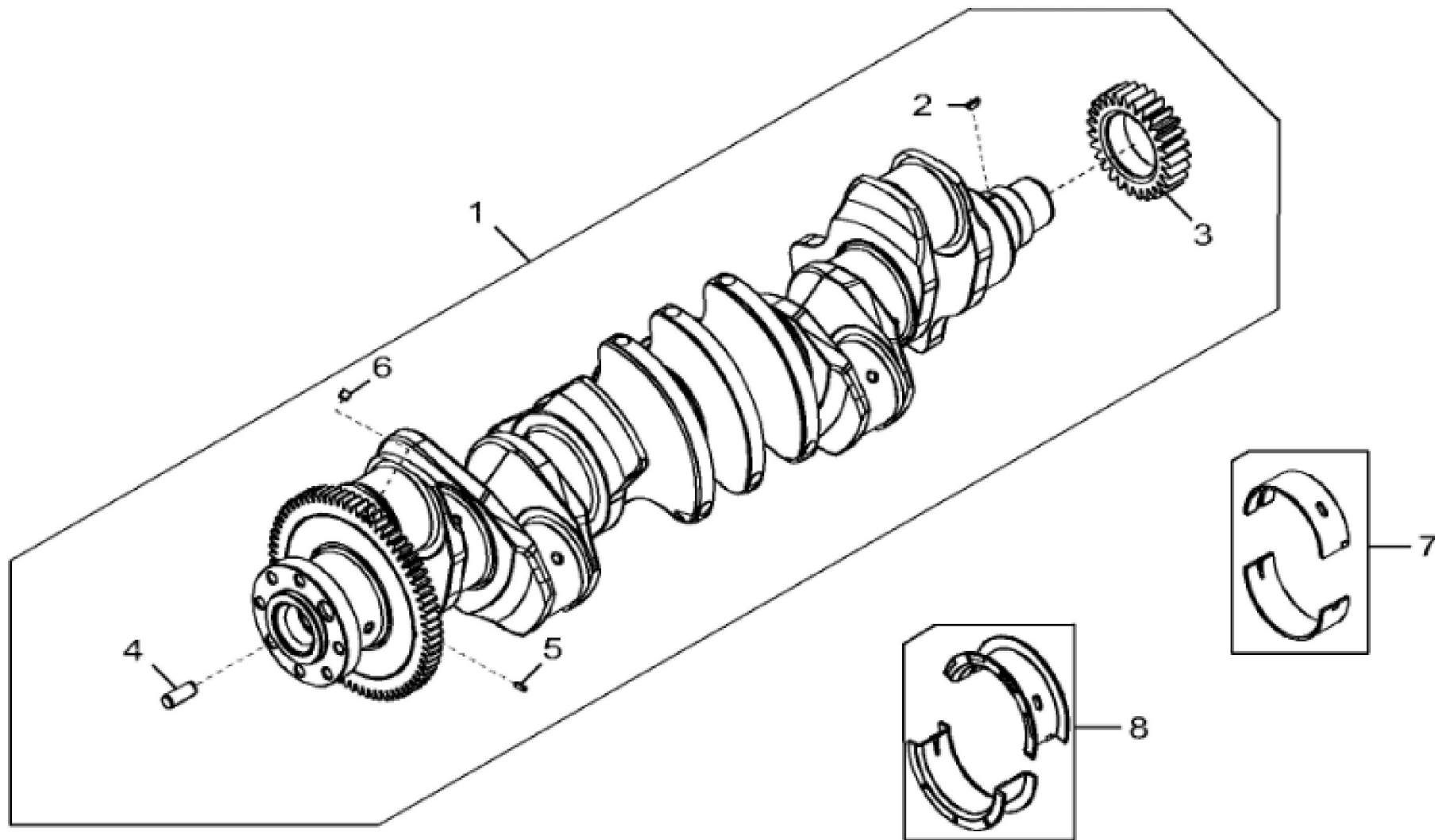


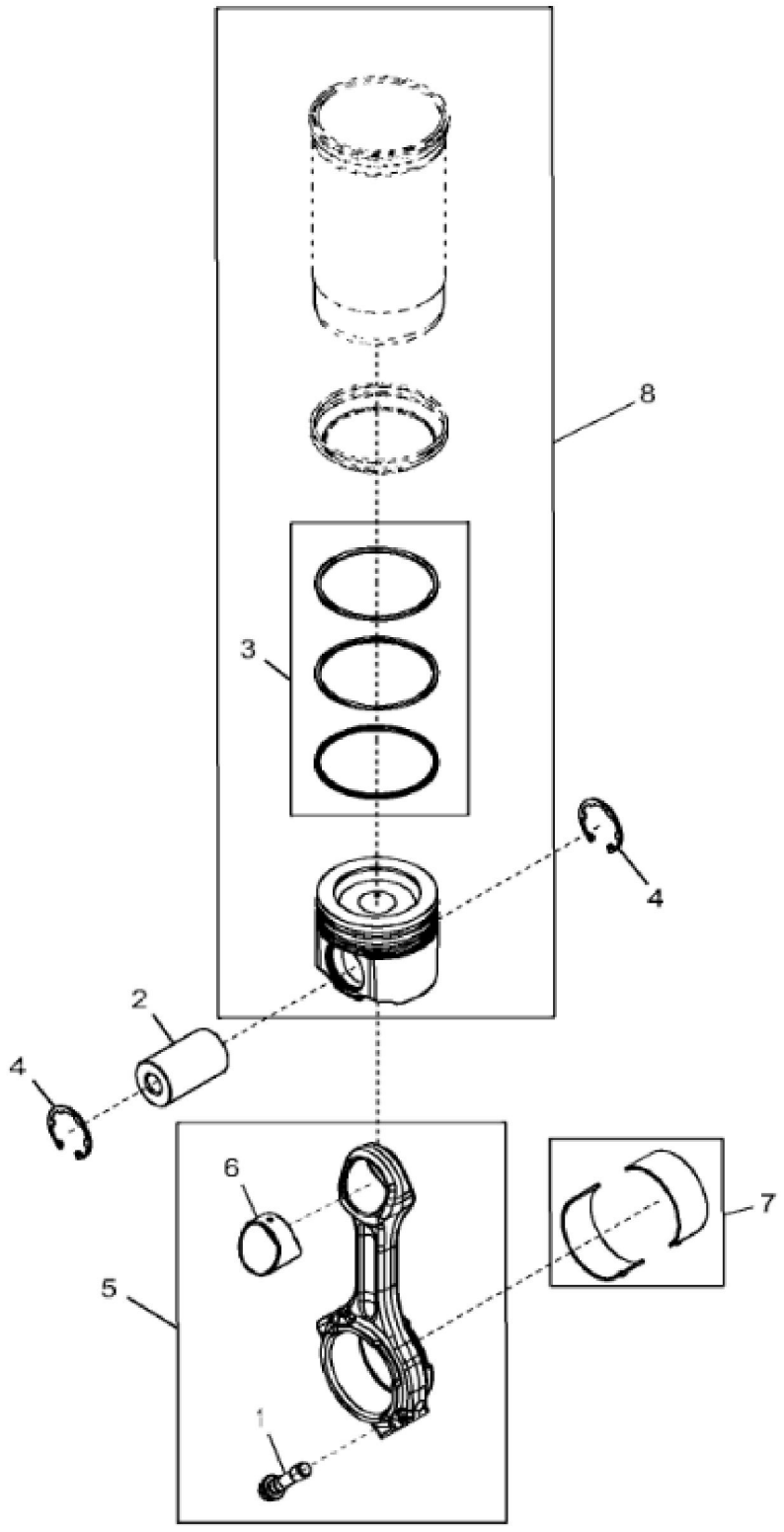
| KEY | PART NO. | PART NAME            | QTY | REMARKS  |
|-----|----------|----------------------|-----|--|
| 1   | AT13740  | DRAIN VALVE          | 1   |  |
| 2   | DZ10211  | PISTON-LINER KIT     | 6   | PISTON MARKED RE529264; SUB FOR RE545266 OR RE531072 |
| 3   | RE541037 | O-RING KIT           | 1   | SUB FOR AR98850                                      |
| 4   | R527468  | SHIM                 | 1   | TK = 0.004"  |
| 4   | R93948   | SHIM                 | 1   | (Not Illustrated) TK = 0.002"                        |
| 4   | R528685  | SHIM                 | 1   | (Not Illustrated) TK = 0.006"                        |
| 4   | R536310  | SHIM                 | 1   | (Not Illustrated) TK = 0.008"                        |
| 4   | R536311  | SHIM                 | 1   | (Not Illustrated) TK = 0.010"                        |
| 5   | R43409   | PLUG                 | 1   |  |
| 6   | RE522991 | ORIFICE              | 6   |  |
| 7   | RE555307 | CAM FOLLOWER ROLLER  | 12  | SUB FOR RE540586 OR RE535576 OR RE519889             |
| 8   | RE57836  | PIPE PLUG            | 3   |  |
| 9   | RE519144 | SENSOR               | 2   | (Magnetic Pick Up Sensor)                            |
| 10  | 51M7044  | O-RING               | 1   | 17.300 X 2.200 mm                                    |
| 11  | RE71255  | PIPE PLUG            | 5   |  |
| 12  | RE167207 | SENSOR               | 1   | (Pressure Sensor)                                    |
| 13  | R528098  | GEAR                 | 1   | (Camshaft) Z = 54, SUB FOR R518212                   |
| 14  | R518255  | GEAR                 | 1   | (Fuel Supply Pump Drive) Z = 64                      |
| 15  | R504811  | WASHER               | 1   |  |
| 16  | 26H91    | SHAFT KEY            | 1   | 3/16" X 1-1/4"                                       |
| 17  | R522884  | CAMSHAFT             | 1   | SUB FOR R520366                                      |
| 17  | SE501775 | CAMSHAFT REMAN       | 1   | REMAN FOR R522884                                    |
| 18  | ...      | CYLINDER BLOCK       | 1   | MARKED R542211; ORDER DZ10789 OR DZ10597             |
| 18  | DZ10789  | SHORT BLOCK ASSEMBLY | 1   | (For Marine Engine)                                  |
| 18  | DZ10597  | SHORT BLOCK ASSEMBLY | 1   | (For Non-Marine Engine)                              |
| 19  | R120954  | BEARING CAP          | 1   |  |
| 20  | R519287  | CAP SCREW            | 14  |  |
| 21  | R120953  | BEARING CAP          | 6   |  |
| 22  | R527877  | BUSHING              | 6   |  |
| 23  | R82007   | PLUG                 | 1   |  |
| 24  | R54326   | O-RING               | 6   |  |
| 25  | R518034  | BUSHING              | 1   |  |



4701\_RE523130\_PCD

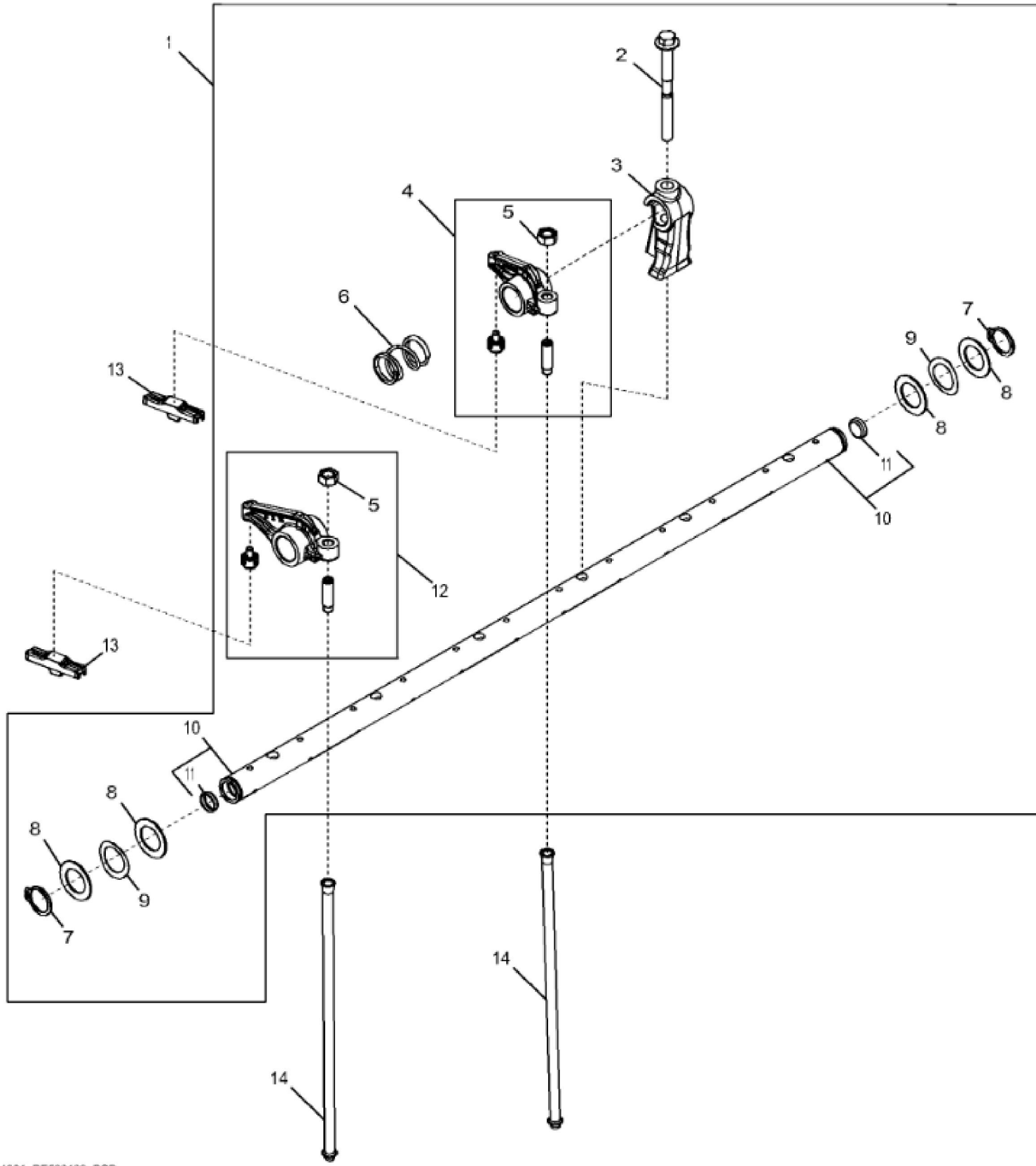
John Deere > Construction And Forestry > EXCAVATOR > 350GLC - EXCAVATOR > 350GLC Excavator (PIN: 1FF350GX\_ \_D808001- ) (Engine 6090HT006 and 6090HT002) > 04A ENGINE 6090HT006-RE539003 > 0400A ENGINE 6090HT006-RE539003 6090HT006 > ST30568 - 4701 CRANKSHAFT

| KEY | PART NO. | PART NAME      | QTY | REMARKS                          |  |
|-----|----------|----------------|-----|----------------------------------|--|
| 1   | RE540429 | CRANKSHAFT     | 1   | MARKED R526075; SUB FOR RE534315 |  |
| 2   | R120752  | KEY            | 1   |                                  |  |
| 3   | R104587  | GEAR           | 1   |                                  |  |
| 4   | R41934   | DOWEL PIN      | 1   |                                  |  |
| 5   | 34M7089  | DOWEL PIN      | 1   | 4 X 12 mm                        |  |
| 6   | AT107510 | PLUG           | 6   |                                  |  |
| 7   | RE529319 | BEARING        | 6   | KIT; MARKED R519427 AND R519428  |  |
| 8   | RE529320 | THRUST BEARING | 1   | KIT; MARKED R519429 AND R519430  |  |



John Deere > Construction And Forestry > EXCAVATOR > 350GLC - EXCAVATOR > 350GLC Excavator (PIN: 1FF350GX\_ \_D808001- ) (Engine 6090HT006 and 6090HT002) > 04A ENGINE 6090HT006-RE539003 > 0400A ENGINE 6090HT006-RE539003 6090HT006 > ST30570 - 4801 CONNECTING RODS AND PISTONS

| KEY | PART NO. | PART NAME            | QTY | REMARKS  |
|-----|----------|----------------------|-----|--|
| 1   | R542878  | CAP SCREW            | 12  |  |
| 2   | DZ101959 | PISTON PIN           | 6   | OD = 47 mm, LGTH = 79 mm, SUB FOR R517073            |
| 3   | DZ10083  | PISTON RING          | 6   | PKG (3), SUB FOR RE539642                            |
| 4   | R519640  | SNAP RING            | 12  |  |
| 5   | DZ100117 | CONNECTING ROD       | 6   | MARKED DZ100421, SUB FOR RE517436 OR RE535554        |
| 5   | SE501759 | CONNECTING ROD REMAN | AR  | REMAN FOR RE535554                                   |
| 5   | SE501748 | CONNECTING ROD REMAN | AR  | REMAN FOR RE517436                                   |
| 6   | R74008   | BUSHING              | 6   |  |
| 7   | RE529318 | BEARING              | 6   | KIT; R519454   |
| 8   | DZ10211  | PISTON-LINER KIT     | 6   | PISTON MARKED RE529264, SUB FOR RE545266 OR RE571507 |



Thank you so much for reading.  
Please click the “Buy Now!”  
button below to download the  
complete manual.



After you pay.

You can download the most  
perfect and complete manual in  
the world immediately.

Our support email:

[ebooklibonline@outlook.com](mailto:ebooklibonline@outlook.com)