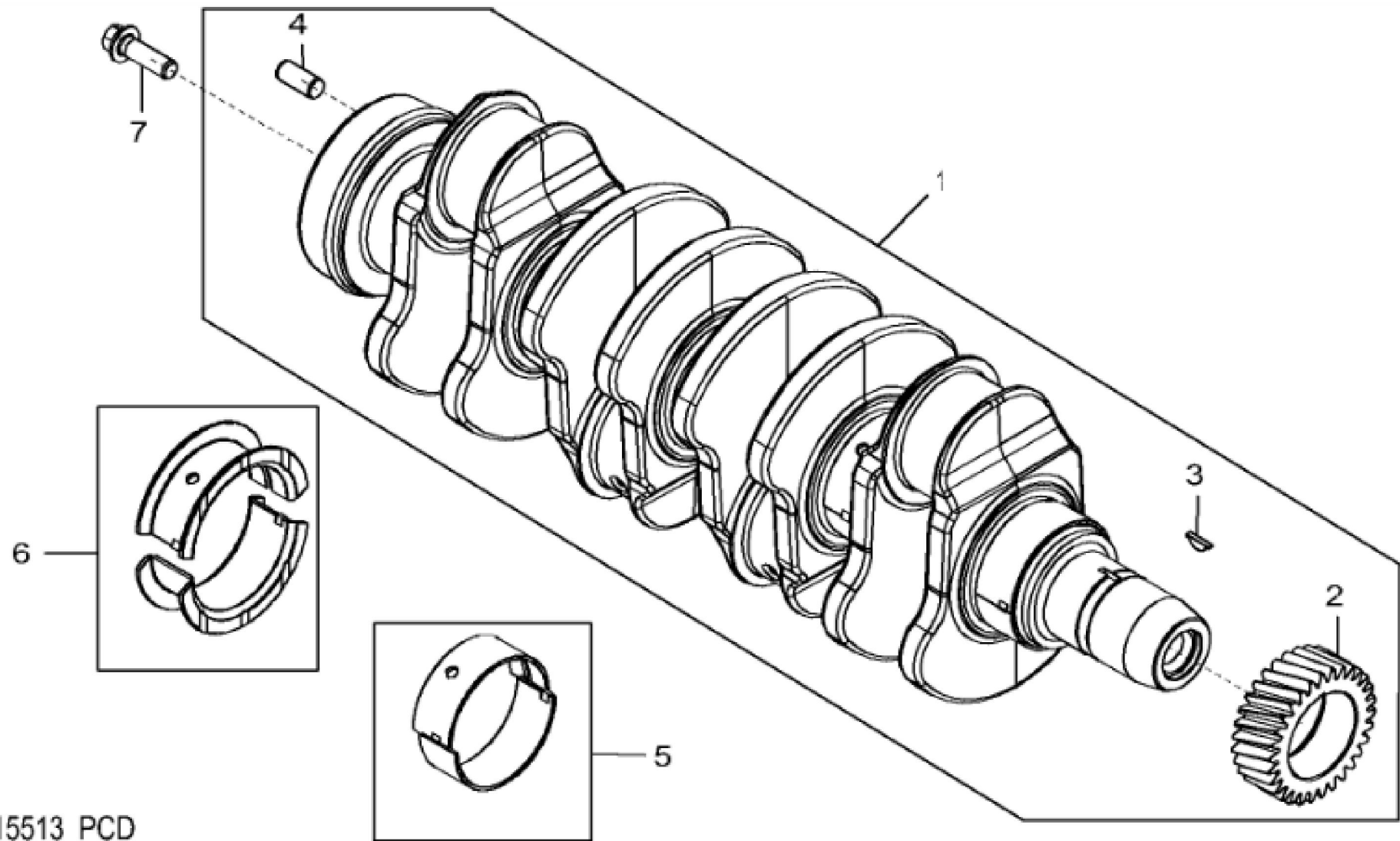


KEY	PART NO.	PART NAME	QTY	REMARKS
1	.....	CYLINDER BLOCK	1	MARKED R534172; ORDER RE545935
1	RE545935	SHORT BLOCK ASSEMBLY	1	
2	51M7041	O-RING	1	11.300 X 2.200 mm
3	R114240	BEARING CAP	1	
4	R535005	CAP SCREW	10	
5	15H695	PIPE PLUG	1	3/8"
6	R97185	O-RING	1	
7	R114241	BEARING CAP	4	
8	B153R	DOWEL PIN	2	
9	R115299	BUSHING	6	
10	R111137	SPRING	1	
11	R121043	VALVE	1	
12	R131425	COMPRESSION SPRING	1	
13	RE505501	BLEED VALVE	1	INCLUDES R131425
14	T18891	PLUG	2	
15	R119874	BUSHING	1	
16	R116466	PLUG	1	
17	RE42713	PIPE PLUG	5	
18	R131182	ORIFICE	4	
19	51M7043	O-RING	1	15.300 X 2.200 mm
20	RE539115	FITTING	2	
21	R116115	FITTING	1	
22	RE505232	FITTING	1	
23	51M7045	O-RING	1	19.300 X 2.200 mm
24	A120R	DOWEL PIN	4	
25	RE539114	FITTING	3	
26	RE508185	FITTING	2	
27	U13639	O-RING	1	

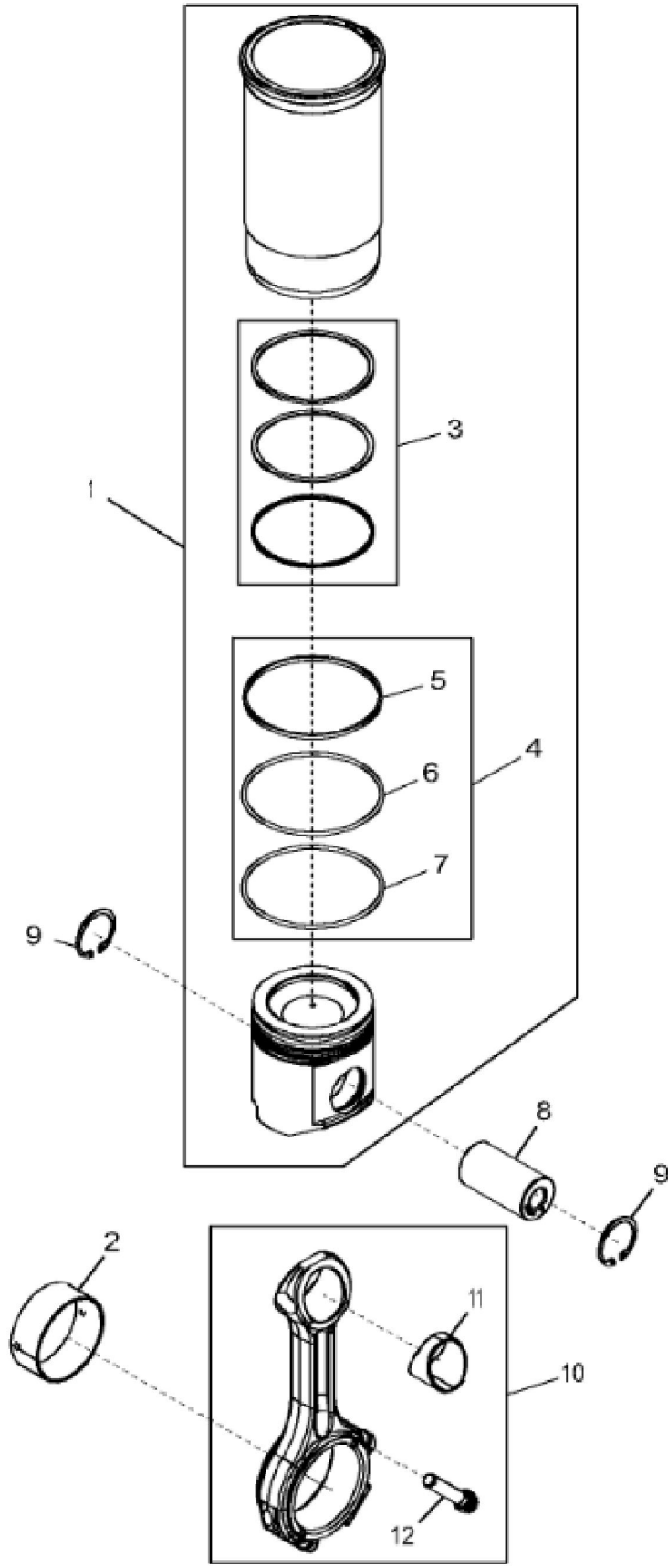


4715\_RE515513\_PCD

John Deere > Construction And Forestry >DOZER, CRAWLER >650K - DOZER, CRAWLER >650K Crawler Dozer (PIN: 1T0650KX\_ E216396 - 275533) Engine 4045HT070 >04 ENGINE 4045HT070-RE543347  
 >0400 ENGINE 4045HT070-RE543347 4045HT070 >ST275044 - 4715 CRANKSHAFT AND BEARINGS

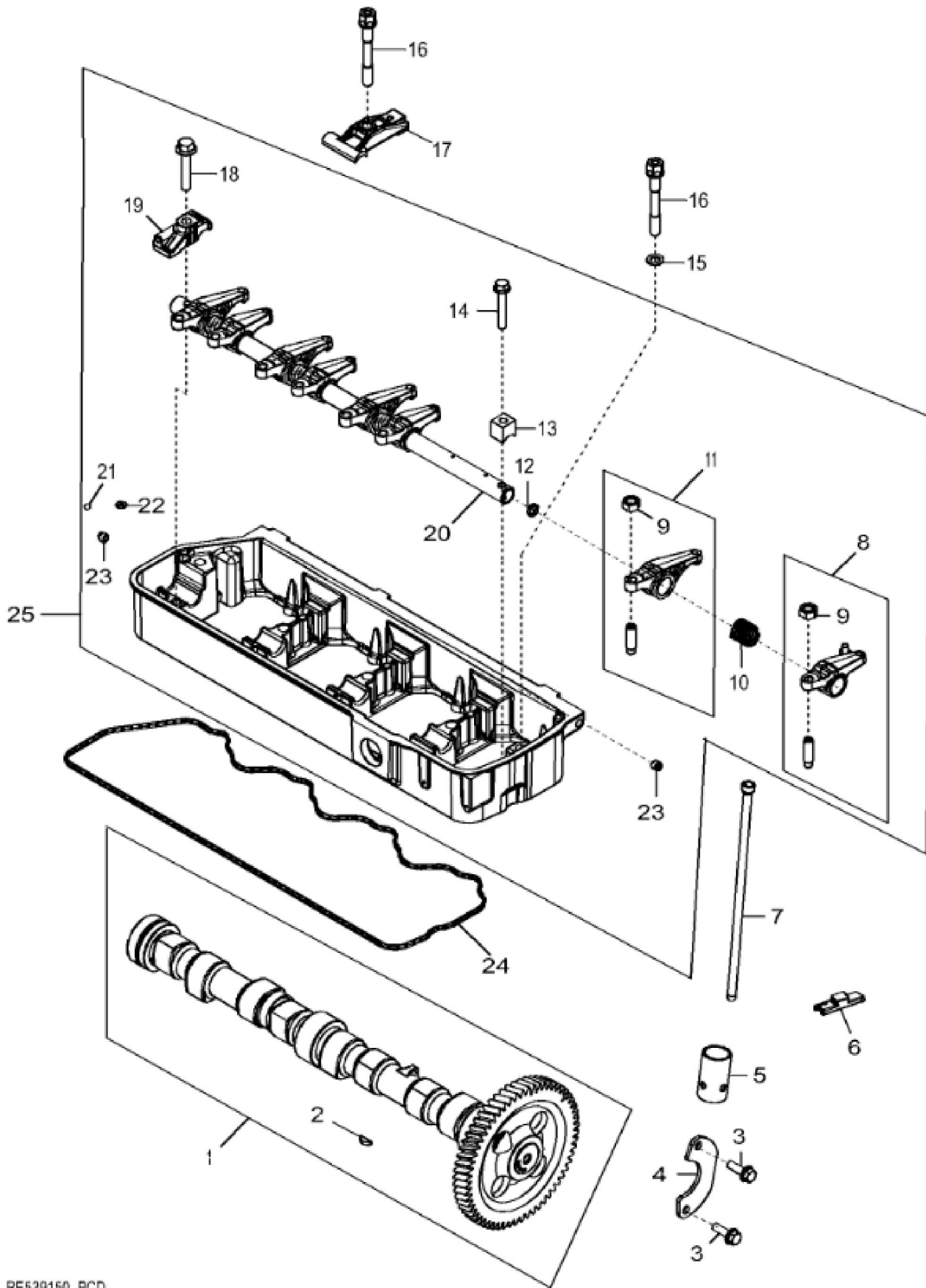
KEY	PART NO.	PART NAME	QTY	REMARKS
1	RE506195	CRANKSHAFT	1	(Grinding Guidelines : See CTM104) (Iron) ALSO ORDER RE538097 AND RE44574
1	SE501656	CRANKSHAFT REMAN	1	(With Bearings) REMAN FOR RE506195
2	R120631	GEAR	1	Z = 30
3	R505609	SHAFT KEY	1	
4	A120R	DOWEL PIN	1	
5	RE65165	BEARING KIT	4	STD KIT, MARKED R123561 AND R123562
5	RE65911	BEARING	1	US -0.254 MM , MARKED R130576 AND R130577
6	RE65168	BEARING KIT	1	STD KIT, MARKED R123563 AND R123564
6	RE65912	THRUST BEARING	1	US -0.254MM , MARKED R130576 AND R130577
7	R135918	BOLT	4	

CONNECTING RODS AND PISTONS



John Deere > Construction And Forestry >DOZER, CRAWLER >650K - DOZER, CRAWLER >650K Crawler Dozer (PIN: 1T0650KX\_ E216396 - 275533) Engine 4045HT070 >04 ENGINE 4045HT070-RE543347  
 >0400 ENGINE 4045HT070-RE543347 4045HT070 >ST402349 - 4851 CONNECTING RODS AND PISTONS

KEY	PART NO.	PART NAME	QTY	REMARKS
1	RE544825	PISTON-LINER KIT	4	PISTON MARKED RE544607
2	RE65908	BEARING	4	KIT (2) R113698
3	RE539423	PISTON RING KIT	4	
4	AR65507	O-RING KIT	4	
5	R48767	PACKING	4	
6	R26121	O-RING	4	
7	R55453	O-RING	4	
8	R502755	PISTON PIN	4	OD = 41 mm; LGTH = 77 mm
9	R54114	SNAP RING	8	
10	RE500608	CONNECTING ROD	4	MARKED R500335
10	SE501094	CONNECTING ROD REMAN	AR	REMAN FOR RE500608
11	R114082	BUSHING	4	
12	R501124	SCREW	8	



Thank you so much for reading.  
Please click the “Buy Now!”  
button below to download the  
complete manual.



After you pay.

You can download the most  
perfect and complete manual in  
the world immediately.

Our support email:

[ebooklibonline@outlook.com](mailto:ebooklibonline@outlook.com)