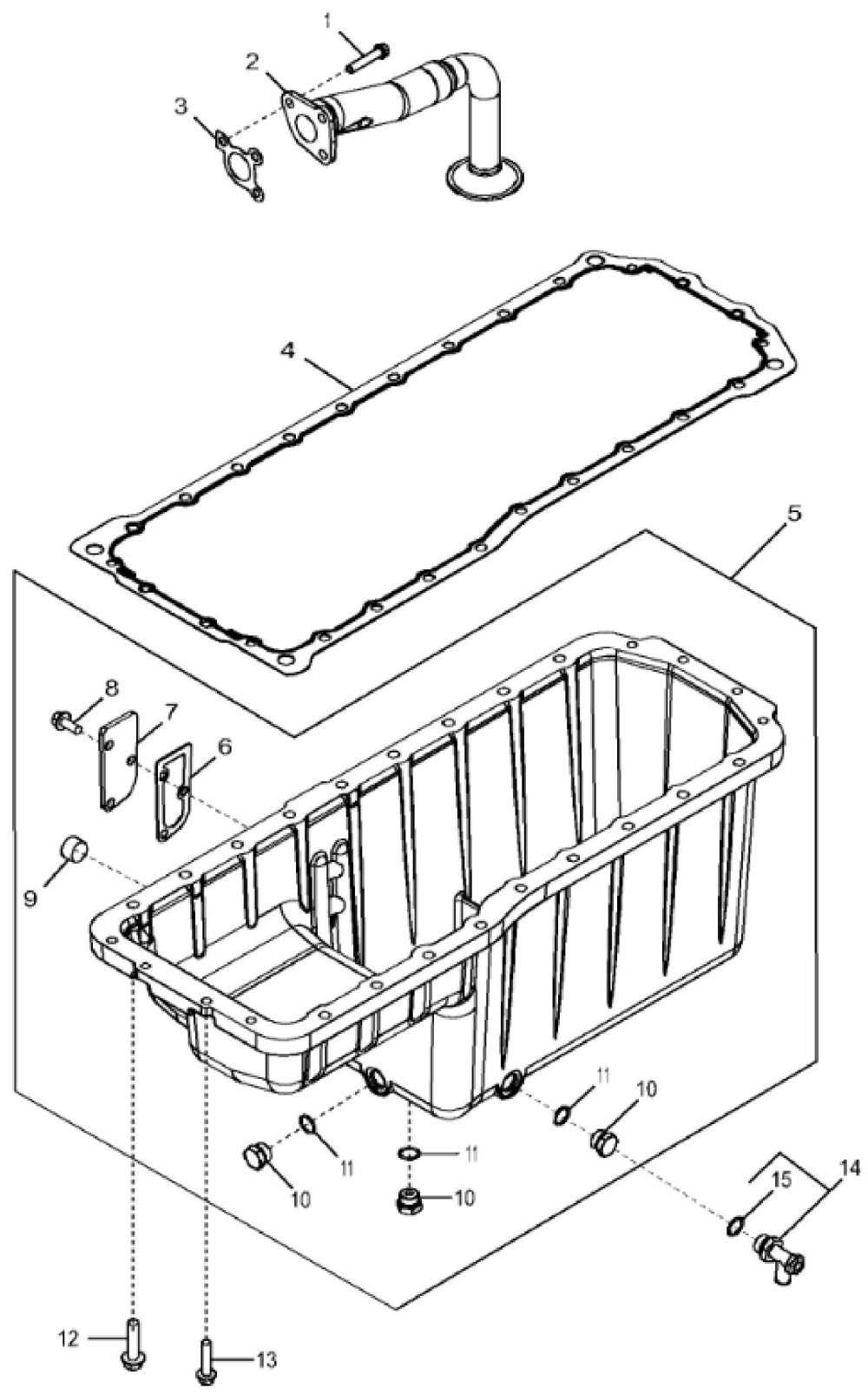


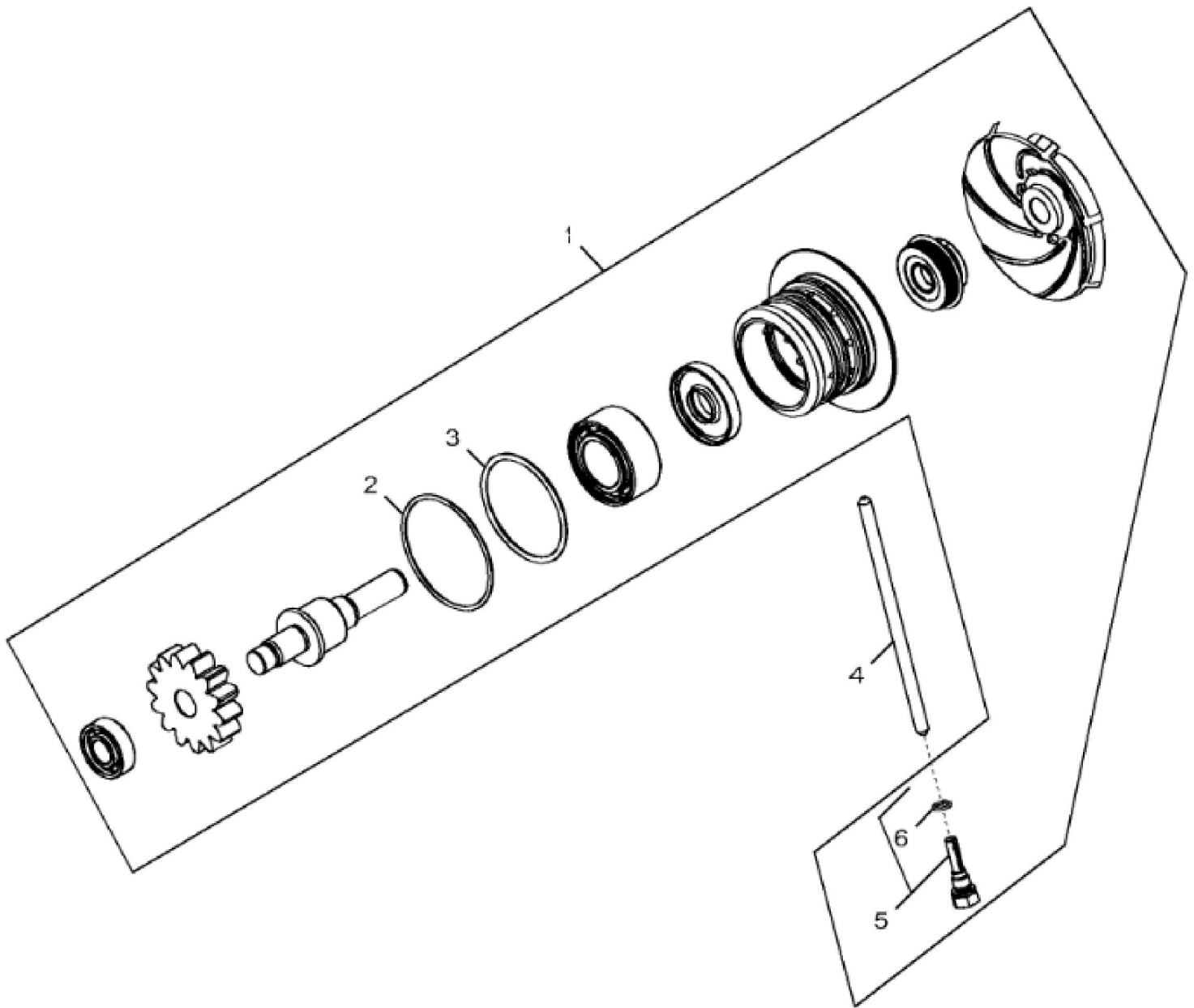
John Deere > Construction And Forestry > EXCAVATOR > 380GLC - EXCAVATOR > 380GLC Excavator (PIN: 1FF380GX__E900001-) > 04 ENGINE 6090HT010-RE537652 > 0400 ENGINE 6090HT010-RE537652
 6090HT010 > ST120863 - 1708 AIR INTAKE MANIFOLD

KEY	PART NO.	PART NAME	QTY	REMARKS
1	19M10270	SCREW	1	M8 X 55
2	19M10075	SCREW	7	M8 X 110
3	R520424	SEALING WASHER	7	ORDER R548750
3	R548750	SEALING WASHER	7	
4	19M10219	SCREW	6	M8 X 80
5	RE545554	INTAKE MANIFOLD	1	ORDER RE550968; MARKED R534758
5	RE550968	INTAKE MANIFOLD	1	
6	R532724	GASKET	1	SUB FOR R531933
7	15H685	PIPE PLUG	1	1/4"
8	RE537639	MANIFOLD AIR PRESS. SENSOR	1	
9	RE537635	TEMPERATURE SENSOR	1	(Manifold Air Temperature Sensor)
10	15H686	PIPE PLUG	2	1"



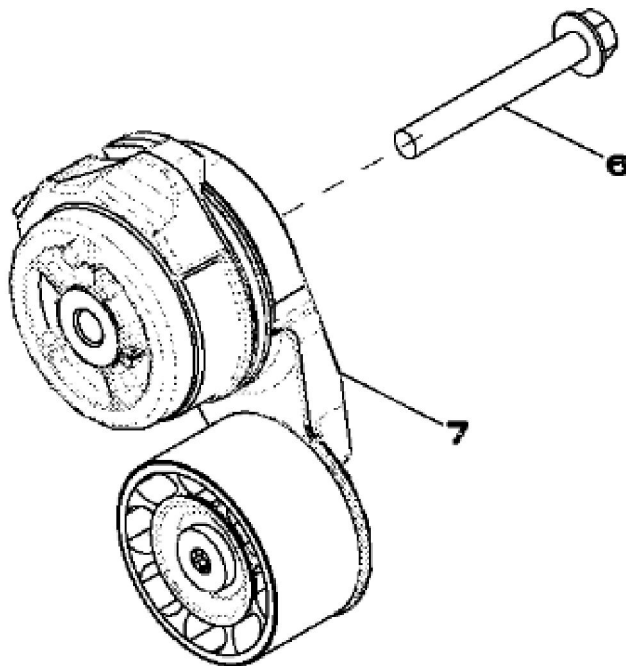
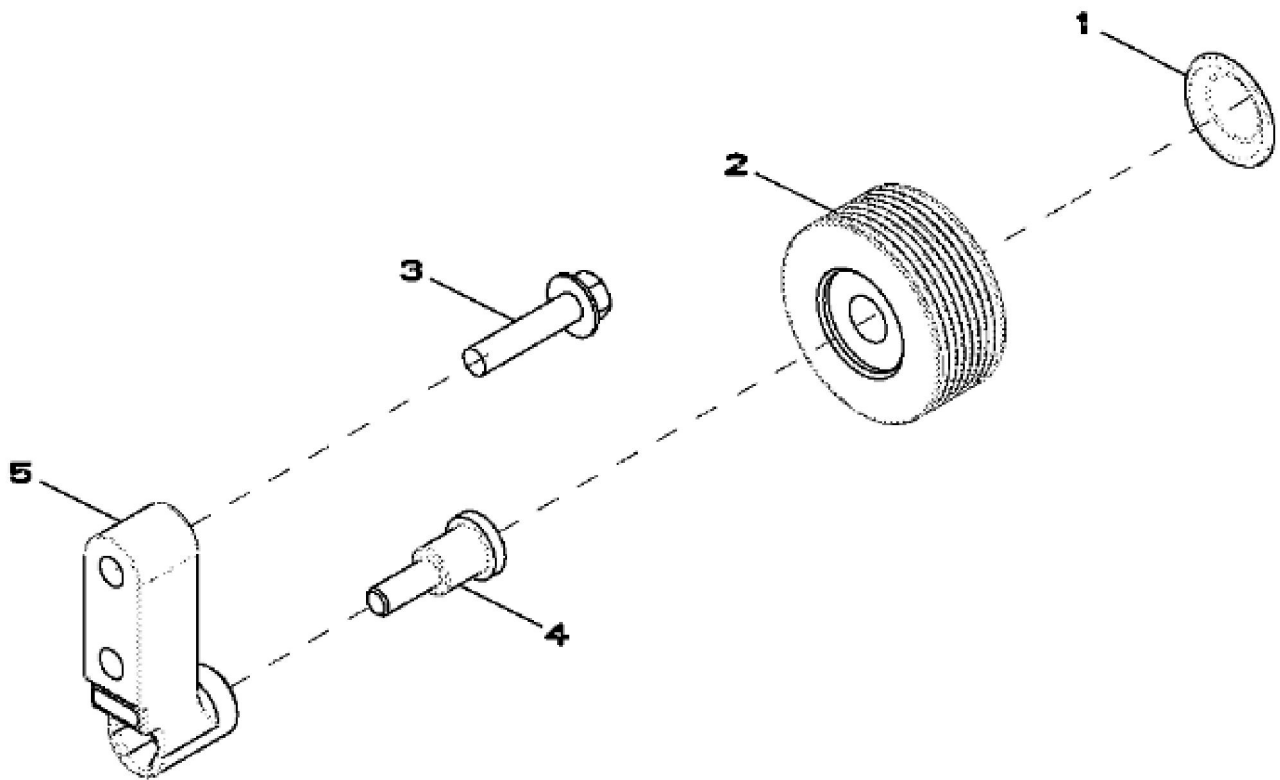
John Deere > Construction And Forestry > EXCAVATOR > 380GLC - EXCAVATOR > 380GLC Excavator (PIN: 1FF380GX__E900001-) > 04 ENGINE 6090HT010-RE537652 > 0400 ENGINE 6090HT010-RE537652
6090HT010 > ST271079 - 1933 OIL PAN

KEY	PART NO.	PART NAME	QTY	REMARKS	
1	R536840	SCREW	3		
2	RE523867	OIL PUMP INTAKE	1		
3	R100569	GASKET	1		
4	R527658	GASKET	1		
5	RE523896	OIL PAN	1		
6	RE63439	GASKET	1		
7	R519285	COVER	1		
8	19M7785	SCREW	3	M10 X 25	
9	15H690	PIPE PLUG	1	3/4"	
10	R27474	DRAIN PLUG	3		
11	R47151	O-RING	3		
12	19M8306	SCREW	18	M12 X 50	
13	19M7806	SCREW	8	M10 X 50	
14	AT152180	DRAIN VALVE	1		
15	R26906	O-RING	1		



John Deere > Construction And Forestry > EXCAVATOR > 380GLC - EXCAVATOR > 380GLC Excavator (PIN: 1FF380GX_ E900001-) > 04 ENGINE 6090HT010-RE537652 > 0400 ENGINE 6090HT010-RE537652
6090HT010 > ST21695 - 2002 WATER PUMP

KEY	PART NO.	PART NAME	QTY	REMARKS	
1	DZ102107	WATER PUMP	1	SUB FOR RE548846 OR RE553432	
1	SE502545	WATER PUMP REMAN	AR	REMAN FOR DZ102107 OR RE553432	
2	RE542557	FITTING	1		
3	51M7039	O-RING	1	8.100 X 1.600 mm	
4	R527385	PIN	1		
5	DZ104600	O-RING KIT	1		
6	R539366	O-RING	1		



RE538057PCDA01

Thank you so much for reading.
Please click the “Buy Now!”
button below to download the
complete manual.



After you pay.

You can download the most
perfect and complete manual in
the world immediately.

Our support email:

ebooklibonline@outlook.com