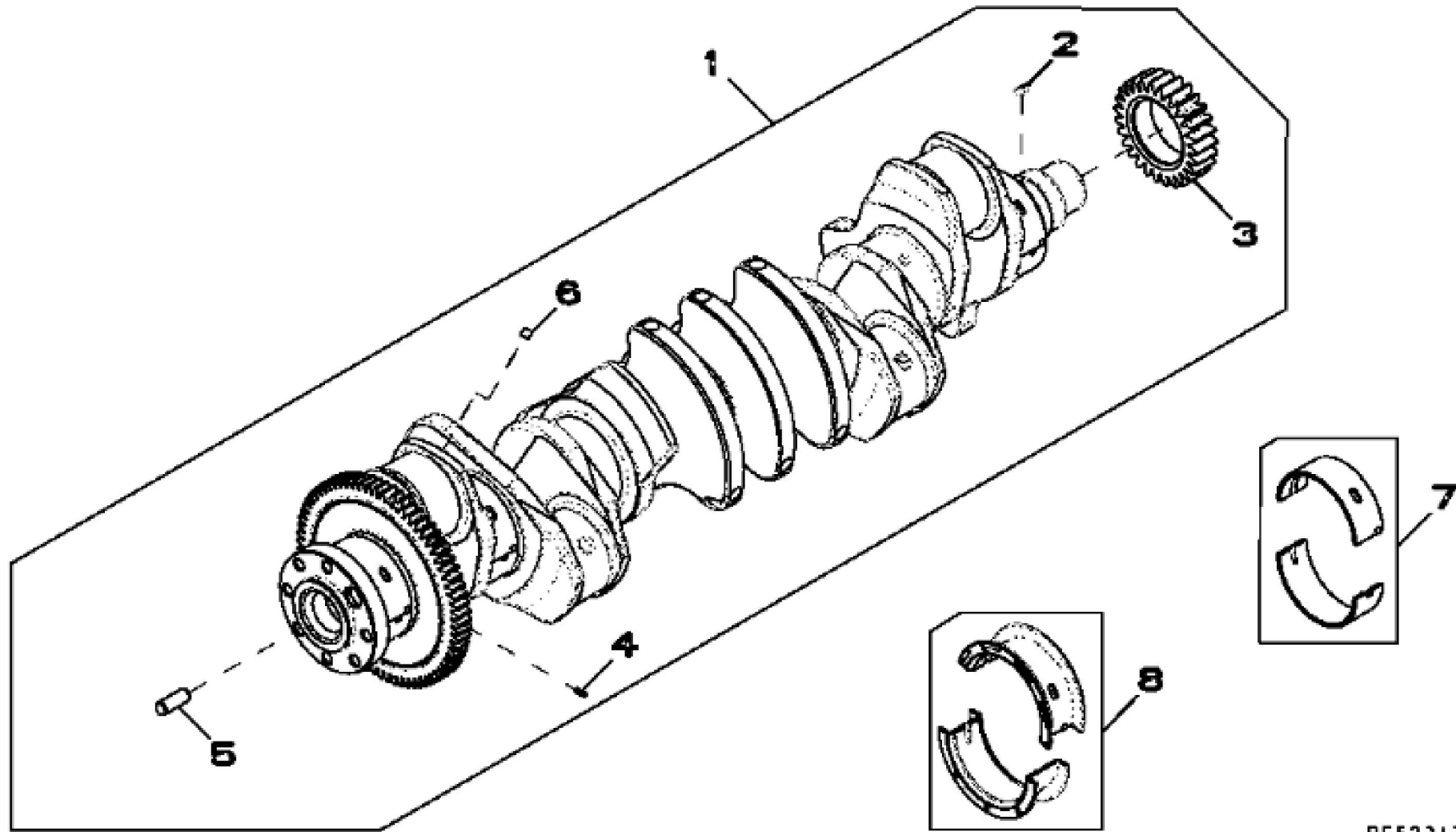


RE523129PCDG06

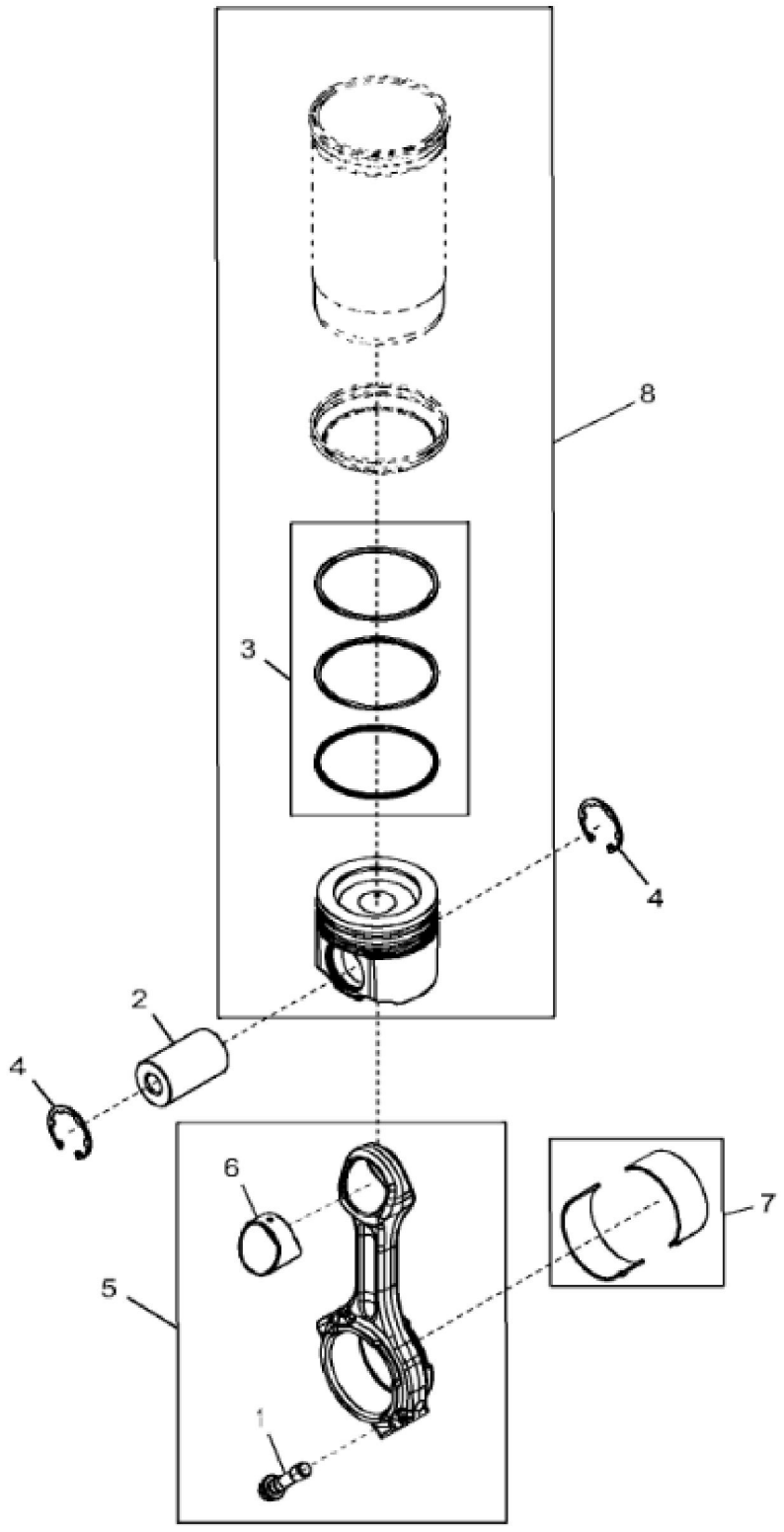
KEY	PART NO.	PART NAME	QTY	REMARKS
1	AT13740	DRAIN VALVE	1	
2	.....	CYLINDER LINER	6	(ORDER RE531072)
3	AR98850	O-RING KIT	6	
4	R54326	O-RING	1	
5	R43409	PLUG	1	
6	RE522991	ORIFICE	6	
7	RE535576	CAM FOLLOWER	12	
8	.....	CYLINDER BLOCK	1	(MARKED R518738 OR R502997 ) (ORDER RE531095)NSEP
9	RE57836	PIPE PLUG	3	
10	RE519144	SENSOR	2	
11	51M7044	O-RING	1	17.300 X 2.200 mm
12	RE71255	PIPE PLUG	5	
13	RE167207	SENSOR	1	
14	R120954	BEARING CAP	1	
15	R519287	CAP SCREW	14	
16	R120953	BEARING CAP	6	
17	R82007	PLUG	1	
18	R527877	BUSHING	6	
19	R522884	CAMSHAFT	1	
19	SE501775	CAMSHAFT REMAN	1	(REMAN FOR R522884)
20	26H91	SHAFT KEY	1	3/16" X 1-1/4"
21	R504811	WASHER	1	
22	R518255	GEAR	1	
23	R518212	GEAR	1	



RE523130PCDE05

John Deere > Construction And Forestry > EXCAVATOR > 380GLC - EXCAVATOR > 380GLC Excavator (PIN: 1FF380GX\_ \_D900001- ) > 04 ENGINE 6090HT002- RE524739-RE524739 > 0400 ENGINE 6090HT002- RE524739-RE524739 6090HT002- RE524739 > ST24815 - 4701 CRANKSHAFT AND BEARINGS

KEY	PART NO.	PART NAME	QTY	REMARKS
1	RE534315	CRANKSHAFT	1	(MARKED R525976 ) (ALSO ORDER RE529775)
1	SE501774	CRANKSHAFT REMAN	1	(WITH BEARINGS) (REMAN FOR RE534315)
2	R120752	KEY	1	
3	R104587	GEAR	1	
4	34M7089	SPRING PIN	1	
5	R41934	DOWEL PIN	1	
6	AT107510	PLUG	1	
7	RE529319	BEARING	6	(MARKED R519427 AND R519428)
8	RE529320	THRUST BEARING	1	(MARKED R519429 AND R519430)



John Deere > Construction And Forestry > EXCAVATOR > 380GLC - EXCAVATOR > 380GLC Excavator (PIN: 1FF380GX\_ \_D900001- ) > 04 ENGINE 6090HT002- RE524739-RE524739 > 0400 ENGINE 6090HT002- RE524739-RE524739 6090HT002- RE524739 > ST30570 - 4801 CONNECTING RODS AND PISTONS

KEY	PART NO.	PART NAME	QTY	REMARKS
1	R542878	CAP SCREW	12	
2	DZ101959	PISTON PIN	6	OD = 47 mm, LGTH = 79 mm, SUB FOR R517073
3	DZ10083	PISTON RING	6	PKG (3), SUB FOR RE539642
4	R519640	SNAP RING	12	
5	DZ100117	CONNECTING ROD	6	MARKED DZ100421, SUB FOR RE517436 OR RE535554
5	SE501759	CONNECTING ROD REMAN	AR	REMAN FOR RE535554
5	SE501748	CONNECTING ROD REMAN	AR	REMAN FOR RE517436
6	R74008	BUSHING	6	
7	RE529318	BEARING	6	KIT; R519454
8	DZ10211	PISTON-LINER KIT	6	PISTON MARKED RE529264, SUB FOR RE545266 OR RE571507



Thank you so much for reading.  
Please click the “Buy Now!”  
button below to download the  
complete manual.



After you pay.

You can download the most  
perfect and complete manual in  
the world immediately.

Our support email:

[ebooklibonline@outlook.com](mailto:ebooklibonline@outlook.com)