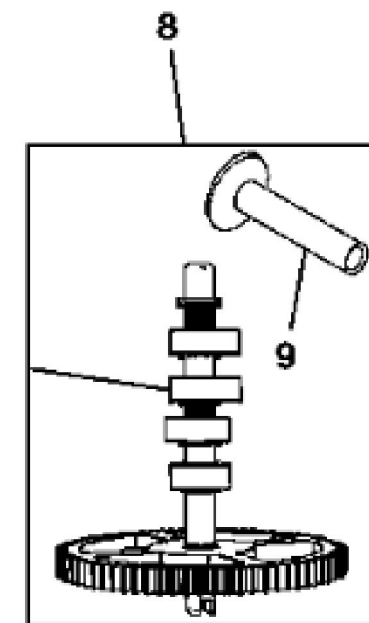
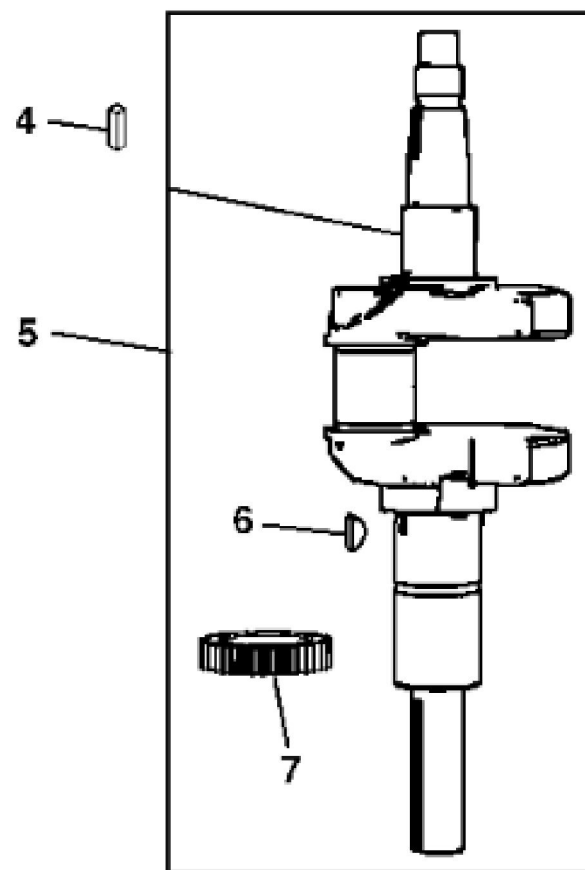
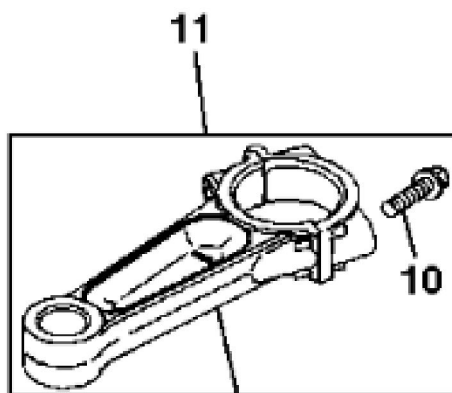
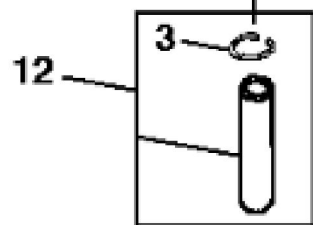
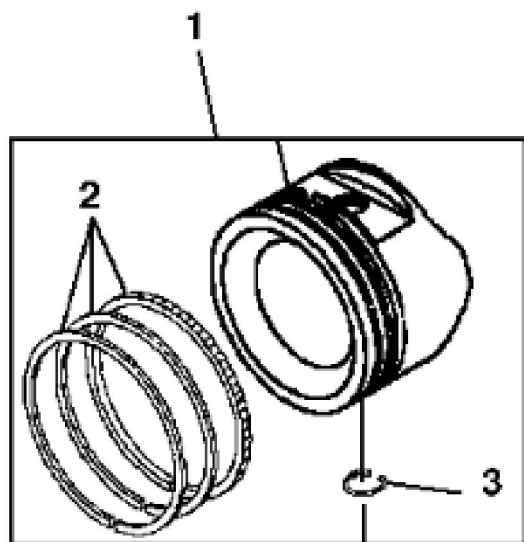


MP42696

John Deere > Turf And Utility >TRACTOR, LAWN AND GARDEN >X130R - TRACTOR, LAWN AND GARDEN >X130R Tractor (100 Series) with 42-Inch Mower Deck >20 ENGINE GU20764 >ST247224 -
CYLINDER BLOCK AND DIPSTICK

KEY	PART NO.	PART NAME	QTY	REMARKS
1	UC11104	DIPSTICK	1	SUB FOR LG499602
2	LG691036	DIPSTICK	1	
3	LG691031	O-RING	1	
4	LG691037	OIL TUBE	1	
5	LG691032	O-RING	1	
6	37H74	SCREW	1	MARKED 405577-0129-B1
6	M153266	SCREW	1	MARKED 405577-0129-B3
7	MIA11345	CYLINDER	1	NLA; ORDER MIA12493
7	MIA13087	CYLINDER BLOCK	1	SUB FOR APPL MIA12493
8	MIA11778	SEAL KIT	1	
9	LG391086S	SEAL	1	
10	LG690959	DOWEL PIN	6	
11	37H74	SCREW	3	
12	MIA10872	BREATHER	1	
13	MIU14443	TUBE	1	SUB FOR MIU11280
14	LG690937	GASKET	1	
15	LG690957	RETAINER	1	
16	MIU11502	BREATHER	1	
17	AM125424	OIL FILTER	1	
18	T77932	O-RING	1	
19	M144897	CAP	1	
20	AM131611	KIT	1	Oil Drain
21	M142896	SCREW	10	
22	PM37469	LIQUID GASKET	AR	(Interchangeable With Breather Gasket)
23	GX24210	SCREW	3	.375"-16 X 1.125, SUB FOR GC00331, Special, Engine Mounting
24	MIU11958	SEAL	1	(Oil)
25	15H638	PIPE PLUG	1	1/8"
26	LG690954	THREADED NIPPLE	1	
27	MIU14436	GASKET	1	SUB FOR M150226 AND MIU13979
28	15H623	PIPE PLUG	1	3/8"
29	MIU12153	SEAL	1	
30	MIA11464	COVER	1	
31	MIU12142	SCREW	3	

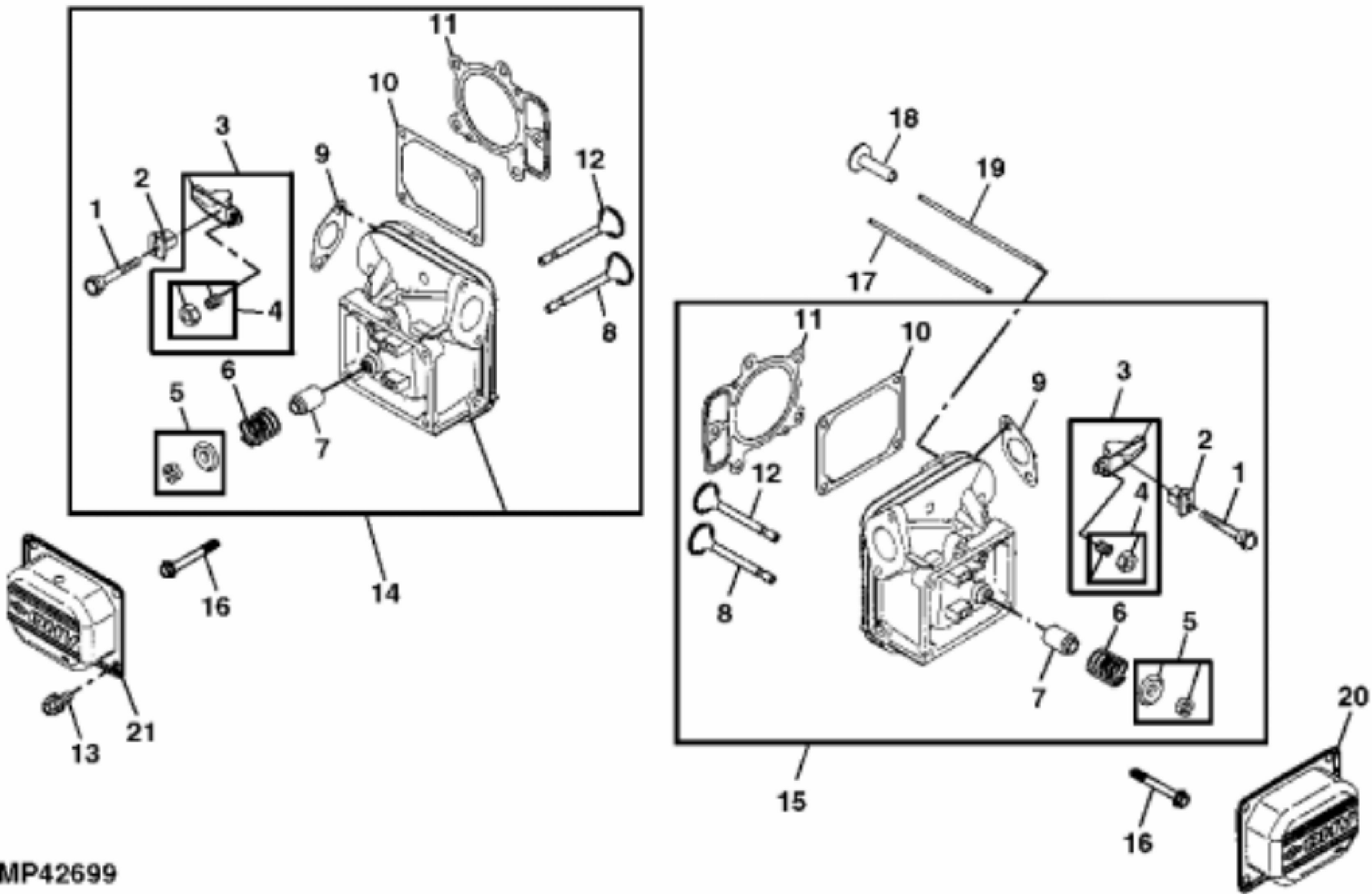
KEY	PART NO.	PART NAME	QTY	REMARKS	
32	MIU12143	OIL PUMP	1		
33	MIU12140	SCREEN	1		
34	MIU11284	SEAL	1	Governor Shaft	
35	MIU12503	BUSHING	1		
36	M142280	WASHER	1		
37	M142286	RETAINER	2		
38	M142282	BUSHING	2		
39	LG691045	CRANK	1	Governor	
40	MIA11584	RESERVOIR	1		
..	MIA11518	GASOLINE ENGINE	1	(MARKED 405577-0129-B1) (SUB MIA11842)	
..	MIA11842	GASOLINE ENGINE	1	(MARKED 405577-0129-B3) (SUB MIA11890)	



MP42698

CRANKSHAFT AND PISTON

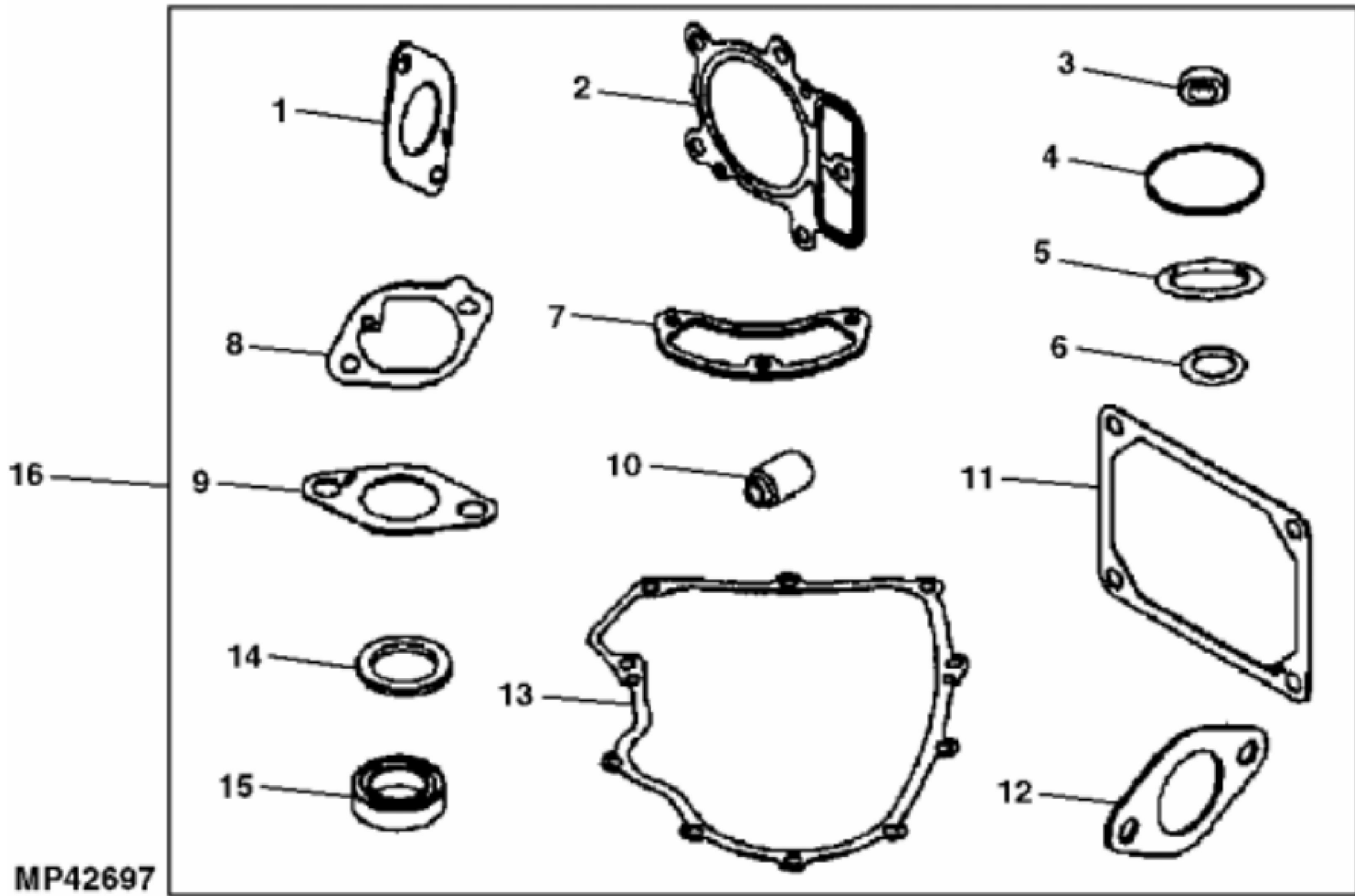
KEY	PART NO.	PART NAME	QTY	REMARKS
1	MIA11346	PISTON	2	STD.
1	MIA11102	PISTON	2	.020" (.50 MM), OS
2	MIU12013	PISTON RING KIT	1	STD.
2	MIU12161	RING	1	.020" (.50 MM), OS
3	LG690975	LOCK	2	
4	LG222698S	SHAFT KEY	1	FLYWHEEL
5	MIA11457	CRANKSHAFT	1	
6	26H67	SHAFT KEY	1	1/8" X 3/8"
7	LG690980	GEAR	1	TIMING
8	MIA10916	CAMSHAFT	1	
9	LG690977	TAPPET	4	
10	LG690976	SCREW	2	
11	MIA11459	CONNECTING ROD	2	
12	MIA11458	PISTON PIN	2	



MP42699

CYLINDER HEAD

KEY	PART NO.	PART NAME	QTY	REMARKS
1	M150390	SCREW	2	
2	MIU11035	PIVOT	2	
3	LG690972	ROCKER ARM	2	
4	LG690083	ADJUSTER	1	
5	LG499586	RETAINER	2	(A) (B) VALVE
6	MIU11281	SPRING	2	
7	LG690968	SEAL	1	(A) VALVE SEAL
8	MIA11171	EXHAUST VALVE	1	(INCLUDES PARTS MARKED (B))
9	LG690970	GASKET	1	EXHAUST
10	LG690971	GASKET	1	ROCKER COVER
10	PM37469	LIQUID GASKET	AR	(INTERCHANGEABLE WITH ROCKER COVER GASKET)
11	M142274	ENGINE CYLINDER HEAD GASKET	1	
12	MIA10874	INTAKE VALVE	1	(INCLUDES PARTS MARKED (A))
13	LG691127	SCREW	8	
14	MIA11455	CYLINDER HEAD	1	(NO.1)
15	MIA11456	CYLINDER HEAD	1	(NO.2)
16	MIU14366	SCREW	10	SUB FOR MIU11632
17	LG690982	PUSH ROD	2	EXHAUST
18	LG690977	TAPPET	4	
19	LG690981	PUSH ROD	2	INTAKE
20	LG499600	COVER	1	ROCKER (NO.2), (INCLUDES LG690971)
21	MIA10873	COVER	1	ROCKER (NO.1), (INCLUDES LG690971)



MP42697

Thank you so much for reading.
Please click the “Buy Now!”
button below to download the
complete manual.



After you pay.

You can download the most
perfect and complete manual in
the world immediately.

Our support email:

ebooklibonline@outlook.com