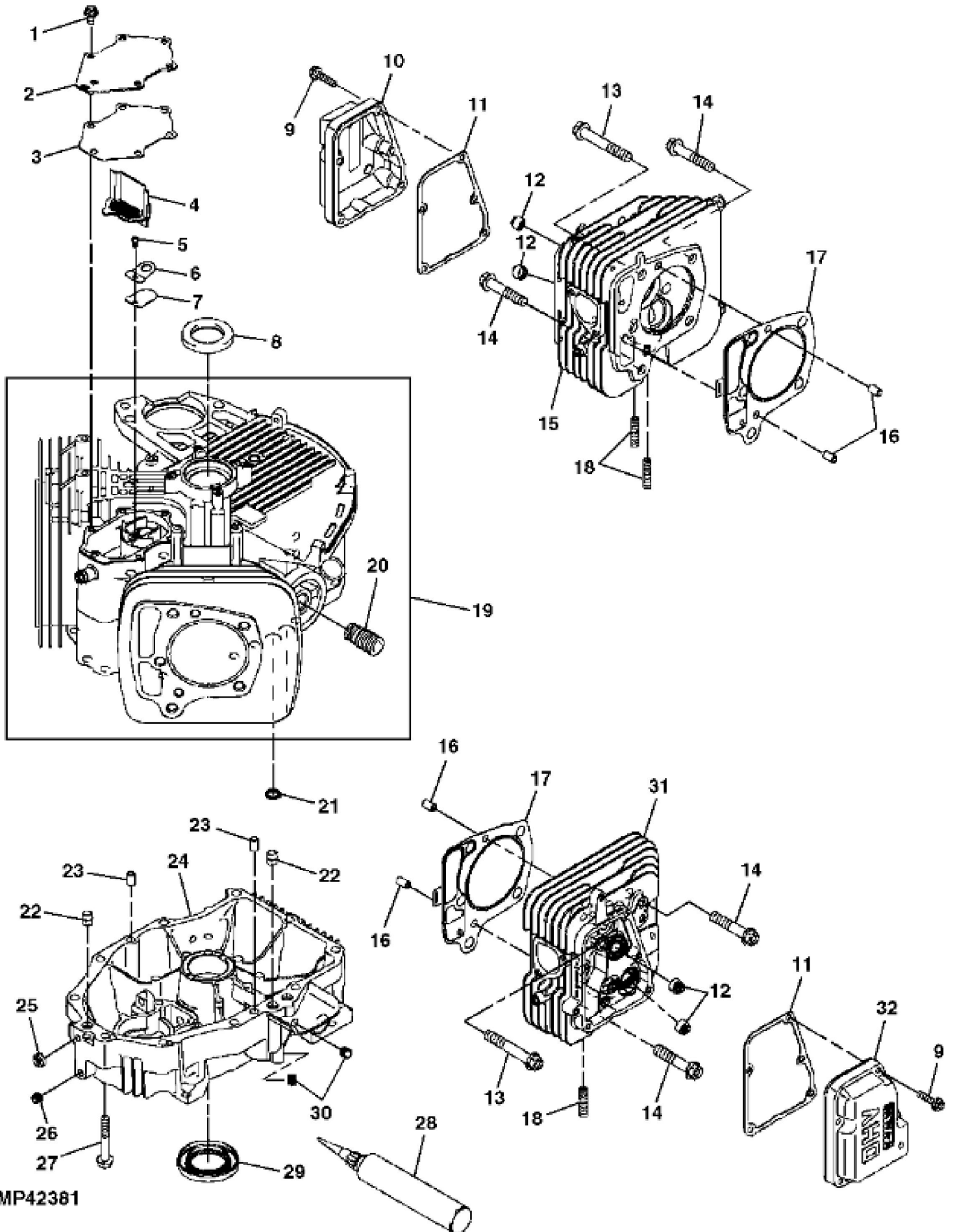


PU03097

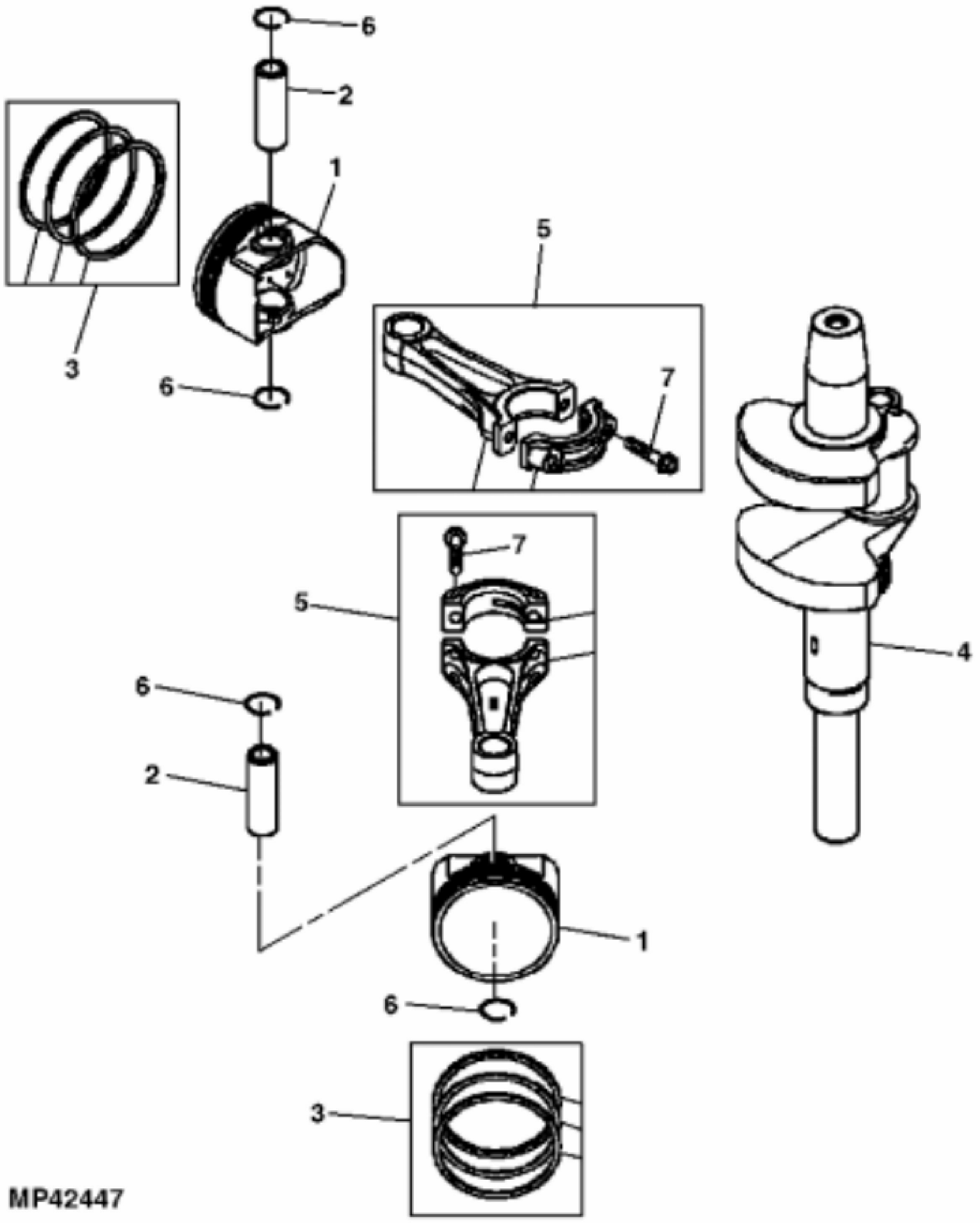
| KEY | PART NO. | PART NAME | QTY | REMARKS | |
|-----|----------|-----------------|-----|---|--|
| 1 | MIA11533 | GASOLINE ENGINE | 1 | NLA; ORDER MIA11913; MARKED FX651V-AS02 | |
| 1 | MIA11913 | GASOLINE ENGINE | 1 | NLA; ORDER MIA12051; MARKED FX651V-BS02 | |
| 1 | MIA12051 | GASOLINE ENGINE | 1 | NLA; ORDER MIA12160; MARKED FX651V-CS02 | |
| 1 | MIA12161 | GASOLINE ENGINE | 1 | NLA; ORDER MIA12252; SUB FOR MIA12160; MARKED FX730V-DS03R | |
| 1 | MIA12252 | GASOLINE ENGINE | 1 | MARKED FX730V-AS20R | |
| 2 | 19H3693 | SCREW | 4 | 3/8" X 1-1/4" | |
| 3 | R97021 | CLAMP | 1 | | |
| 4 | TCU27100 | HOSE | 1 | OIL | |



MP42381

| KEY | PART NO. | PART NAME | QTY | REMARKS |
|-----|----------|-----------------|-----|---|
| 1 | MIU11325 | BOLT | 6 | |
| 2 | MIU12397 | COVER | 1 | BREATHER |
| 3 | MIU12395 | GASKET | 1 | |
| 4 | MIU12398 | PIPE | 1 | BREATHER |
| 5 | 21M7244 | SCREW | 1 | M4 X 8 |
| 6 | MIU11767 | PLATE | 1 | NLA; ORDER MIU13821; Breather |
| 6 | MIU13821 | PLATE | 1 | Breather |
| 7 | MIU11769 | VALVE | 1 | BREATHER |
| 8 | M149281 | SEAL | 1 | |
| 9 | 19M7863 | SCREW | 10 | M6 X 25 |
| 10 | MIU12392 | CASE | 1 | NLA; ORDER MIU13778; ROCKER |
| 10 | MIU13778 | CASE | 1 | |
| 11 | MIU12394 | GASKET | 2 | |
| 12 | M138389 | SEAL | 4 | |
| 13 | MIU12209 | BOLT | 6 | |
| 14 | MIU11776 | BOLT | 4 | M10 X 50 |
| 15 | MIU12390 | CYLINDER HEAD | 1 | NO. 1 |
| 16 | M74252 | PIN | 4 | |
| 17 | MIU12396 | GASKET | 2 | |
| 18 | M138395 | STUD | 4 | NLA; ORDER MIU11736 |
| 18 | MIU11736 | BOLT | 4 | NLA; ORDER MIU12726 |
| 18 | MIU12726 | STUD | 4 | |
| 19 | MIA11614 | CRANKCASE | 1 | (USE WITH MIA11533) |
| 19 | MIA11933 | CRANKCASE | 1 | NLA; ORDER MIA12337; (USE WITH MIA11913, MIA12051) |
| 19 | MIA12337 | CRANKCASE | 1 | |
| 20 | M127431 | ADAPTER FITTING | 1 | USE WITH MIA11933 |
| 20 | MIU13767 | ADAPTER FITTING | 1 | USE WITH MIA12337 |
| 21 | M76104 | O-RING | 2 | |
| 22 | MIU14507 | PIPE | 1 | SUB FOR MIU11770 |
| 23 | M74252 | PIN | 2 | |
| 24 | MIU12399 | COVER | 1 | CRANKCASE, (USE WITH MIA11533) |
| 24 | MIU13011 | COVER | 1 | NLA; ORDER MIA12754; CRANKCASE, (USE WITH MIA11913, MIA12051) |

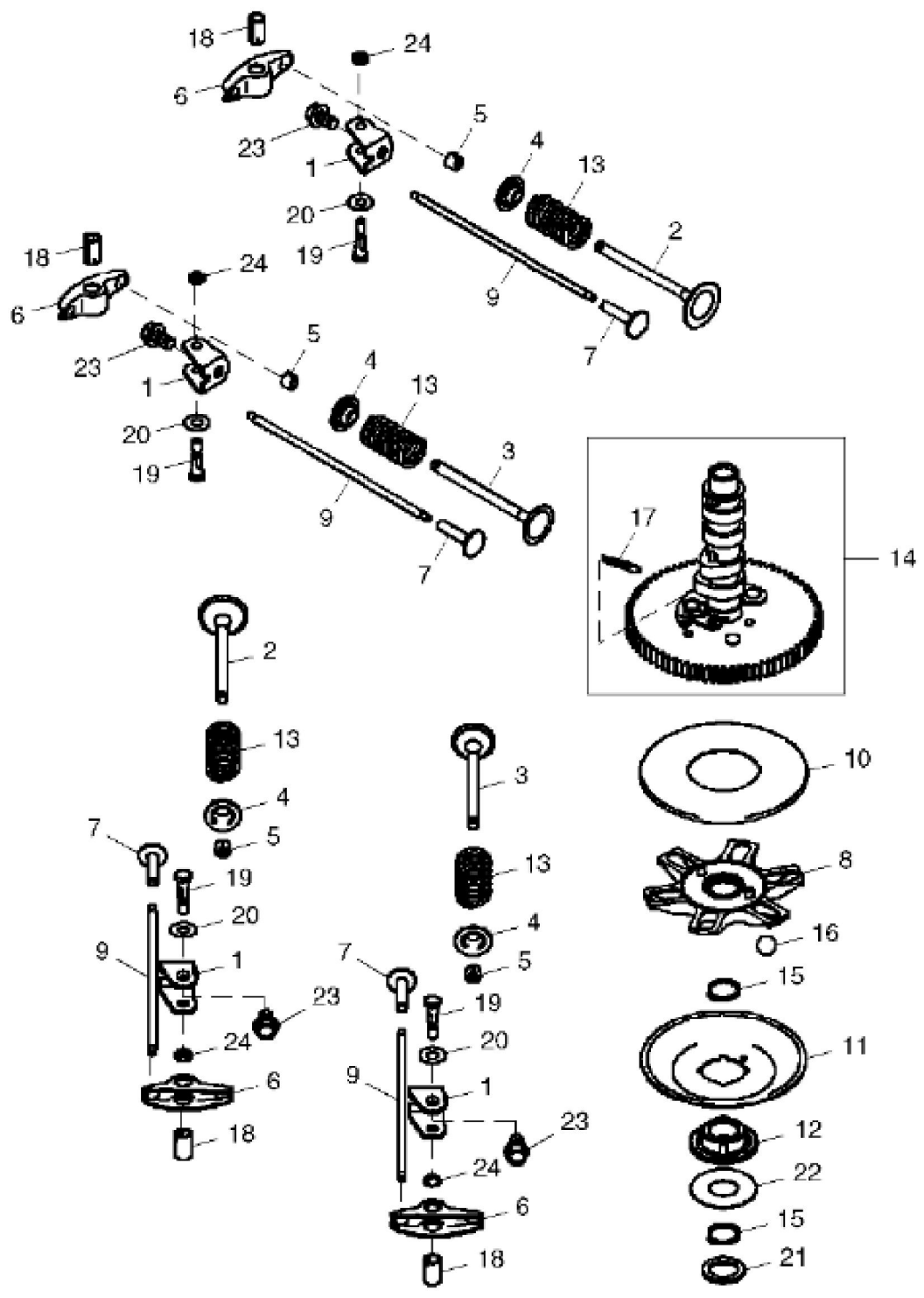
| KEY | PART NO. | PART NAME | QTY | REMARKS |
|-----|----------|---------------|-----|--|
| 24 | MIA12754 | CRANKCASE | 1 | INCLUDES MIU12401, MIU14001 AND M123645; Crankcase Cover Kit |
| 25 | M138392 | SEAL | 1 | NLA; ORDER M151774 |
| 25 | M151774 | SEAL | 1 | |
| 26 | MIU12401 | PLUG | 1 | |
| 27 | 19M8319 | SCREW | 10 | M8 X 50 |
| 28 | M64850 | LIQUID GASKET | AR | |
| 29 | MIU12400 | SEAL | 1 | |
| 30 | M147270 | PLUG | 2 | NLA; ORDER MIU14001 |
| 30 | MIU14001 | PLUG | 2 | |
| 31 | MIU12391 | CYLINDER HEAD | 1 | NO. 2 |
| 32 | MIU12393 | COVER | 1 | ORDER MIU13779; Rocker |
| 32 | MIU14499 | COVER | 1 | SUB FOR MIU13779; Rocker |



MP42447

John Deere > Turf And Utility >TRACTOR, LAWN AND GARDEN >Z910A - TRACTOR, LAWN AND GARDEN >Z910A ZTrak Pro Series Mower >20 ENGINE TCM12337 >ST485533 - PISTON AND CRANKSHAFT

| KEY | PART NO. | PART NAME | QTY | REMARKS | |
|-----|----------|-----------------|-----|---------------------|--|
| 1 | MIU12403 | PISTON | 2 | STD | |
| 1 | MIU12407 | PISTON | 2 | 0.50 MM (.010") OS | |
| 2 | MIU12404 | PISTON PIN | 2 | NLA; ORDER MIU13270 | |
| 2 | MIU13270 | PISTON PIN | 2 | | |
| 3 | MIU12405 | PISTON RING KIT | 2 | STD | |
| 3 | MIU12406 | PISTON RING KIT | 2 | 0.50 MM (.010") OS | |
| 4 | MIU12492 | CRANKSHAFT | 1 | | |
| 5 | MIA11615 | CONNECTING ROD | 2 | | |
| 6 | MIU12408 | SNAP RING | 4 | | |
| 7 | M146763 | BOLT | 2 | | |



MP64526

Thank you so much for reading.
Please click the “Buy Now!”
button below to download the
complete manual.



After you pay.

You can download the most
perfect and complete manual in
the world immediately.

Our support email:

ebooklibonline@outlook.com