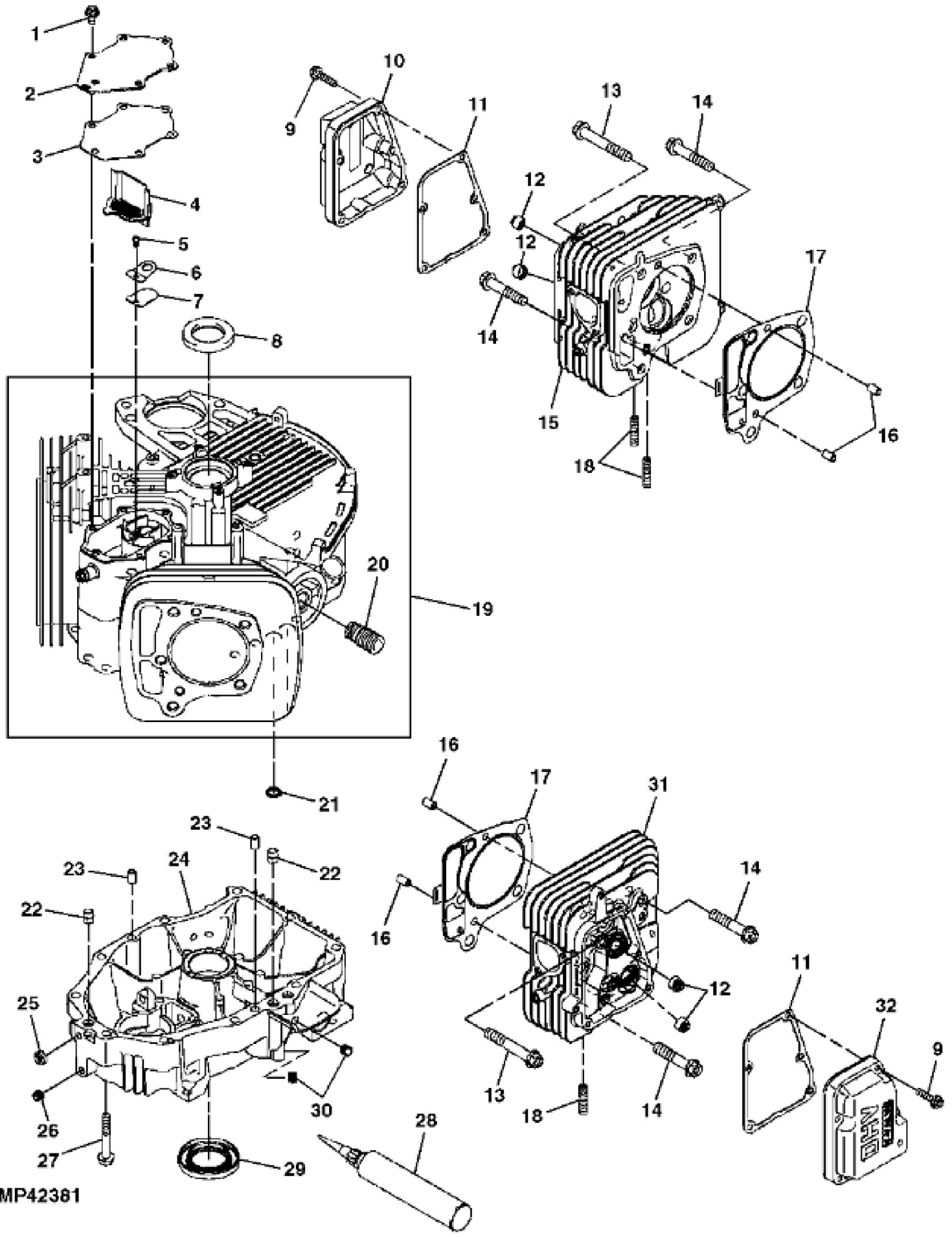


PU03097

KEY	PART NO.	PART NAME	QTY	REMARKS	
1	MIA11425	GASOLINE ENGINE	1	MARKED FX730V-AS03; ORDER MIA11914	
1	MIA11914	GASOLINE ENGINE	1	MARKED FX730V-BS03; ORDER MIA12052	
1	MIA12052	GASOLINE ENGINE	1	MARKED FX730V; 26HP; ORDER MIA12161;	
1	MIA12161	GASOLINE ENGINE	1	MARKED FX730V-DS03R; ORDER MIA12252	
1	MIA12252	GASOLINE ENGINE	1	MARKED FX730V-AS20R	
2	19H3693	SCREW	4	3/8" X 1-1/4"	
3	R97021	CLAMP	1	Spring Steel	
4	TCU27100	HOSE	1	Oil Drain	

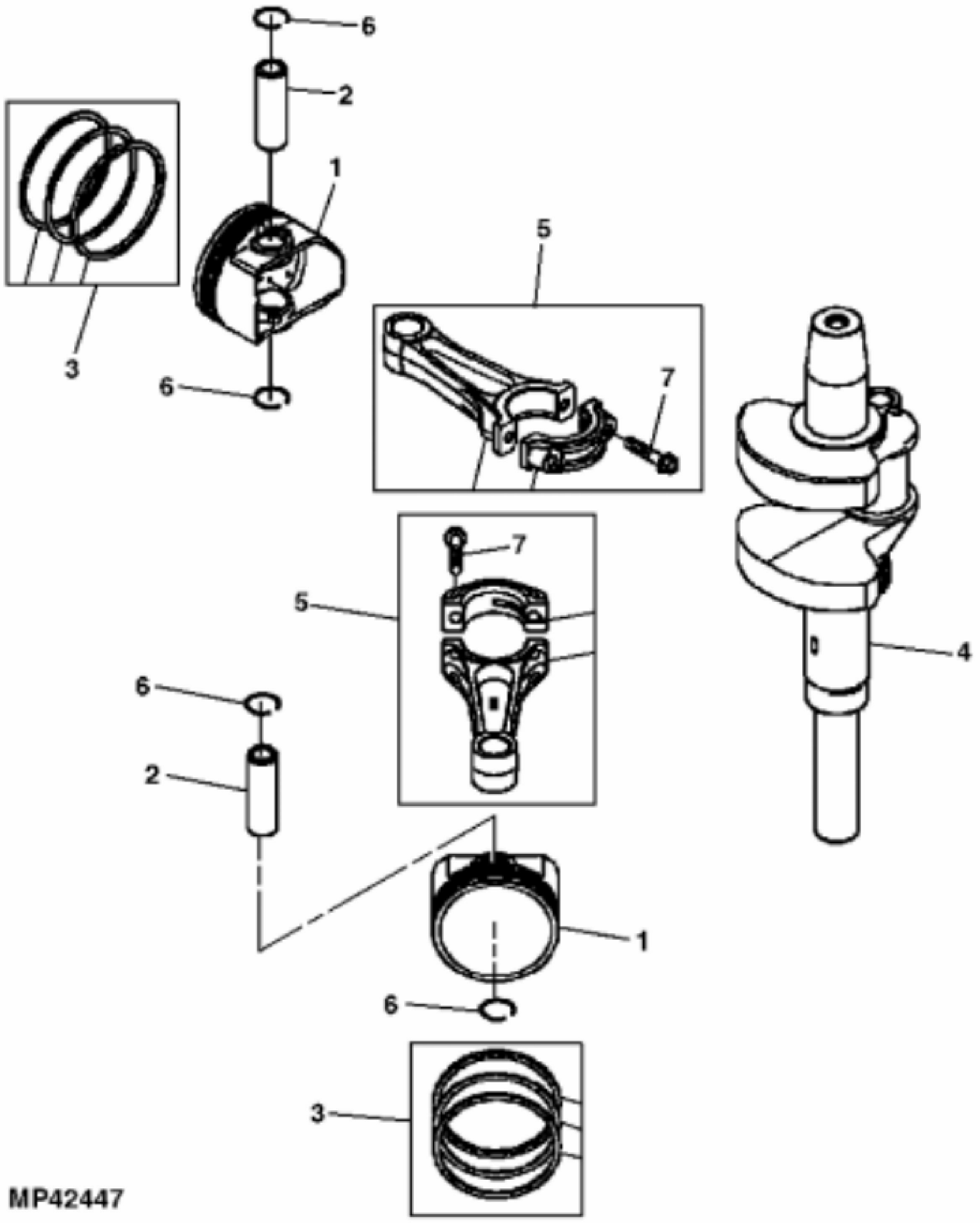


MP42381

John Deere > Turf And Utility >TRACTOR, LAWN AND GARDEN >Z920A - TRACTOR, LAWN AND GARDEN >Z920A ZTrak Pro Series Mower >20 ENGINE TCM12337 >ST485612 - CYLINDER HEADS AND CRANKCASE

KEY	PART NO.	PART NAME	QTY	REMARKS
1	MIU11325	BOLT	6	
2	MIU12397	COVER	1	BREATHER
3	MIU12395	GASKET	1	
4	MIU12398	PIPE	1	BREATHER
5	21M7244	SCREW	1	M4 X 8
6	MIU11767	PLATE	1	NLA; ORDER MIU13821; Breather
6	MIU13821	PLATE	1	Breather
7	MIU11769	VALVE	1	BREATHER
8	M149281	SEAL	1	
9	19M7863	SCREW	10	M6 X 25
10	MIU12392	CASE	1	NLA; ORDER MIU13778; Rocker
10	MIU13778	CASE	1	Rocker
11	MIU12394	GASKET	2	
12	M138389	SEAL	4	
13	MIU12209	BOLT	6	
14	MIU11776	BOLT	4	M10 X 50
15	MIU12390	CYLINDER HEAD	1	NO. 1
16	M74252	PIN	4	
17	MIU12396	GASKET	2	
18	M138395	STUD	4	NLA; ORDER MIU11736
18	MIU11736	BOLT	4	NLA; ORDER MIU12726
18	MIU12726	STUD	4	
19	MIA11933	CRANKCASE	1	NLA; ORDER MIA12337
19	MIA12337	CRANKCASE	1	
20	M127431	ADAPTER FITTING	1	USE WITH MIA11933
20	MIU13767	ADAPTER FITTING	1	USE WITH MIA12337
21	M76104	O-RING	2	
22	MIU14507	PIPE	1	SUB FOR MIU11770
23	M74252	PIN	2	
24	MIU13011	COVER	1	CRANKCASE
25	M138392	SEAL	1	NLA; ORDER M151774
25	M151774	SEAL	1	
26	MIU12401	PLUG	1	
27	19M8319	SCREW	10	M8 X 50

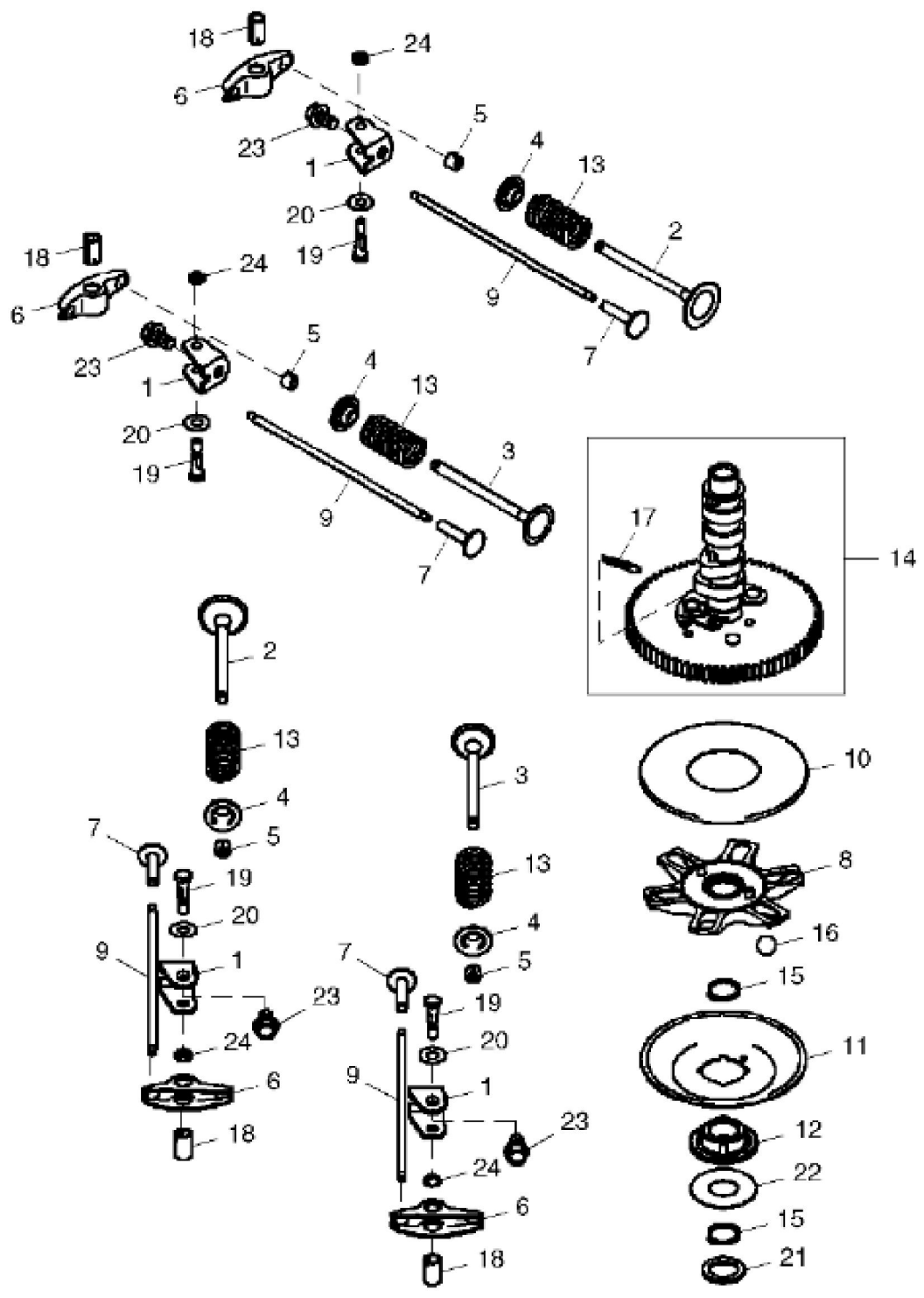
KEY	PART NO.	PART NAME	QTY	REMARKS	
28	M64850	LIQUID GASKET	AR		
29	MIU12400	SEAL	1		
30	M147270	PLUG	2	NLA; ORDER MIU14001	
30	MIU14001	PLUG	2		
31	MIU12391	CYLINDER HEAD	1	NO. 2	
32	MIU12393	COVER	1	ORDER MIU13779; Rocker	
32	MIU14499	COVER	1	SUB FOR MIU13779; Rocker	



MP42447

John Deere > Turf And Utility >TRACTOR, LAWN AND GARDEN >Z920A - TRACTOR, LAWN AND GARDEN >Z920A ZTrak Pro Series Mower >20 ENGINE TCM12337 >ST485533 - PISTON AND CRANKSHAFT

KEY	PART NO.	PART NAME	QTY	REMARKS
1	MIU12403	PISTON	2	STD
1	MIU12407	PISTON	2	0.50 MM (.010") OS
2	MIU12404	PISTON PIN	2	NLA; ORDER MIU13270
2	MIU13270	PISTON PIN	2	
3	MIU12405	PISTON RING KIT	2	STD
3	MIU12406	PISTON RING KIT	2	0.50 MM (.010") OS
4	MIU12492	CRANKSHAFT	1	
5	MIA11615	CONNECTING ROD	2	
6	MIU12408	SNAP RING	4	
7	M146763	BOLT	2	



MP64526

Thank you so much for reading.
Please click the “Buy Now!”
button below to download the
complete manual.



After you pay.

You can download the most
perfect and complete manual in
the world immediately.

Our support email:

ebooklibonline@outlook.com