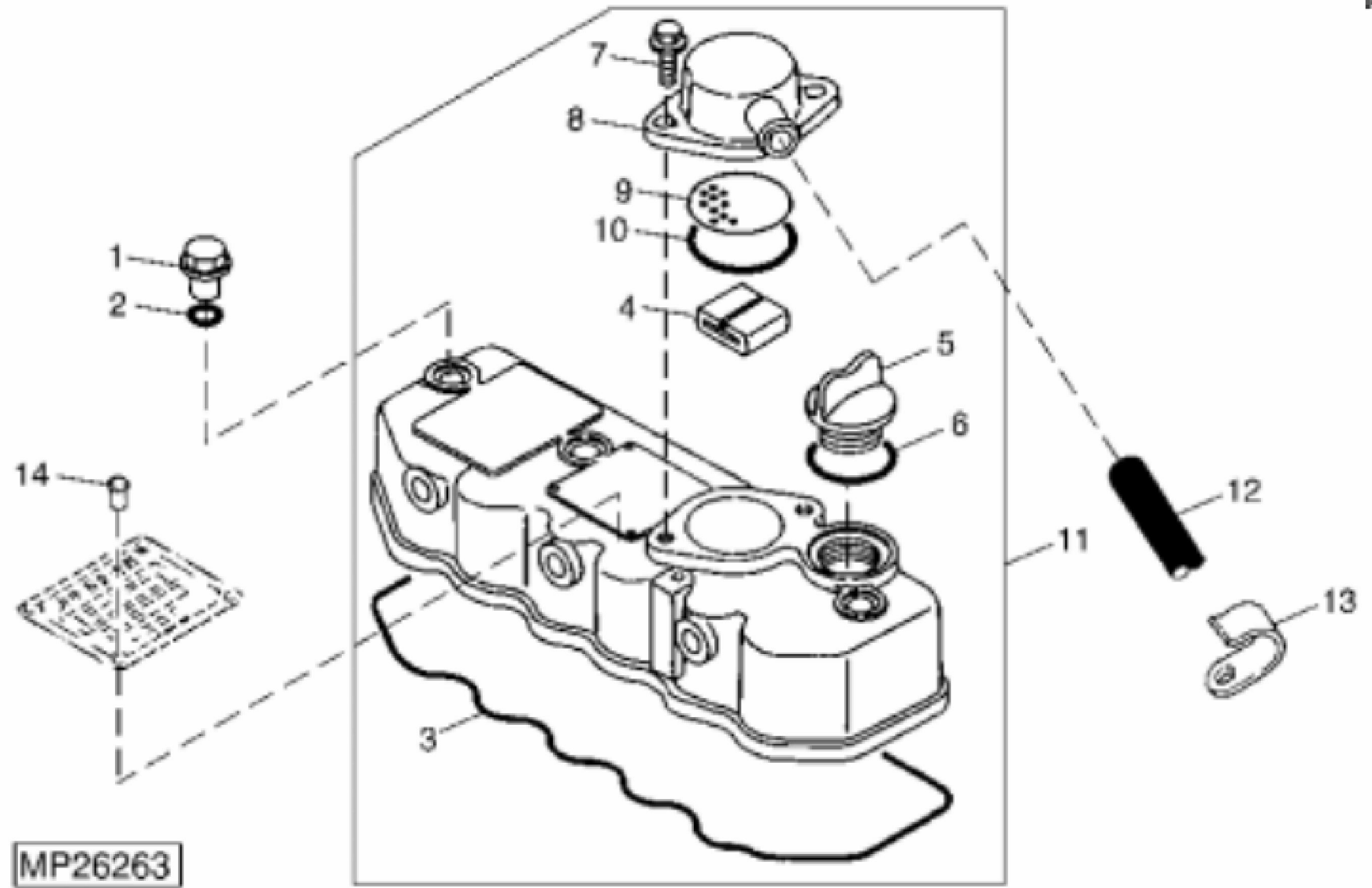


MP26261

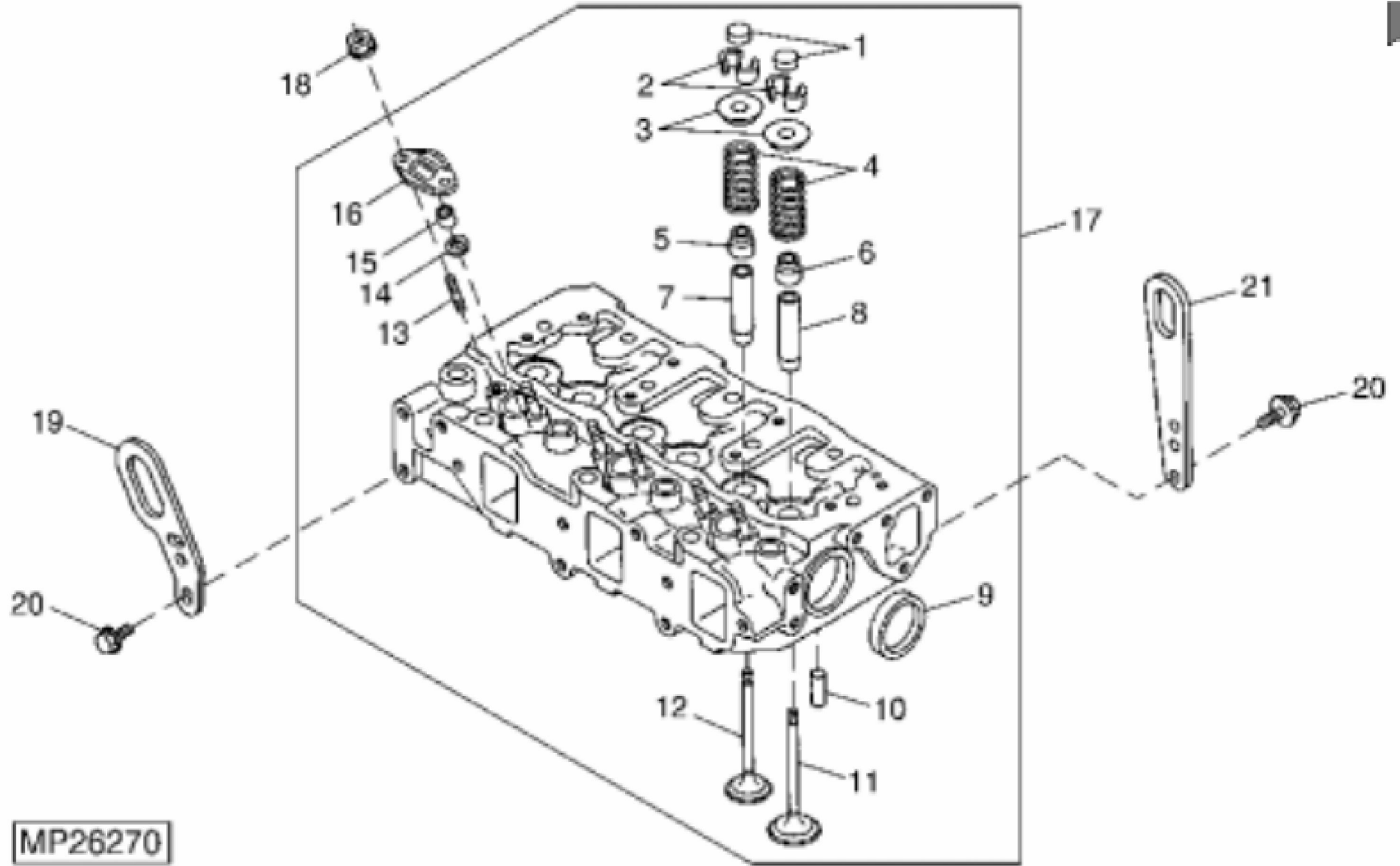
KEY	PART NO.	PART NAME	QTY	REMARKS
1	M801186	BOLT	14	
2	M806811	ENGINE CYLINDER HEAD GASKET	1	
3	M809565	PLUG	1	
4	CH10335	PLUG	3	
5	M802255	PIN	4	
6	EPC200680	PLUG	1	
7	CH18079	SPRING PIN	2	
8	30M7023	PLUG	6	
9	15H562	PIPE PLUG	1	1"
10	MIU800573	CAMSHAFT	1	BUSH (SUB FOR M800977)
11	M800978	SHAFT	1	IDLER GEAR
12	CH19101	BOLT	2	
13	M87801	PLUG	2	
14	M800974	PIPE	2	
15	AM875373	BEARING KIT	2	STD
16	AM875371	BEARING KIT	4	STD
16	AM875374	BEARING KIT	4	.25MM (.010"), US
17	M801189	BOLT	8	
18	AM878845	CYLINDER BLOCK	1	
..	AM880569	SHORT BLOCK ASSEMBLY	1	COMPLETE
..	AM129752	DIESEL ENGINE	1	COMPLETE (SUBAM880569)



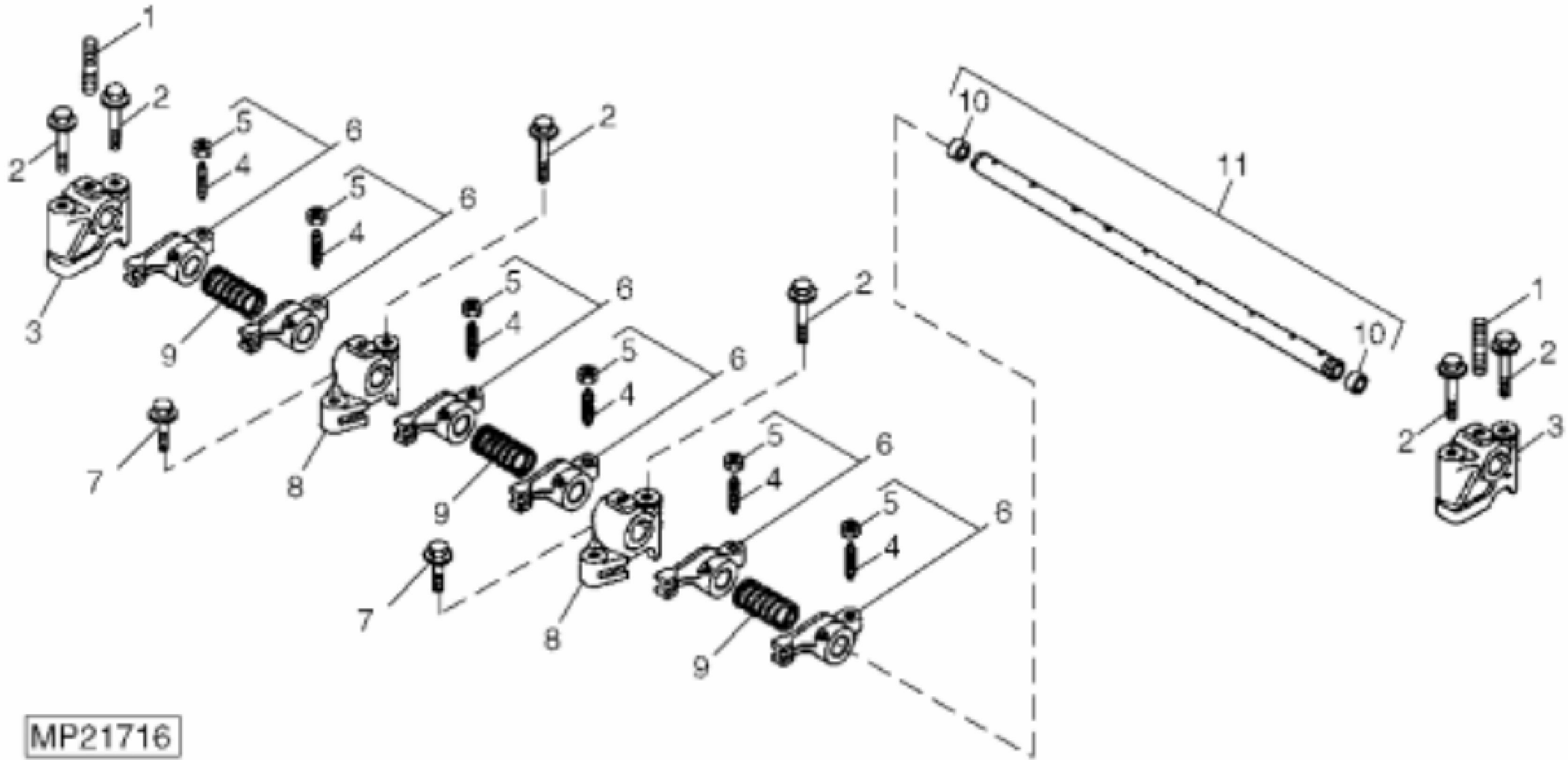
MP26263

John Deere > Turf And Utility > MOWER, FRONT > 3TNV88 - MOWER, FRONT > 1565 Front Mower > 20 DIESEL ENGINE (EJMA) TCM10510 (- 030000) > ST451916 - CYLINDER HEAD COVER AND GASKETS (- 030000)

KEY	PART NO.	PART NAME	QTY	REMARKS	
1	CH10348	NUT	3		
2	CH10568	PACKING	3		
3	M801741	PACKING	1		
4	M801032	DEFLECTOR	1		
5	M805710	CAP	1		
6	M805711	PACKING	1		
7	19M7865	SCREW	2	M8 X 16	
8	M801031	CAP	1	BREATHER	
9	M801033	PLATE	1		
10	M801034	O-RING	1		
11	VALVE COVER	1	COMPLETE	
12	M804268	HOSE	1		
13	R72853	CLAMP	1		
14	CH10061	RIVET	4		



KEY	PART NO.	PART NAME	QTY	REMARKS
1	M801224	CAP	6	
2	AM878862	RETAINER KIT	6	VALVE RETAINER (INCLUDES 2 SIDES)
3	M801223	RETAINER	6	
4	M801222	SPRING	6	
5	T110650	SEAL	3	EXHAUST
6	CH10450	SEAL	3	INTAKE
7	M801228	GUIDE	3	EXHAUST
8	M801227	GUIDE	3	INTAKE
9	CH16751	PLUG	2	
10	CH18079	SPRING PIN	2	
11	M801220	INTAKE VALVE	3	
12	M811796	EXHAUST VALVE	3	(SUB FOR M801221) (SUB MIU800494)
12	MIU800494	EXHAUST VALVE	3	(SUB FOR M811796)
13	M801219	BOLT	6	
14	M801017	VALVE SEAT	3	
15	M801016	SEAL	3	(SUB FOR M806732 OR M810460)
16	M801018	RETAINER	3	
17	AM880362	CYLINDER HEAD	1	
18	14M7303	FLANGE NUT	6	M6
19	MIU800461	BRACKET	1	(SUB FOR M800066)
20	CH19780	BOLT	2	
21	AT211695	BRACKET	1	



Thank you so much for reading.
Please click the “Buy Now!”
button below to download the
complete manual.



After you pay.

You can download the most
perfect and complete manual in
the world immediately.

Our support email:

ebooklibonline@outlook.com