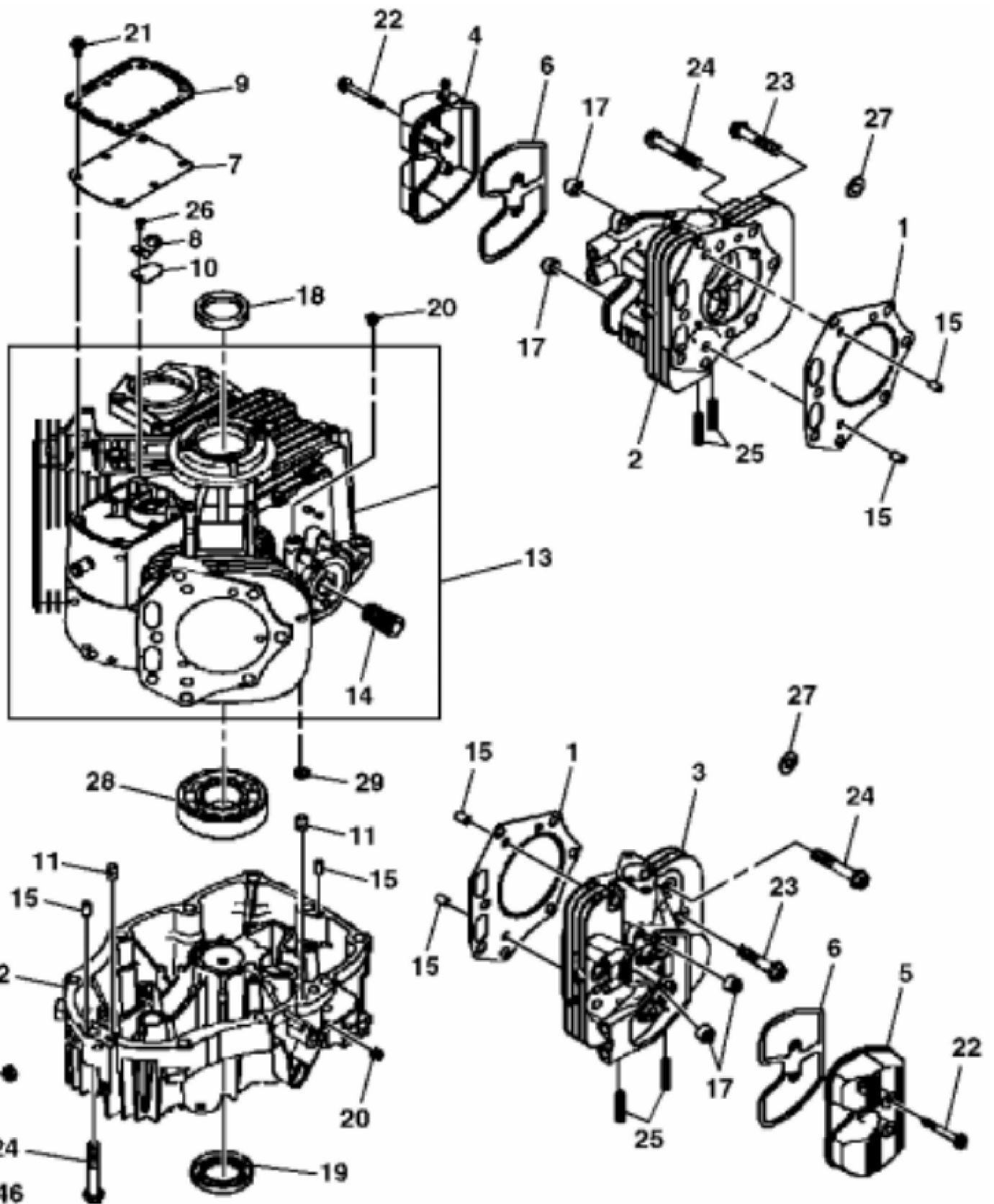


MP64268

KEY	PART NO.	PART NAME	QTY	Serial No.	REMARKS	
1	MIA10825	GASOLINE ENGINE	1	____-020000	NLA; ORDER MIA11915; MARKED FX751V-AS04	
1	MIA11915	GASOLINE ENGINE	1	020001-____	NLA; ORDER MIA12053; MARKED FX751V-BS04	
1	MIA12053	GASOLINE ENGINE	1		NLA; ORDER MIA12162	
1	MIA12162	GASOLINE ENGINE	1		NLA; ORDER MIA12255	
1	MIA12255	GASOLINE ENGINE	1		MARKED FX801V-AS11R; ORDER MIA13101	
1	MIA13101	GASOLINE ENGINE	1		MARKED FX801V-BS11-R	
2	19H3693	SCREW	4		3/8" X 1-1/4"	

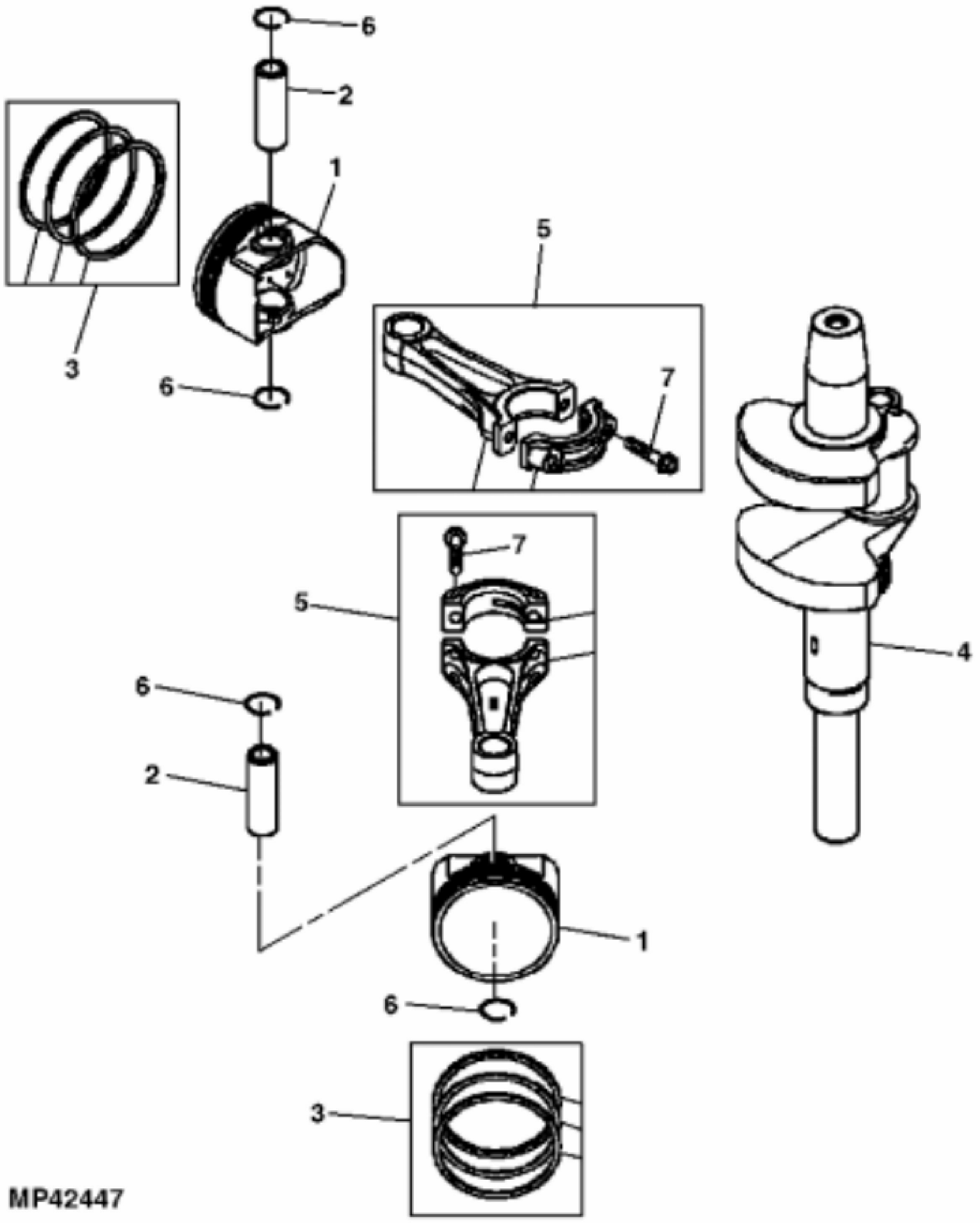


MP42446

John Deere > Turf And Utility >TRACTOR, LAWN AND GARDEN >Z925A - TRACTOR, LAWN AND GARDEN >Z925A ZTrak Pro Series Mower >20 ENGINE TCM12339 >ST417589 - CYLINDER HEADS AND CRANKCASE

KEY	PART NO.	PART NAME	QTY	REMARKS
1	MIU11760	ENGINE CYLINDER HEAD GASKET	2	
2	UC11383	CYLINDER HEAD	1	SUB FOR MIU11761; No. 1
3	MIU11762	CYLINDER HEAD	1	NO. 2
4	MIU11763	CASE	1	
5	MIU11764	CASE	1	
6	MIU14057	GASKET	2	SUB FOR MIU11765
7	MIU11766	GASKET	1	BREATHER
8	MIU11767	PLATE	1	NLA; ORDER MIU13821; Breather
8	MIU13821	PLATE	1	Breather
9	MIU11768	COVER	1	BREATHER
10	MIU11769	VALVE	1	BREATHER
11	MIU14507	PIPE	1	SUB FOR MIU11770
12	MIA11493	COVER	1	CRANKCASE
13	MIA12315	CRANKCASE	1	NLA; ORDER MIA12732; SUB FOR MIA11492
13	MIA12732	CRANKCASE	1	INCLUDES MIU13981
14	MIU14223	HOSE FITTING	1	SUB FOR M127431 APPL
15	MIU11772	PIN	6	NLA; ORDER M74252
15	M74252	PIN	6	
16	M138392	SEAL	1	NLA; ORDER M151774
16	M151774	SEAL	1	
17	M152964	SEAL	4	
18	MIU11773	SEAL	1	
19	MIU11774	SEAL	1	
20	M147270	PLUG	1	NLA; ORDER MIU14001
20	MIU14001	PLUG	1	
21	MIU11325	BOLT	6	M6 X 12
22	MIU11775	BOLT	4	M6 X 50
23	MIU11776	BOLT	2	M10 X 50
24	MIU11777	BOLT	20	M10 X 60
25	M138395	STUD	4	NLA; ORDER MIU11736
25	MIU11736	BOLT	4	NLA; ORDER MIU12726
25	MIU12726	STUD	4	
26	21M7244	SCREW	1	M4 X 8
27	24M7096	WASHER	2	10.500 X 18 X 1.600 mm

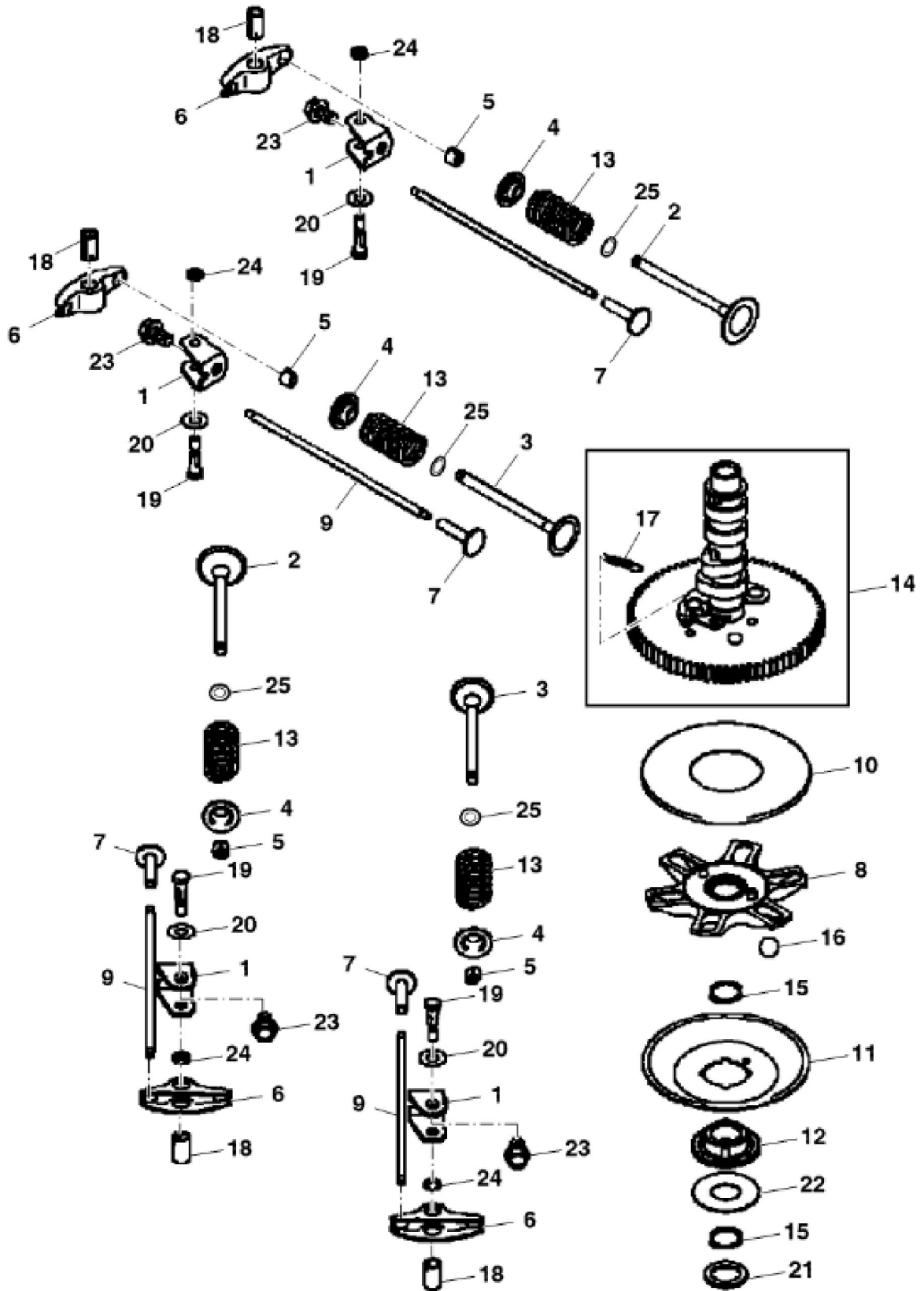
KEY	PART NO.	PART NAME	QTY	REMARKS	
28	MIU11779	BALL BEARING	1	ORDER MIU13981	
28	MIU13981	BALL BEARING	1		
29	M76104	O-RING	2		



MP42447

John Deere > Turf And Utility >TRACTOR, LAWN AND GARDEN >Z925A - TRACTOR, LAWN AND GARDEN >Z925A ZTrak Pro Series Mower >20 ENGINE TCM12339 >ST417590 - PISTON AND CRANKSHAFT

KEY	PART NO.	PART NAME	QTY	REMARKS
1	MIU11780	PISTON	2	
2	MIU11781	PISTON PIN	2	
3	MIA11247	PISTON RING KIT	2	
4	MIA11248	CRANKSHAFT	1	
5	MIA11249	CONNECTING ROD	2	ORDER MIA13083
5	MIA13083	CONNECTING ROD	2	
6	MIU11782	SNAP RING	4	NLA; ORDER MIU13987
6	MIU13987	SNAP RING	4	
7	M147310	BOLT	4	M7 X 35.2



Thank you so much for reading.
Please click the “Buy Now!”
button below to download the
complete manual.



After you pay.

You can download the most
perfect and complete manual in
the world immediately.

Our support email:

ebooklibonline@outlook.com