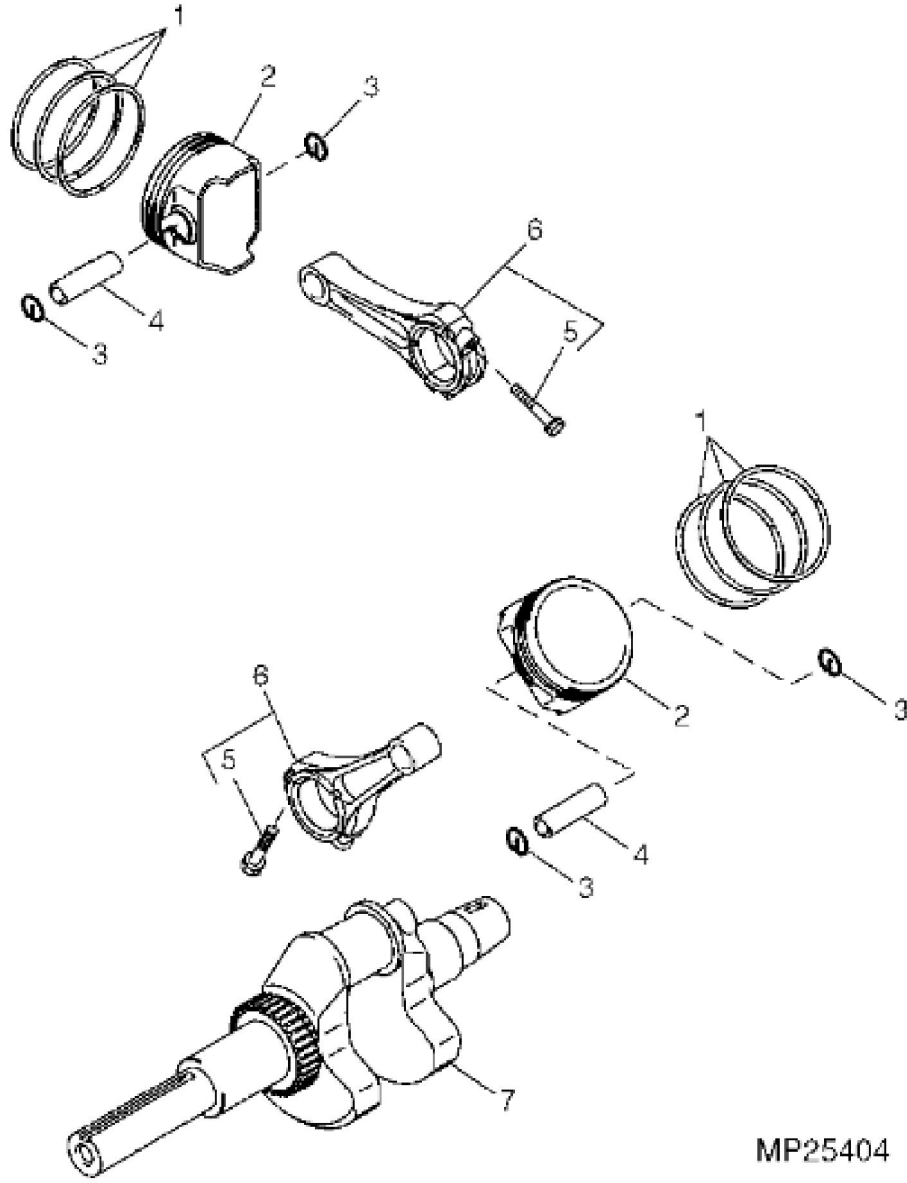


## HEADS AND CRANKCASE

KEY	PART NO.	PART NAME	QTY	REMARKS
1	M146871	PIPE	1	
2	M138388	PIN	6	
3	M147908	ENGINE CYLINDER HEAD GASKET	2	(SUB FOR M140217)
4	AM135296	CYLINDER HEAD	1	(NO.2) (SUB FOR AM128732 OR AM132396)
5	M138394	BOLT	2	NLA; ORDER MIU11322
5	MIU11322	BOLT	2	
6	M140221	GASKET	2	ROCKER CASE
7	19M8477	CAP SCREW	4	M6 X 40
8	M146867	VALVE COVER	1	(CYLINDER HEAD NO.1)
8	M140218	VALVE COVER	1	(CYLINDER HEAD NO.2)
9	M138389	SEAL	4	OIL (SUB FOR M149280)
10	19M8319	SCREW	18	M8 X 50, (SUB FOR M138393 OR MIU11326)
11	M138395	STUD	4	NLA; ORDER MIU11736
11	MIU11736	BOLT	4	NLA; ORDER MIU12726
11	MIU12726	STUD	4	
12	19M7774	SCREW	4	M6 X 12
13	M140224	COVER	1	
14	M140222	GASKET	1	BREATHER
15	M146872	PIPE	1	(SUB MIU11522 AND MIU11523)
15	MIU11522	PIPE	1	
15	MIU11523	GASKET	1	O-RING
16	M149281	SEAL	1	OIL (SUB FOR M138390)
17	14M7396	LOCK NUT	4	M8
18	MIA10529	CRANKCASE	1	NLA (SUB FOR AM132125 OR AM132474) (SUB MIA11106, MIA11108, MIA11197, MIU11231 AND M153043) (FH721D-BS04, CS04, DS04)
18	MIA11106	CRANKCASE	1	
19	TCA17360	DRAIN VALVE	1	(SUB FOR TCA12370 OR TCA16240)
20	M88478	O-RING	2	
21	M138425	PLUG	2	
22	M146869	VALVE	1	REED ASSEMBLY
23	21M7244	SCREW	2	M4 X 8
24	MIU10794	GASKET	1	CRANKCASE (SUB FOR M146868)

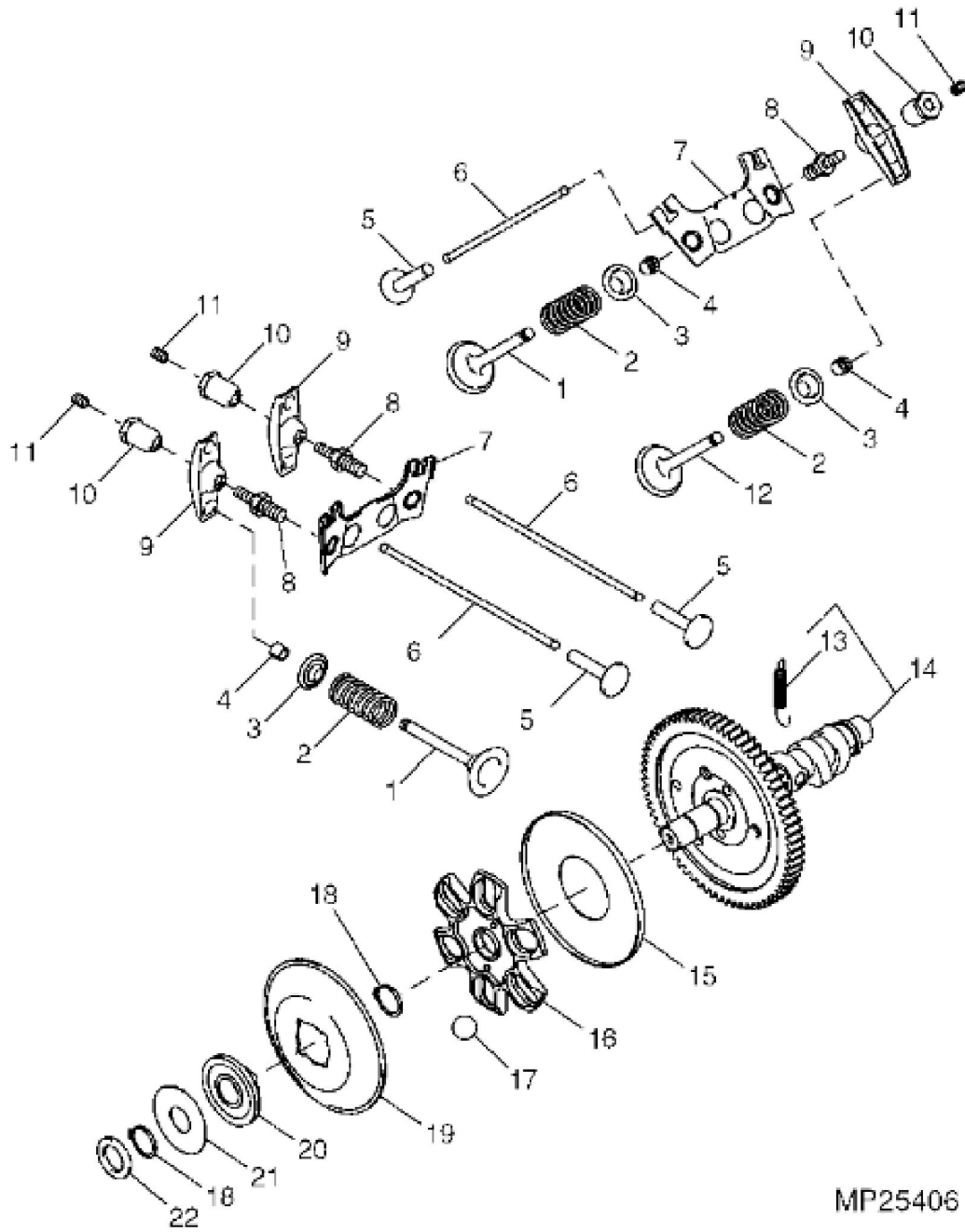
KEY	PART NO.	PART NAME	QTY	REMARKS
25	MIA11447	COVER	1	CRANKCASE (SUB FOR M146873 OR M150450 OR M153200 OR M153043)
25	MIU10933	BUSHING	1	
26	M140231	SNAP RING	1	
27	MIU11104	SEAL	1	OIL (SUB FOR M146874)
28	M138392	SEAL	1	NLA; ORDER M151774; Oil
28	M151774	SEAL	1	
29	MIA10402	CYLINDER HEAD	1	(NO.1) (SUB FOR AM128731 OR AM132473)
30	19M8318	SCREW	4	M8 X 45
31	AM131193	GASOLINE ENGINE	1	NLA; ORDER AM134527; MARKED FH721D-BS04; Not Illustrated
31	AM134527	GASOLINE ENGINE	1	NLA; ORDER MIA10511; Not Illustrated
31	MIA10511	GASOLINE ENGINE	1	NLA; ORDER MIA11008; Not Illustrated
31	MIA11440	GASOLINE ENGINE	1	NLA; ORDER MIA12135; SUB FOR MIA11008; MARKED FH721D-FS04; Not Illustrated
31	MIA12135	GASOLINE ENGINE	1	MARKED FH721D-GS04-S; Not Illustrated



MP25404

John Deere > Turf And Utility >TRACTOR, LAWN AND GARDEN >FH721D - TRACTOR, LAWN AND GARDEN >757 Mid-Mount ZTrak (Worldwide Edition) >20 ENGINE MIA12135 >ST576340 - PISTON AND CRANKSHAFT

KEY	PART NO.	PART NAME	QTY	REMARKS
1	AM128738	PISTON RING KIT	2	STANDARD
1	AM132069	PISTON RING KIT	AR	FOR .5MM OVERSIZE BORE
2	M143319	PISTON	2	STANDARD
2	M146875	PISTON	AR	FOR .5MM OVERSIZE BORE
3	M138398	SNAP RING	4	(SUB FOR M140233)
4	M138397	PISTON PIN	2	
5	M146763	BOLT	2	
6	AM132025	CONNECTING ROD	2	(FH721D-BS04, CS04)
6	MIA10804	CONNECTING ROD	2	(FH721D-DS04, ES04)
7	AM132070	CRANKSHAFT	1	(SUB MIA11106 AND MIA11108)
7	MIA11108	CRANKSHAFT	1	NLA; ORDER MIA12714
7	MIA12714	CRANKSHAFT	1	



MP25406

Thank you so much for reading.  
Please click the “Buy Now!”  
button below to download the  
complete manual.



After you pay.

You can download the most  
perfect and complete manual in  
the world immediately.

Our support email:

[ebooklibonline@outlook.com](mailto:ebooklibonline@outlook.com)