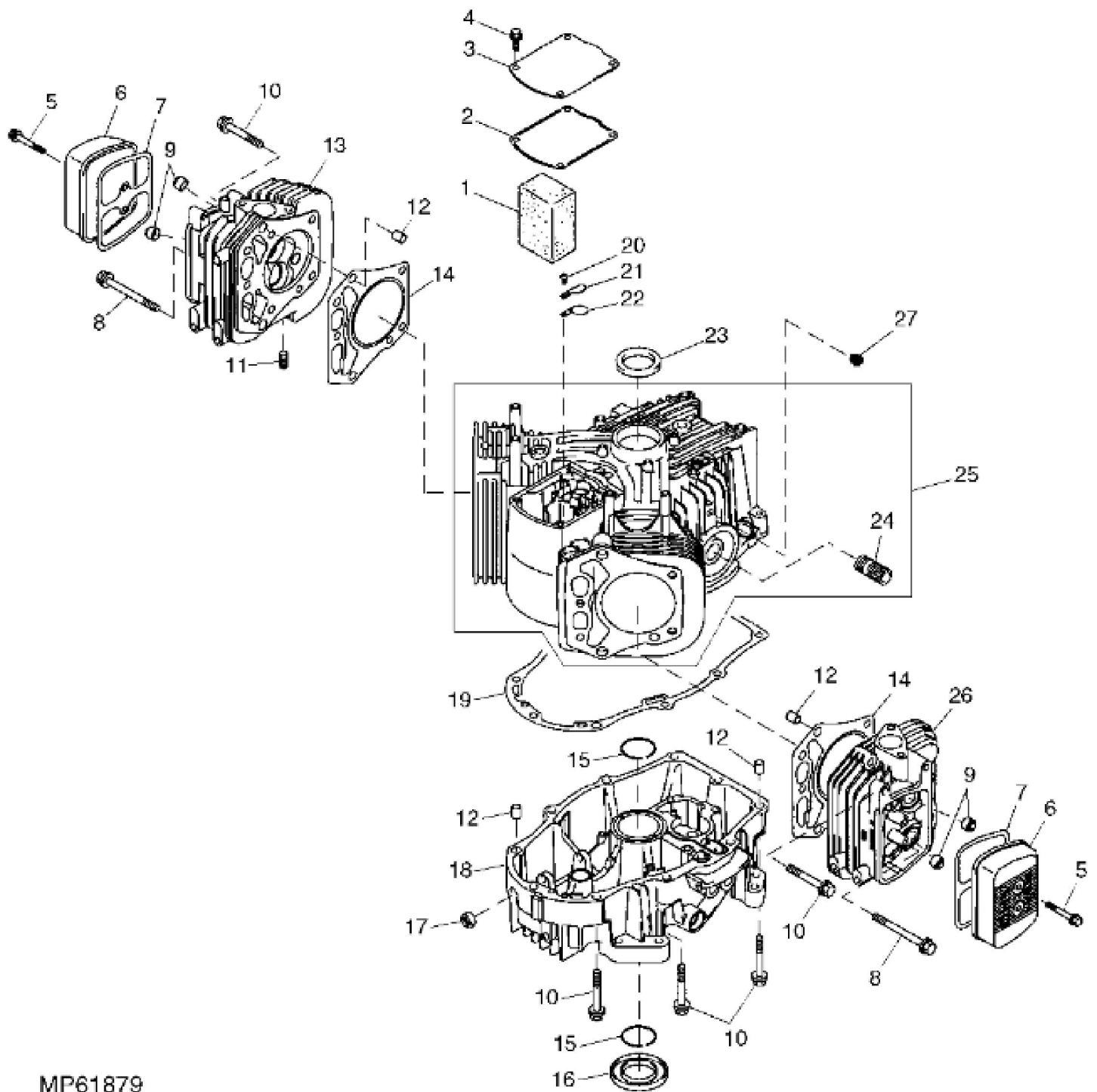


MP61878

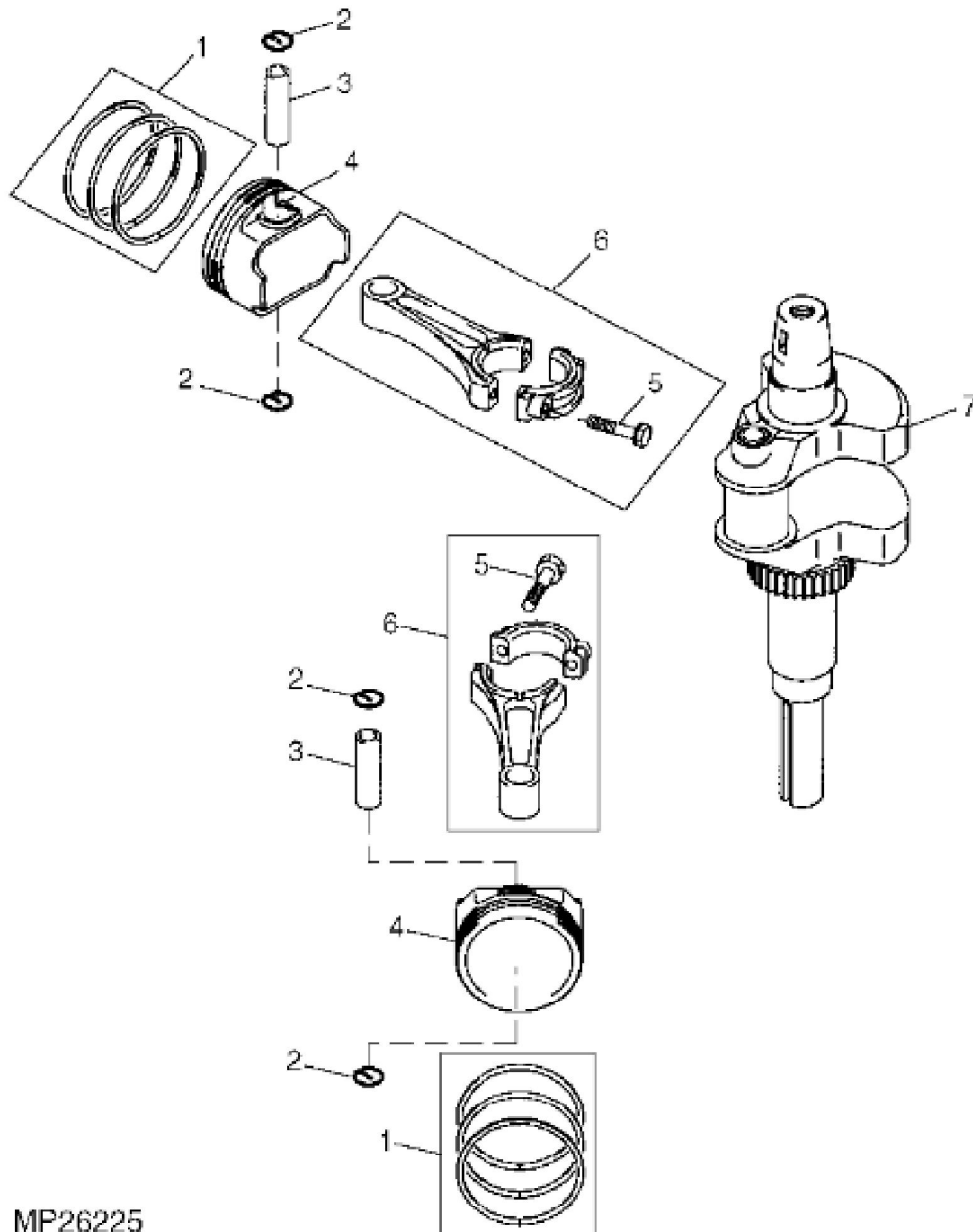
| KEY | PART NO. | PART NAME | QTY | Serial No. | REMARKS | |
|-----|----------|-----------------|-----|-------------|--------------------------------------|--|
| 1 | AM134460 | GASOLINE ENGINE | 1 | | (FH680V-AS34) (SUB MIA10508) | |
| 1 | MIA10508 | GASOLINE ENGINE | 1 | | (FH680V-BS34) (ORDER MIA10990 (NLA)) | |
| 2 | 14M7166 | LOCK NUT | 4 | | M8 | |
| 3 | TCA16240 | DRAIN VALVE | 1 | ____-030209 | (SUB FOR TCA12370) | |
| 3 | TCA17360 | DRAIN VALVE | 1 | 030210-____ | | |
| 4 | 19M7897 | SCREW | 4 | | M8 X 35 | |



MP61879

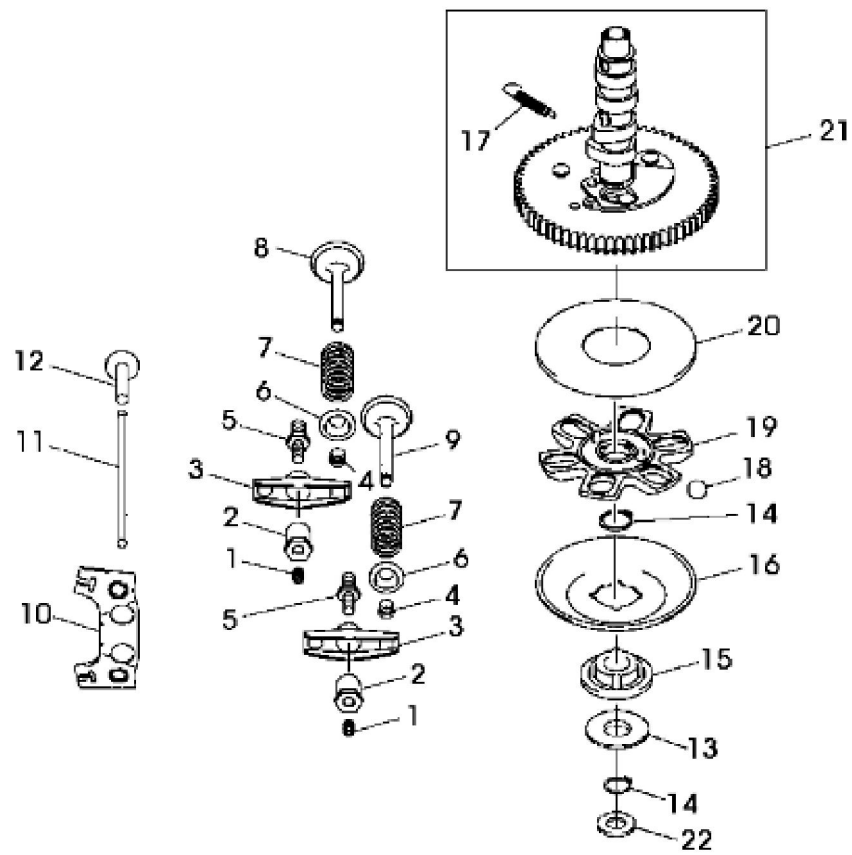
| KEY | PART NO. | PART NAME | QTY | REMARKS |
|-----|----------|-----------------------------|-----|----------------------------------|
| 1 | M141350 | FILTER ELEMENT | 1 | ORDER MIA11393; Breather |
| 2 | M140222 | GASKET | 1 | USE WITH AM134460 |
| 2 | MIU11731 | GASKET | 1 | (A); USE WITH MIA10990 |
| 3 | M140224 | COVER | 1 | USE WITH AM134460 |
| 3 | MIU11732 | COVER | 1 | (A); USE WITH MIA10990 |
| 4 | 19M7774 | SCREW | 4 | M6 X 12, USE WITH AM134460 |
| 4 | 19M7775 | SCREW | 4 | M6 X 16, (A); USE WITH MIA10990 |
| 5 | 19M8477 | CAP SCREW | 4 | M6 X 40 |
| 6 | M140218 | CASE | 2 | |
| 7 | M140221 | GASKET | 2 | |
| 8 | M138394 | BOLT | 2 | NLA; ORDER MIU11322 |
| 8 | MIU11322 | BOLT | 2 | |
| 9 | M138389 | SEAL | 4 | |
| 10 | MIU11326 | BOLT | 18 | SUB FOR M138393 |
| 11 | M138395 | STUD | 4 | NLA; ORDER MIU11736 |
| 11 | MIU11736 | BOLT | 4 | NLA; ORDER MIU12726 |
| 11 | MIU12726 | STUD | 4 | |
| 12 | M138388 | PIN | 6 | |
| 13 | MIA10402 | CYLINDER HEAD | 1 | Cylinder No. 1; SUB FOR AM132473 |
| 14 | M147908 | ENGINE CYLINDER HEAD GASKET | 2 | |
| 15 | M140231 | SNAP RING | 2 | |
| 16 | M149282 | SEAL | 1 | |
| 17 | M138392 | SEAL | 1 | NLA; ORDER M151774 |
| 17 | M151774 | SEAL | 1 | |
| 18 | M150623 | COVER | 1 | FH680V-AS34 |
| 18 | MIU11292 | COVER | 1 | FH680V-BS34 |
| 19 | M140220 | GASKET | 1 | |
| 20 | 21M7244 | SCREW | 1 | M4 X 8 |
| 21 | M140223 | PLATE | 1 | |
| 22 | M140229 | VALVE | 1 | |
| 23 | M150948 | SEAL | 1 | |
| 24 | M127431 | ADAPTER FITTING | 1 | |
| 25 | AM133930 | CRANKCASE | 1 | |
| 26 | AM135296 | CYLINDER HEAD | 1 | Cylinder No. 2 |
| 27 | M147276 | VALVE | 1 | |

| KEY | PART NO. | PART NAME | QTY | REMARKS | |
|-----|----------|-----------|-----|--------------------------|--|
| .. | MIA11393 | COVER KIT | 1 | Includes Part Marked (A) | |



MP26225

| KEY | PART NO. | PART NAME | QTY | REMARKS | |
|-----|----------|-----------------|-----|------------------------|--|
| 1 | AM128738 | PISTON RING KIT | 2 | STD (SUB FOR AM132025) | |
| 1 | AM132069 | PISTON RING KIT | 1 | 0.50 MM (0.020") OS | |
| 2 | M138398 | SNAP RING | 4 | (SUB FOR M140233) | |
| 3 | M138397 | PISTON PIN | 2 | | |
| 4 | M143319 | PISTON | 2 | STD | |
| 4 | M146875 | PISTON | 1 | 0.50 MM (0.020") OS | |
| 5 | M146763 | BOLT | 4 | | |
| 6 | MIA10804 | CONNECTING ROD | 2 | (SUB FOR AM132025) | |
| 7 | AM133965 | CRANKSHAFT | 1 | | |



PU00581

Thank you so much for reading.
Please click the “Buy Now!”
button below to download the
complete manual.



After you pay.

You can download the most
perfect and complete manual in
the world immediately.

Our support email:

ebooklibonline@outlook.com