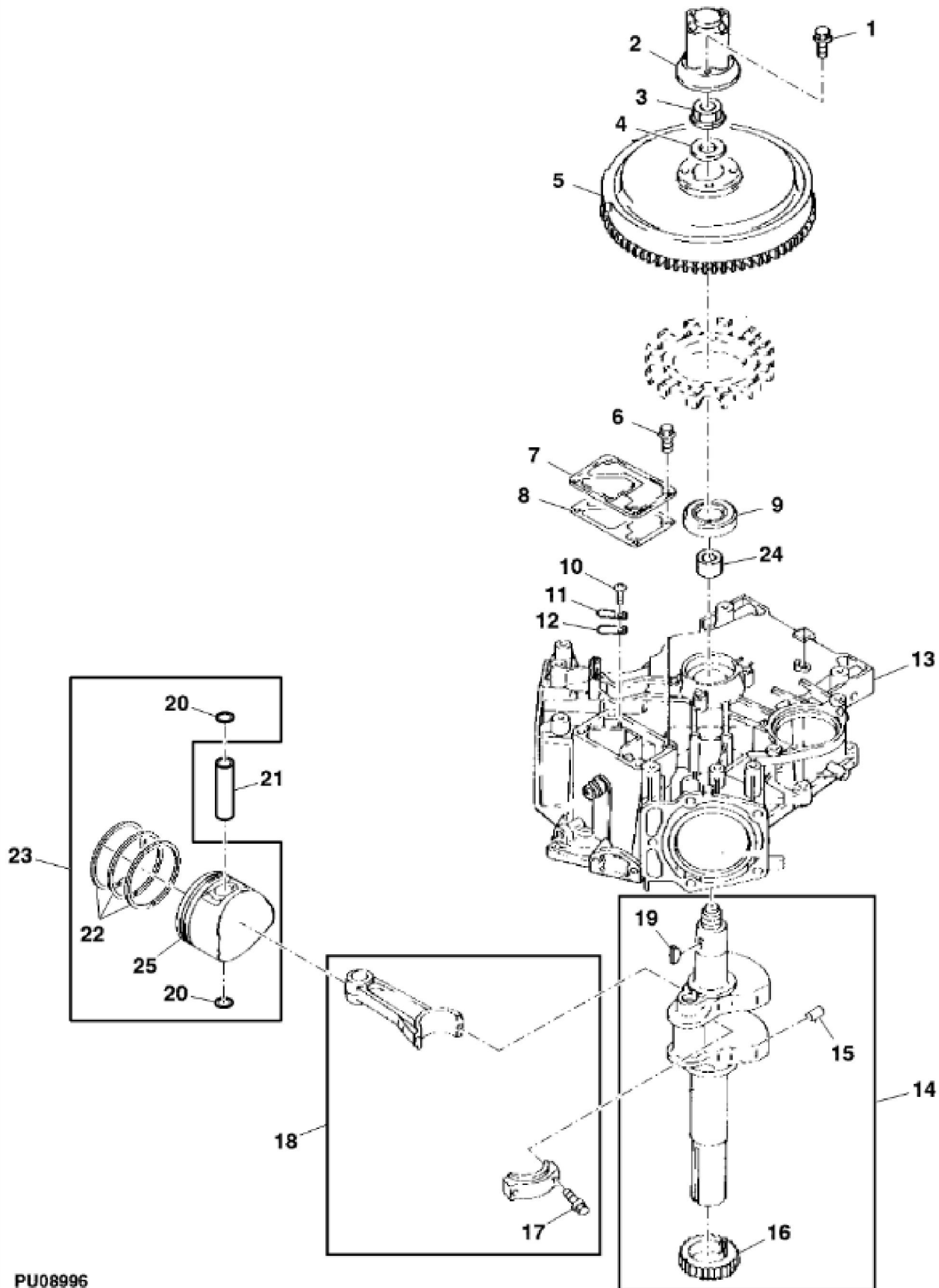
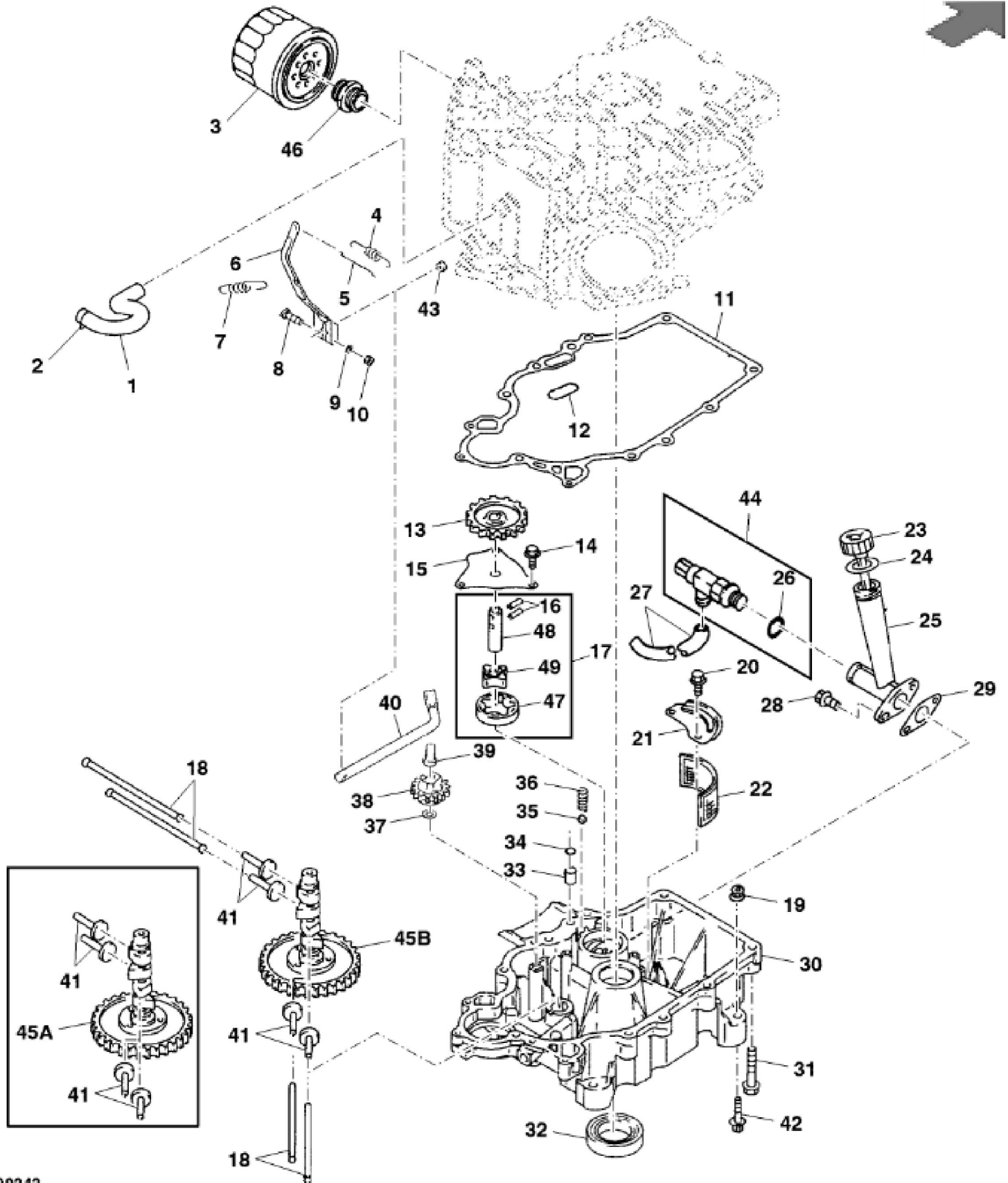


MP5937

KEY	PART NO.	PART NAME	QTY	Serial No.	REMARKS
1	AM119770	SHORT BLOCK ASSEMBLY	1		(FD590V-AS03, FD590V-BS03) (W/PLASTIC CAM GEAR), (SUB FOR AM106255) (SUB AM128210)
1	AM127300	SHORT BLOCK ASSEMBLY	1		(FD590V-CS03) (W/STEEL CAM GEAR), (SUB AM128210)
1	AM128210	SHORT BLOCK ASSEMBLY	1		(FD590V-DS03) (W/STEEL CAM GEAR)
..	AM105303	GASOLINE ENGINE	1		FD590V-AS03 (DO NOT USE FOR CALIFORNIA SALES) (NLA), (SUB AM128210)
..	AM122316	GASOLINE ENGINE	1	054369-106310	FD590V-BS03 (CARB CERTIFIED) (MEETS CALIFORNIA EMISSIONS CONTROL) (NLA), (SUB AM128210)
..	AM127286	SHORT ENGINE	1	106864-____	FD590V-CS03 (EPA CERTIFIED) (NLA), (SUB AM128210)
..	AM128209	GASOLINE ENGINE	1		FD590V-DS03 (EPA CERTIFIED) (NLA), (SUB AM128210)
..	AM131142	GASOLINE ENGINE	1	____-120666	FD590V-ES03 (EPA CERTIFIED) (NLA), (SUB AM128210)
..	MIA10372	GASOLINE ENGINE	1	120667-____	FD590V-FS03 (EPA CERTIFIED) (NLA), (SUB AM128210)

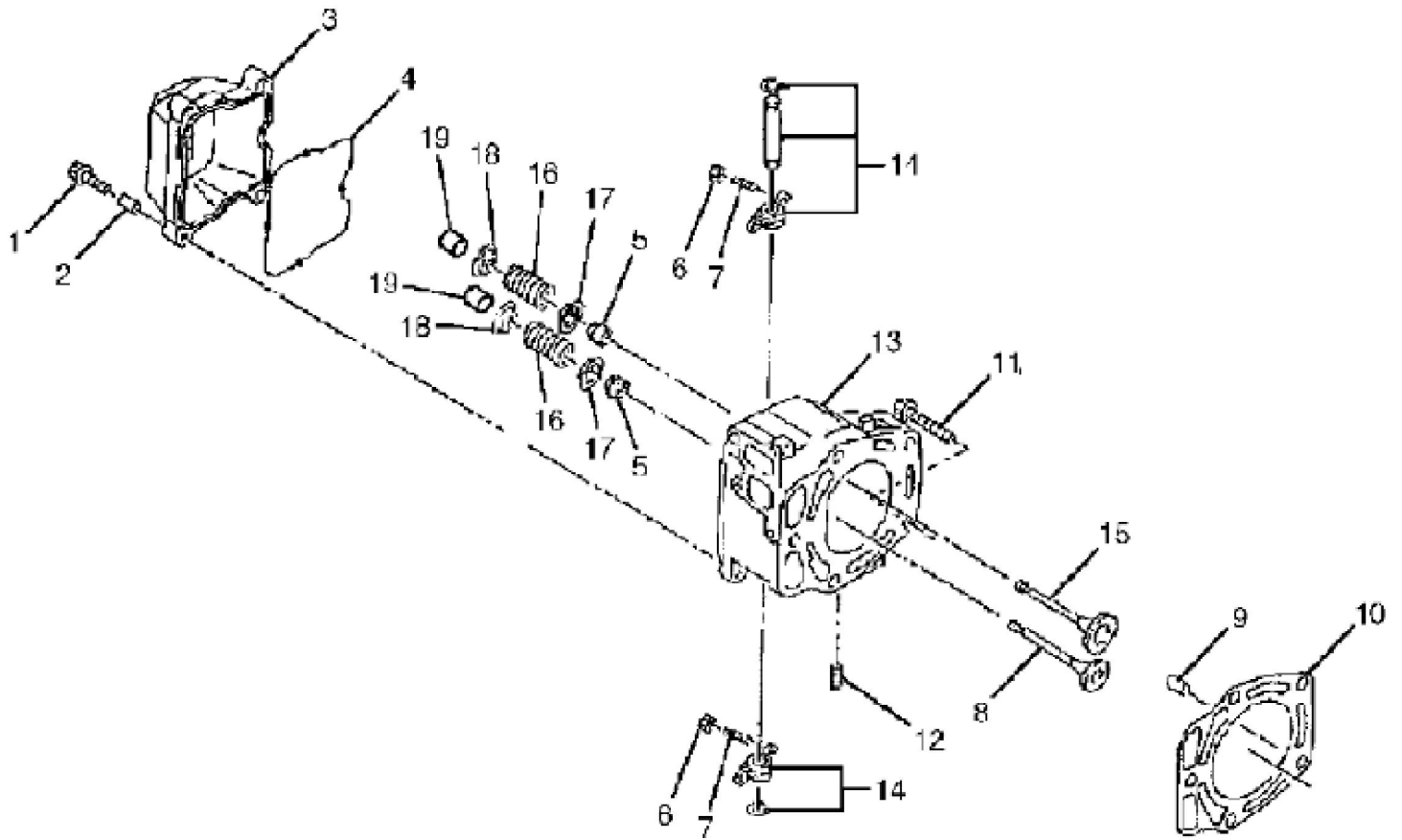


KEY	PART NO.	PART NAME	QTY	REMARKS
1	19M7862	SCREW	4	M6 X 20
2	M76190	BRACKET	1	
3	M74275	NUT	1	
4	M76165	WASHER	1	
5	AM105570	FLYWHEEL	1	
6	19M7865	SCREW	4	M8 X 16
7	M76123	COVER	1	
8	M113676	GASKET	1	SUB FOR M76126
9	M76154	SEAL	1	SUB FOR M76128
10	M95848	SCREW	2	
11	M76124	PLATE	2	
12	M76125	VALVE	2	Breather
13	AM121223	CRANKCASE	1	INCLUDES M97316; Complete
14	UC12440	CRANKSHAFT	1	SUB FOR AM105564
15	M76122	DOWEL PIN	1	NLA
16	M76121	GEAR	1	
17	M147310	BOLT	4	SUB FOR PT12040
18	MIA12487	CONNECTING ROD	2	SUB FOR AM133731 AND AM105565
18	AM106252	CONNECTING ROD	2	0.50 mm (0.02") US, NLA;
18	MIA12608	CONNECTING ROD	1	SUB FOR AM133732
19	M77843	SHAFT KEY	1	
20	M76120	SNAP RING	AR	
21	M76119	PIN	2	PISTON
22	AM105554	PISTON RING KIT	1	STD
22	AM105562	PISTON RING KIT	2	0.50 mm (0.02") OS
23	AM116415	PISTON REPLACEMENT KIT	2	NLA; ORDER AM105554, M76120 AND M96545
23	AM116416	PISTON RING KIT	2	NLA; ORDER AM105562, M76120 AND M76096
24	MIU12135	BEARING	1	SUB FOR M97316
25	M96545	PISTON	1	
25	M76096	PISTON	2	



KEY	PART NO.	PART NAME	QTY	REMARKS
1	M118833	TUBE	1	(SUB FOR M76129)
2	M77734	CLAMP	2	
3	AM107423	OIL FILTER	1	
4	M76108	SPRING	1	(TO CARBURETOR)
5	M76107	LINK	1	
6	M76106	ARM	1	GOVERNOR
7	M117884	SPRING	1	(NORTH AMERICAN) GOVERNOR
7	M115800	SPRING	1	(NLA) (GOVERNOR) (EUROPEAN)
8	M70085	BOLT	1	
9	24M7088	WASHER	1	6.600 X 12 X 1.600 mm
10	14M7272	NUT	1	M6
11	M139016	GASKET	1	(SUB FOR M76153, M113677 OR M117934)
12	M76103	O-RING	1	
13	M76098	GEAR	1	SPUR
14	19M7775	SCREW	3	M6 X 16
15	M76101	COVER	1	OIL PUMP
16	M127265	DOWEL PIN	2	(SUB FOR M76099)
17	AM109371	ROTOR KIT	1	INCLUDES (2) M127265, M76140, M76141 AND MIU10853; Rotor Pump
18	M76088	PUSH ROD	4	
19	14M7298	FLANGE NUT	1	M8, OUTER
20	19M7775	SCREW	2	M6 X 16
21	M76100	PLATE	1	
22	M97206	SCREEN	1	OIL FILTER
23	M76156	DIPSTICK	1	OIL
24	M88482	GASKET	1	(A)
25	M119329	FILLER NECK	1	(SUB FOR M97368)
26	51M7042	O-RING	1	13.300 X 2.200 mm
27	.....	HOSE	1	300MM (11.81"), OIL DRAIN, (MAKE FROM TY22562) (SUB FOR M76926)
28	19M7863	SCREW	2	M6 X 25
29	M113678	GASKET	1	(A)
29	M76158	GASKET	1	ID 16 X OD 24 X T 1.0
29	PT13876	GASKET	1	ID 16.2 X OD 24 X T 2.5
29	PT14207	DRAIN PLUG	1	

KEY	PART NO.	PART NAME	QTY	REMARKS
30	M119092	COVER	1	CRANKCASE (SUB FOR M94626)
31	19M8318	SCREW	8	M8 X 45
32	M76154	SEAL	1	SUB FOR M76128
33	M70227	PIN	2	
34	M76104	O-RING	1	
35	M76105	BALL	1	STEEL
36	M76102	SPRING	1	
37	M95856	WASHER	1	(SUB FOR M88496)
38	AM105569	GOVERNOR	1	
39	PT9996	SLEEVE	1	GOVERNOR (PLASTIC W LEGS)
40	M76155	ARM	1	PIVOT
41	M76089	TAPPET	4	
42	19M7799	SCREW	1	M8 X 45, RH FRONT ENGINE-TO-FRAME BOLT, FOR GROUND
42	19M7897	SCREW	3	M8 X 35, ENGINE TO FRAME
43	M88987	SEAL	1	
44	AM115362	DRAIN VALVE	1	OIL DRAIN
45A	AM109387	CAMSHAFT	1	NLA, PLASTIC GEAR (INCLUDES TAPPETS) (FD590V-AS03, FD590V-BS03), (SUB AM127312 AND (4) M76089)
45B	AM127312	CAMSHAFT	1	STEEL GEAR (FD590V-CS03)
46	M127431	ADAPTER FITTING	1	
47	M76141	ROTOR	1	PUMP
48	MIU10853	SHAFT	1	OIL PUMP, (SUB FOR M76142)
49	M76140	ROTOR	1	
..	AM109035	KIT	1	(NLA) PLUG (INCLUDES PARTS MARKED (A))



PU00474

Thank you so much for reading.  
Please click the “Buy Now!”  
button below to download the  
complete manual.



After you pay.

You can download the most  
perfect and complete manual in  
the world immediately.

Our support email:

[ebooklibonline@outlook.com](mailto:ebooklibonline@outlook.com)