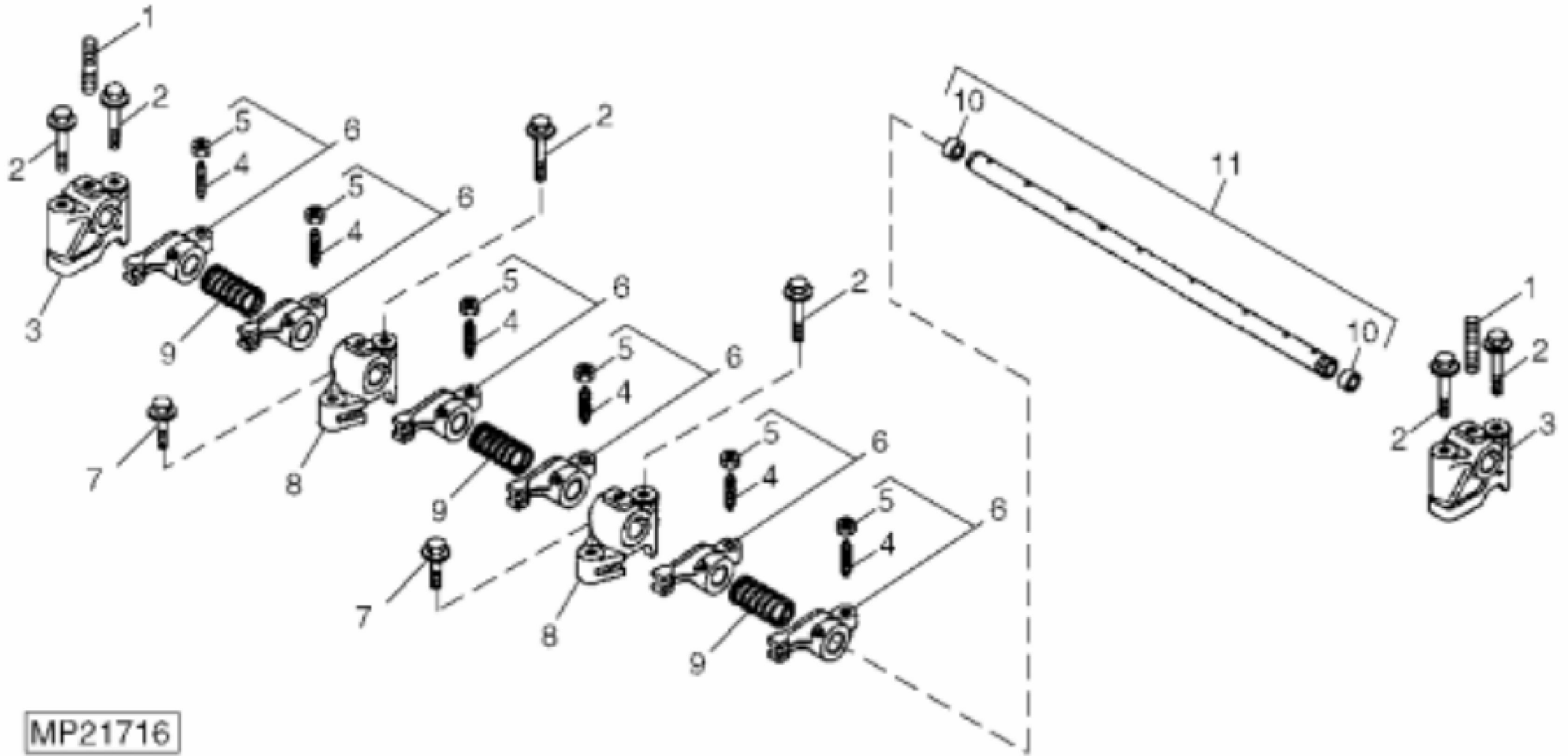


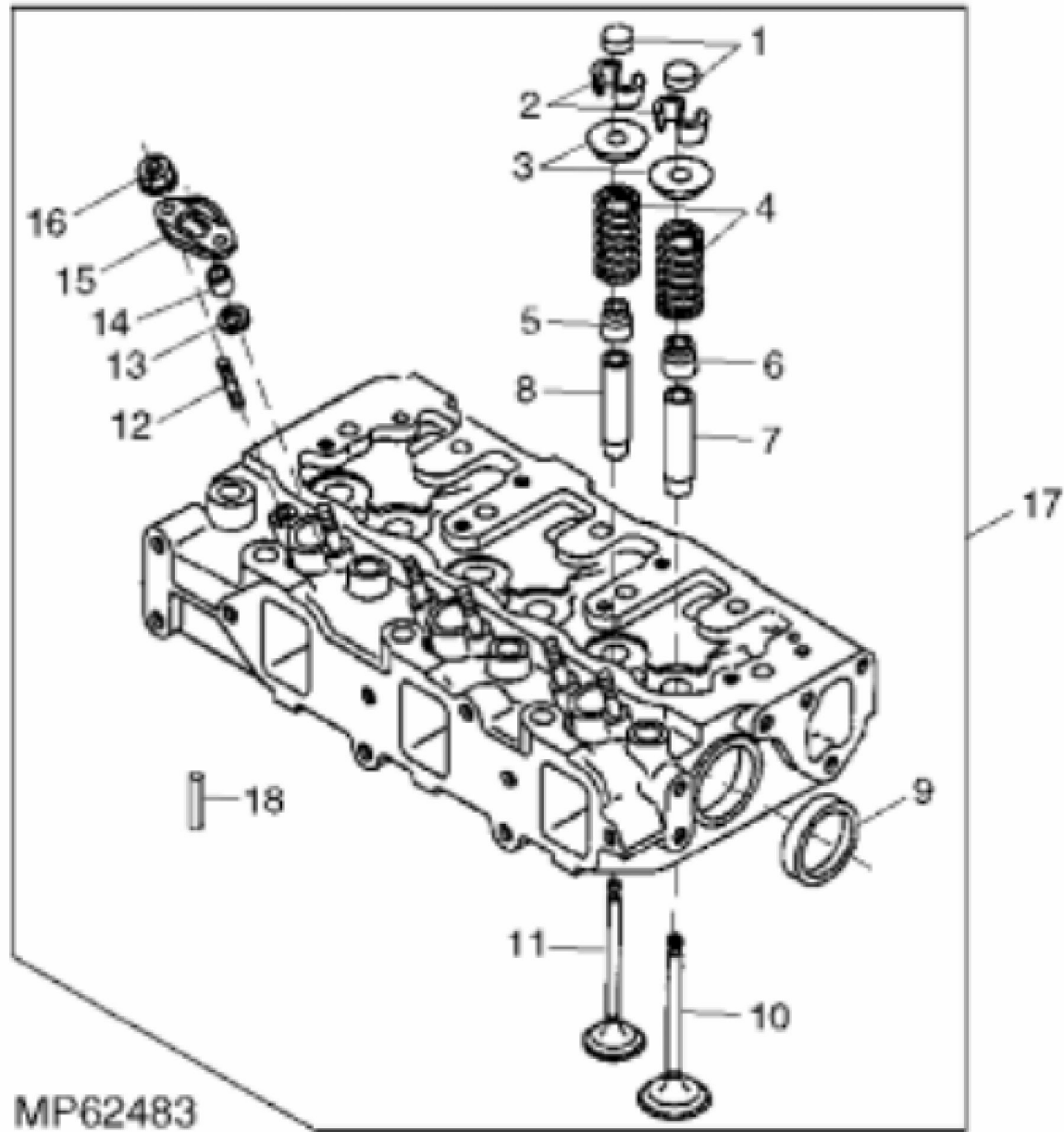
John Deere > Turf And Utility > MOWER, TURF SYSTEM > 3235B - MOWER, TURF SYSTEM > 3235B Lightweight Fairway Mowers (Worldwide Edition) > 21 ENGINE AMT2686 > ST588592 - CYLINDER HEAD COVER AND GASKETS

KEY	PART NO.	PART NAME	QTY	REMARKS
1	CH10348	NUT	3	
2	CH10568	PACKING	3	
3	M801741	PACKING	1	
4	M801032	DEFLECTOR	1	
5	M805710	CAP	1	
6	M805711	PACKING	1	
7	19M7865	SCREW	2	M8 X 16
8	M801031	CAP	1	BREATHER
9	M801033	PLATE	1	
10	M801034	O-RING	1	
11	AT110858	VALVE COVER	1	(NLA)
12	ET14229	PIPE	1	
13	ET14230	HOSE CLAMP	1	
14	CH10061	RIVET	4	



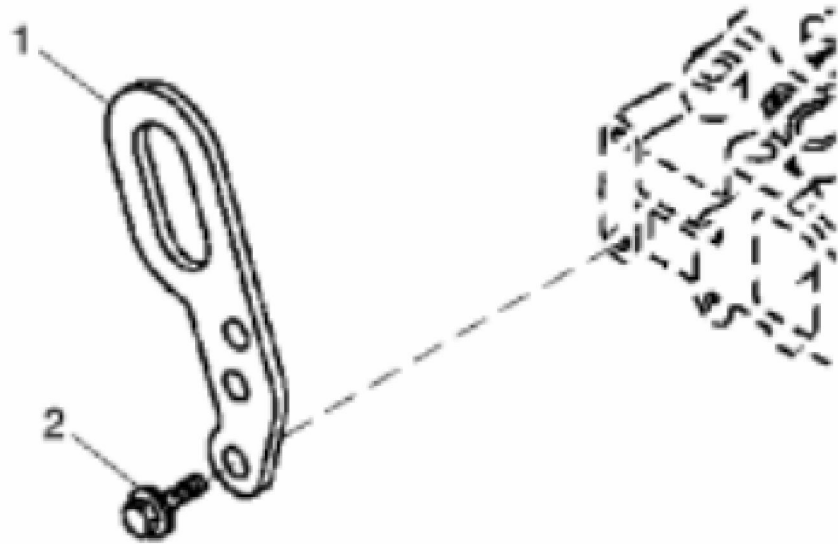
MP21716

KEY	PART NO.	PART NAME	QTY	REMARKS	
1	M801024	STUD	3		
2	19M7800	SCREW	6	M8 X 50	
3	M801022	SUPPORT	2		
4	M801027	SCREW	6		
5	M801028	NUT	6		
6	AM875383	ARM	6		
7	19M7867	SCREW	2	M8 X 25	
8	M801023	SUPPORT	2		
9	M801025	SPRING	3		
10	M800002	PLUG	2		
11	AM875534	SHAFT	1		

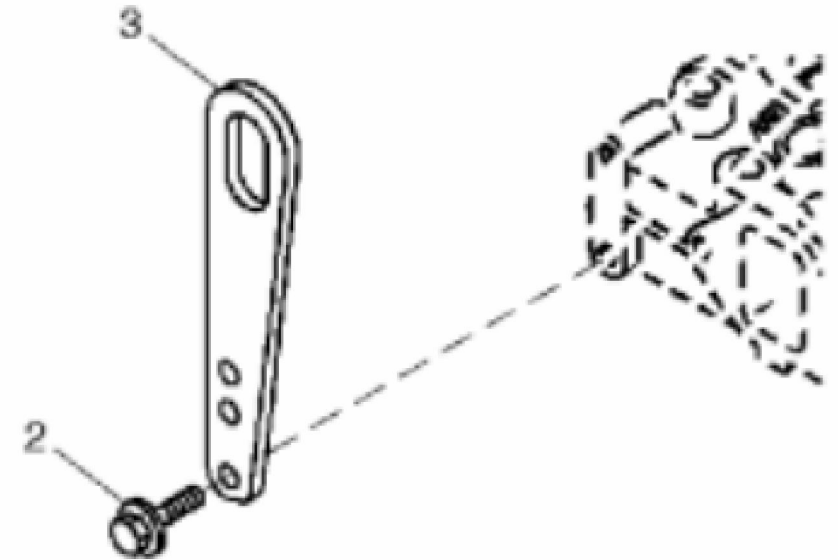


MP62483

KEY	PART NO.	PART NAME	QTY	REMARKS
1	M801224	CAP	6	
2	AM878862	RETAINER KIT	6	(PKG. OF 2 SIDES), VALVE RETAINER
3	M801223	RETAINER	6	
4	M801222	SPRING	6	
5	T110650	SEAL	3	
6	CH10450	SEAL	3	
7	M801227	GUIDE	3	
8	M801228	GUIDE	3	
9	CH16751	PLUG	2	
10	M801220	INTAKE VALVE	3	
11	M811796	EXHAUST VALVE	3	(SUB FOR M801221) (SUB MIU800494)
11	MIU800494	EXHAUST VALVE	3	(SUB FOR M811796)
12	M801219	BOLT	3	
13	M801017	VALVE SEAT	3	
14	M801016	SEAL	3	HEAT PROTECTOR
15	M801018	RETAINER	3	
16	14M7303	FLANGE NUT	6	M6
17	AM878547	CYLINDER HEAD	1	3TNE84A-JF ENGINE
17	AM880362	CYLINDER HEAD	1	3TNE84A-JFE/EJFE/ERJFE ENGINES
18	CH18079	SPRING PIN	2	



MP62481



Thank you so much for reading.  
Please click the “Buy Now!”  
button below to download the  
complete manual.



After you pay.

You can download the most  
perfect and complete manual in  
the world immediately.

Our support email:

[ebooklibonline@outlook.com](mailto:ebooklibonline@outlook.com)